

# ***BroomWade***

## **AIR TECH MADE EASY**



June 2019

[www.broomwade.com](http://www.broomwade.com)

# CONTENTS

## **SCREW COMPRESSORS 2.2 - 90kW 4 - 33**

KA Series	6 - 9
FM Fixed Speed - FM RS Variable Speed Series	10 - 23
FM Fixed Speed - FM RS Variable Speed Series 30 - 75kW Series	24 - 31
KSA / KSV 90 Series	32 - 35

## **SEQUENCE MULTIPLE COMPRESSORS 36 - 39**

## **PISTON COMPRESSORS 40 - 51**

## **RECIPROCATING CAST IRON COMPRESSORS 52 - 55**

## **ROTARY AIR VANE COMPRESSORS 56 - 59**

## **SCROLL COMPRESSORS 60 - 67**

## **DENTAL COMPRESSORS 68 - 73**

## **BREATHING AIR COMPRESSORS 74 - 77**

## **PORTABLE SCREW COMPRESSORS 78 - 81**

## **COMPRESSED AIR TREATMENT 82 - 117**

Compressed Air Filters	86 - 89
Condensate Separators	90 - 91
Refrigeration Compressed Air Dryers	92 - 93
Adsorption Compressed Air Dryers	94 - 98
Membrane Dryers	99
Air Cooled Aftercoolers	100 - 101
Activated Carbon Towers	102 - 103
Compressed Air Equipment	104 - 105
Breathing Air Filter	106 - 107
Breathing Air Filter Plus	108 - 109
Heat Recovery Units	110
Condensate Drains	112 - 113
Oil/Water Separation Equipment	114 - 115
Generators	116

## **AFTERMARKET 118 - 139**

KA02 - KA5 Service Schedule	121
FM7 - FM22 Service Schedule	122
FM30 - FM75 Service Schedule	123
Vane Compressors Service Schedule	124
Scroll Compressors Service Schedule	125
Portables Service Schedule	126
Piston Compressors Service Schedule	127
Compressor Service Kits	128 - 129
Dryer Service Kits	130 - 133
Activated Carbon Towers	134
Filter Guide	135 - 136
Nitrogen Generator Service Kits	137
Service Kits For Legacy Products	138





FIXED & VARIABLE SPEED



# SCREW COMPRESSORS

## 2.2 - 90kW

- Oil flooded
- Single stage rotary screw compressor
- Fixed and variable speed models
- Star / Delta starting
- Pressure range 5 - 13 bar
- Electric motor 2.2kW to 90kW - IE3
- Modular design including receivers and dryers
- C-PRO 1.0, C-PRO 2.0 & C- MASTER
- Extended warranties available





**BroomWade**

KSV90

**BroomWade**

FM11

**BroomWade**

FM22RS

**BroomWade**

**BroomWade**

KA3

# SMART COMPRESSOR DESIGN

## At a glance...

 **Nominal Pressure**  
10 bar g

 **Motor Power**  
2.2 - 5.5kW

 **Volume Flow**  
0.24 - 0.67 m<sup>3</sup>/min



## KA Series

### A series of technologically advanced compressors, resulting from an accurate research and development process

The result is an extremely quiet compressor, environmentally friendly thanks to a reduced power consumption and the use of easily recyclable materials.

### Noise levels

Very low noise levels have been reached (61 - 66 dB(A)) thanks to optimised air and cooling, allowing the installation of the compressor at the point of use.

### Start/Stop operation

The Start/Stop mode reduces the energy consumption as the compressor runs only when needed.

### C-PRO 1.0 control unit (optional for KA 4 and 5)

The C-PRO 1.0 electronic controller provides the user with data on total hours of operation, operating temperature and additional information such as:



- Air filter replacement
- Oil filter replacement
- Separator filter replacement
- Oil change
- Regular maintenance advice
- Pressure setting adjustment can be easily adjusted via the controller

### Air/Oil separation system

Increased reliability combined with reduced piping and connections is made possible by an integrated block acting as air-oil separation and filter. The effectiveness of filtering ensures extremely low levels of residual oil, equal to 3 ppm max. This block houses oil filter, oil separation filter, minimum pressure valve, safety valve, oil thermostat and check valve.



### Suction valve

Improved fluid-mechanical efficiency is ensured by a new vertical design suction valve. Intake-air flows through a straight-line path, which guarantees lower load loss. ON / OFF operation and unloading is controlled via a solenoid valve. This valve concept has been specially designed to keep the number of components to a minimum, so as to ensure long-lasting durability and low maintenance requirements.





## Transmission

The pre-tested belt transmission is installed with balanced cast iron pulleys and bevel bearing. Belts are of quality construction to ensure the utmost reliability. The belt tensioning system has been simplified thanks to a single adjustment screw, which guarantees easier control and replacement.

## Standard equipment

- Star / Delta start (Premium versions)
- C-PRO 1.0 control unit (Premium versions)
- Overload relay
- Start / Stop control key with pressure switch (KA2-KA5)
- Start / Stop push-button. ON / OFF main switch (premium versions)
- IE 3 electric motors, insulation class: F
- Oil level monitoring, visual level indicator
- Transmission belt
- Oil thermostat
- Safety devices for:
  - Motor overheating
  - Compressor overheating, automatic stop at 110 °C
- Indicators of the operating conditions:
  - Pressure
  - Hour meter
- Enclosure with epoxy powder coating

## KA package compressors with cooling cycle dryer, filters and tank

The KA package compressors can be easily and quickly installed in any environment.

## Optional

A series of options are available to ensure a complete and integrated solution. The KA Package compressors can be fitted with a kit of filters complete with by-pass, which guarantee that air is treated before entering the plant, in turn reducing the creation of condensate in the network.





# flexiDry

## CT: Energy saving refrigeration dryers

With the introduction of CT, the new generation of energy-saving refrigeration dryers, our industry not only redeveloped its product offering for the compressed air treatment but also the concept of thermal storage operation, that led to the international success of the CT dryers. The new FlexiDry offers important advantages in terms of energy saving, reliability and operating costs as the CT dryer is able to adapt itself to the real needs of the compressed air system. The dryer regulation system controls the dryer operation, ensuring the most effective method of compressed air drying, in turn achieving high energy saving and excellent dew point stability in dynamic conditions.

- New high efficiency heat exchanger
- Highest energy savings
- Minimum pressure drops
- Lowest environmental impact
- Reduced carbon footprint
- Easy installation
- Easy serviceability
- Maximum reliability



## Maintenance is as easy as ever

### Fast and easy service

These compressors are designed to ensure easy access to maintenance points. All cabinet panels can be easily removed to allow full access to all service points. Also, the limited number of moving parts reduces service costs.





# Technical data

## KA 2–5 Series: Screw Compressors

**Design:** Oil flooded, single stage rotary screw compressor, belt drive, direct start or star / delta starting

**Pressure Range:** 10 bar

**Electric motor:** 2.2 to 5.5kW – IE3



KA SERIES	TYPE	KA2 230V AC-50 hz - 1 Phase CMP1049082B1	KA 2 CMP1026757B1	KA 3 CMP1026766B1	KA 4 CMP1026767B1	KA 5 CMP1026756B1
CODE						
Maximum pressure	bar	10	10	10	10	10
Capacity at maximum pressure	m <sup>3</sup> /min	0.24	0.24	0.36	0.53	0.67
Drive motor IP 55 / class F – IE3	kW	2.2	2.2	3	4	5.5
Operating voltage, 50 – 60Hz	380 – 400V	–	•	•	•	•
Noise level	dB(A)	61	61	61	62	66
Air cooled		•	•	•	•	•
Weight	kg	106	106	106	106	119
Dimensions [L x W x H]	mm	620 x 600 x 840	620 x 600 x 840	620 x 600 x 840	620 x 600 x 840	620 x 600 x 840
OUT BSP		1/2"	1/2"	1/2"	1/2"	1/2"
<b>COMPRESSOR MOUNTED ON 270 LT TANK</b>						
Code		<b>CC1049084B1</b>	<b>CMP1026758B1</b>	<b>CMP1026759B1</b>	<b>CMP1026760B1</b>	<b>CMP1026761B1</b>
Weight	kg	191	191	191	191	204
Dimensions [L x W x H]	mm	1,540 x 600 x 1,400	1,540 x 600 x 1,400	1,540 x 600 x 1,400	1,540 x 600 x 1,400	1,540 x 600 x 1,400
<b>COMPRESSOR MOUNTED ON 500 LT TANK</b>						
Code		–	–	–	<b>CMP1026739B1</b>	<b>CMP1026740B1</b>
Weight	kg	–	–	–	251	264
Dimensions [L x W x H]	mm	–	–	–	1,950 x 680 x 1,520	1,950 x 680 x 1,520
<b>PACKAGE VERSION, KA / CT / 270<sup>1)</sup></b>						
Code		<b>CMP1194504</b>	<b>CMP1026762BE2</b>	<b>CMP1026763BE2</b>	<b>CMP1026764BE2</b>	<b>CMP1026765BE2</b>
Weight	kg	213	213	213	220	231
Dimensions [L x W x H]	mm	1,540 x 600 x 1,400	1,540 x 600 x 1,400	1,540 x 600 x 1,400	1,540 x 600 x 1,400	1,540 x 600 x 1,400
<b>PACKAGE VERSION, KA / CT / 500<sup>1)</sup></b>						
Code		–	–	–	<b>CMP1026741BE2</b>	<b>CMP1026742BE2</b>
Weight	kg	–	–	–	280	291
Dimensions [L x W x H]	mm	–	–	–	1,950 x 680 x 1,520	1,950 x 680 x 1,520
<b>PREMIUM VERSION [COMPLETE WITH C-PRO 1.0 ELECTRONIC CONTROLLER]</b>						
<b>COMPRESSOR BASE LOAD</b>						
Code		–	–	–	<b>CMP1031244B1</b>	<b>CMP1031242B1</b>
<b>COMPRESSOR MOUNTED ON 270 LT TANK</b>						
Code		–	–	–	<b>CMP1034065B1</b>	<b>CMP1034068B1</b>
<b>COMPRESSOR MOUNTED ON 500 LT TANK</b>						
Code		–	–	–	<b>CMP1034066B1</b>	<b>CMP1034069B1</b>
<b>PACKAGE VERSION, KA / CT / 270<sup>1)</sup></b>						
Code		–	–	–	<b>CMP1034071BE2</b>	<b>CMP1034074BE2</b>
<b>PACKAGE VERSION, KA / CT / 500<sup>1)</sup></b>						
Code		–	–	–	<b>CMP1034072BE2</b>	<b>CMP1034075BE2</b>
<b>OPTIONAL</b>						
Alternative voltage, 230V / 50 - 60Hz <sup>3)</sup>						
Filter Kit with bypass for dryer CT <sup>2)4)</sup>	<b>CC1179488</b>					
Filter Kit with bypass for dryer CT <sup>2)4)</sup>	<b>CC1179489</b>					
Retro Fit Filter Kit	<b>CC1199110</b>					
Retro Fit Filter Kit	<b>CC1199111</b>					
Food grade Oil (19 Litres) <sup>3)</sup>						
Automatic drain discharge for tank	<b>CC1032413</b>					
Anti-corrosion %						
<b>SERVICE &amp; PARTS</b>						
Service Kit for every 4000h or 12 months	<b>CC1089649</b>					
Service Kit for every 8000h or 24 months	<b>CC1089650</b>					
ChampLUBE Screw Food grade lubricant 4 x 4 Litres	<b>CC1180019</b>					

<sup>1)</sup> Compressor mounted on tank with refrigeration cycle dryer (CT). Dew point + 3° C with compressor air inlet temperature + 35° and per ISO 7183. <sup>2)</sup> Kit includes ceramic filter & coalescent filter.

<sup>3)</sup> Only for KA 2–3 and KA 4–5 Premium. <sup>4)</sup> Factory fitted or retrofit kit.

FM FIXED SPEED, FM RS VARIABLE SPEED

# COMPACT & RELIABLE ROTARY SCREW COMPRESSORS - FM SERIES

## At a glance...

 **Nominal Pressure**  
5 - 13 bar g

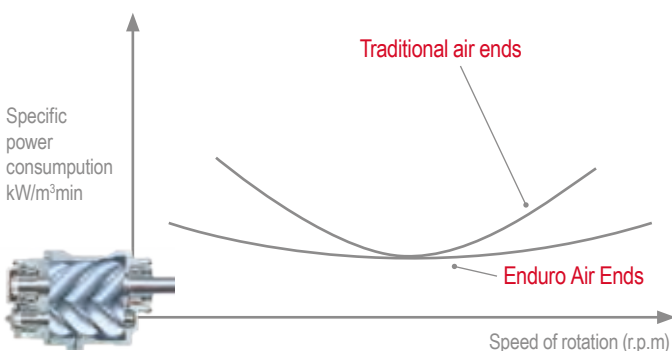
 **Motor Power**  
7 - 22kW

 **Volume Flow**  
0.45 - 3.50 m<sup>3</sup>/min



## FM & FM RS Screw Compressors up to 46°C ambient temperature

**The generously sized ventilation system ensures optimum cooling, low outlet air temperatures best performance and reliability under harshest conditions**



## Premium Quality Airends

FM series feature high quality airends manufactured in Finland using state of the art manufacturing techniques. The airends are designed with focus on reliability and efficiency. The rotors are accurate and thoroughly checked and measured by a computerised control system. Enduro airends have a flat specific power consumption curve, which enables efficient use of the airend in wide rpm. For models FM15-22 the Tamrotor Enduro airend features integrated air - oil separator and oil filter which offers a very compact design and improved maintenance.

## FM & FM RS package compressors with dryer and tank

Based up on the individual customer requirements the compressors can be combined with different options to provide options from a stand alone compressor to the complete package.

- Compressor base mounted
- Tank mounted compressor
- Complete package including compressor, dryer and tank

## New advanced controller C-PRO 2.0 ensures reliable operation and protects your investment by continuously monitoring the operational parameters

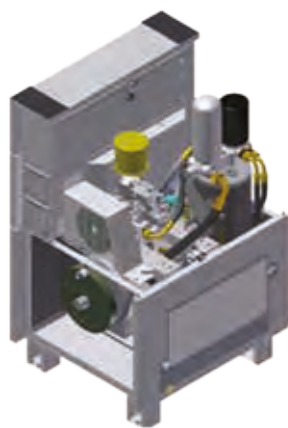
- ✓ 3 analog inputs
- ✓ Multi-language: English/German/French/Italian/Spanish
- ✓ Standard sequence control up to 8 units  
(up to 7 units fixed speed & 1 variable speed)
- ✓ Standard Modbus
- ✓ 15 failure records in memory
- ✓ Continuous system monitoring





## Easy maintenance

FM compressors are designed to ensure easy access to maintenance points. Panels on the structure can be easily removed to allow full access to all service points. Also, the limited number of moving parts reduces service costs.



The automate tensioning of the belt assures long life of the belt, less maintenance and noise reduction.



Belt Auto Tensioning system



Compact design with a footprint of 0,4 m<sup>2</sup> for frame 1 and 0.5m<sup>2</sup> for frame 2; FM series offer one of the most compact air compressors in the market. FM innovative design also features low noise level allowing installation at the point of use.

## High Efficient Motors

- ✓ International efficiency class 2 (IE3) as a standard.
- ✓ IP 55 enclosure
- ✓ Full performance up to 46°C ambient temperature

# FM FIXED SPEED, FM RS VARIABLE SPEED

## FM RS



= Energy savings and lower CO<sub>2</sub> emissions into the environment.

### The variable speed compressor: One smart solution

Variable speed compressors can efficiently and reliably handle the varying air demand found in most plant air systems. These compressors speed up and slow down to match air supply to air demand as it fluctuates. The right variable speed compressor in the right application delivers significant energy savings and a stable, consistent air supply.

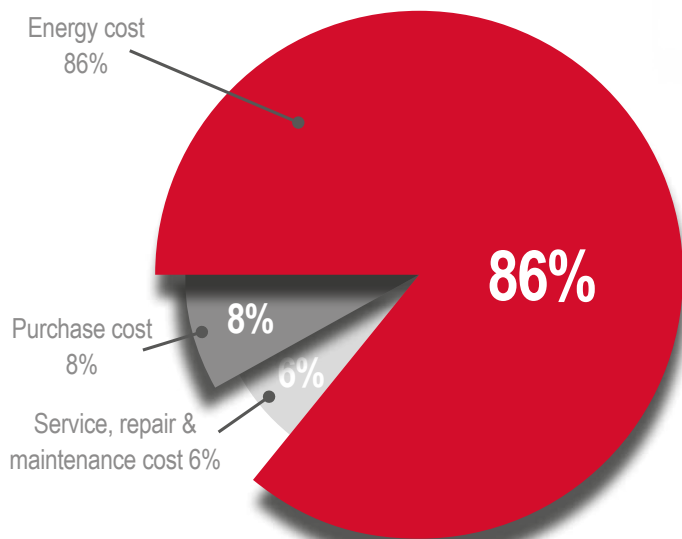
### Compressor energy cost example

NOMINAL kW	OPERATING COST PER YEAR (5000 HOURS) AT COST PER KWH (€)					
	0.06	0.08	0.10	0.12	0.14	0.16
15	4,495	5,990	7,490	8,985	10,483	11,980
18	5,540	7,390	9,235	11,080	12,930	14,775
22	6,590	8,785	10,980	13,180	15,375	17,570

Note: Hours of operation based on two 8hrs-shifts, 6 days per week. Calculations based on nominal kW.



### Cost of compressed air over 5 years



Allows substantial energy savings of at least 25% of the energy cost

### FM package compressors

With dryer, filters and tank

The FM Package compressors can be easily and rapidly installed in any installation.

### The intelligent C-PRO 2.0 controller

#### Simplicity

The C-PRO 2.0 controller was designed to make the operators' interface with the variable speed drive transparent. This new generation controller features extra functions for variable speed compressors like drive status display and flexible PID setting according to the application. You don't need to be an expert on variable speed drives to operate your compressor. The controller takes care of the details and automatically adjusts the compressor performance to meet your changing air system demands - saving you energy. Changing the discharge pressure is as easy as pressing a button.



# Technical data

## FM 7 Series: Screw Compressors

**Design:** Oil flooded, Single stage rotary screw compressor, belt drive, air cooled  
**Pressure Range:** 7-8-10-13 bar  
**Electric motor:** 7,5 kW - IE3



FM SERIES CODE	TYPE	FM7			
		CC1184130	CC1184131	CC1183626	CC1184132
Maximum pressure	bar	7	8	10	13
Capacity at maximum pressure	m <sup>3</sup> /min	1.14	0.99	0.97	0.80
Drive motor IP 55 / class F – IE3	kW	7.5	7.5	7.5	7.5
Operating Voltage, 50Hz	400 V	•	•	•	•
Control voltage	24 V	•	•	•	•
C-Pro 2.0 electronic controller		•	•	•	•
Noise Level	db(A)	70	70	70	70
After-cooler		•	•	•	•
Weight	kg	205	205	205	205
Dimensions (L x W x H)	mm	667 x 630 x 1050	667 x 630 x 1050	667 x 630 x 1050	667 x 630 x 1050
Outlet connection EN 10266 (DIN 2999)		3/4"	3/4"	3/4"	3/4"

COMPRESSOR MOUNTED ON 270 LT TANK					
Code		CC1186380	CC1186381	CC1186382	CC1186383
Weight	kg	300	300	300	300
Dimensions (L x W x H)	mm	1600 x 700 x 1600	1600 x 700 x 1600	1600 x 700 x 1600	1600 x 700 x 1600

COMPRESSOR MOUNTED ON 500 LT TANK					
Code		CC1186394	CC1186395	CC1186396	CC1186397
Weight	kg	365	365	365	365
Dimensions (L x W x H)	mm	2000 x 700 x 1700	2000 x 700 x 1700	2000 x 700 x 1700	2000 x 700 x 1700

PACKAGE VERSION, FM / CT / 270 <sup>1)</sup>					
Code		CC1186422	CC1186423	CC1186424	CC1186425
Weight	kg	340	340	340	340
Dimensions (L x W x H)	mm	1600 x 700 x 1600	1600 x 700 x 1600	1600 x 700 x 1600	1600 x 700 x 1600

PACKAGE VERSION, FM / CT / 500 <sup>1)</sup>					
Code		CC1186426	CC1186427	CC1186428	CC1186429
Weight	kg	405	405	405	405
Dimensions (L x W x H)	mm	2000 x 700 x 1700	2000 x 700 x 1700	2000 x 700 x 1700	2000 x 700 x 1700

OPTIONAL	
Alternative Voltage, 230V / 50-60 Hz <sup>3)</sup>	
Alternative Voltage, 380V / 60 Hz <sup>3)</sup>	
Filter Kit with bypass for dryer <sup>2)3)</sup>	
Retro Fit Filter Kit	CC1199112
Automatic drain discharge for tank <sup>3)</sup>	
Anticorrosion % <sup>3)</sup>	
Food grade Oil (19 Litres) <sup>3)</sup>	
Internal Vessel acc AD 2000	
Extended 5 year warranty	CC1180791
SERVICE & PARTS	
Service Kit for every 4000 h or 12 months	CC1180671
Service Kit for every 8000 h or 24 months	CC1180677
ChampLube Lubricant 4 x 4 Litres	CC1180019

<sup>1)</sup> Compressor mounted on tank with refrigeration cycle dryer (CT). Dew point + 3° C with compressor air inlet temperature + 35° and per ISO 7183

<sup>2)</sup> Kit includes water separator, ceramic filter and bypass kit

<sup>3)</sup> Must be clearly mentioned in the order

# FM FIXED SPEED, FM RS VARIABLE SPEED

## FM 11 Series: Screw Compressors

**Design:** Oil flooded, Single stage rotary screw compressor, belt drive, air cooled

**Pressure Range:** 7 to 13 bar

**Electric motor:** 11 kW - IE3



FM SERIES CODE	TYPE	FM11			
		CC1184133	CC1184154	CC1183627	CC1184155
Maximum pressure	bar	7	8	10	13
Capacity at maximum pressure	m <sup>3</sup> /min	1.59	1.41	1.39	1.14
Drive motor IP 55 / class F – IE3	kW	11	11	11	11
Operating Voltage, 50Hz	400 V	•	•	•	•
Control voltage	24 V	•	•	•	•
C-Pro 2.0 electronic controller		•	•	•	•
Noise Level	db(A)	70	70	70	70
After-cooler		•	•	•	•
Weight	kg	219	219	219	219
Dimensions (L x W x H)	mm	667 x 630 x 1050	667 x 630 x 1050	667 x 630 x 1050	667 x 630 x 1050
Outlet connection EN 10266 (DIN 2999)		3/4"	3/4"	3/4"	3/4"

COMPRESSOR MOUNTED ON 270 LT TANK					
Code		CC1186398	CC1186399	CC1186400	CC1186401
Weight	kg	314	314	314	314
Dimensions (L x W x H)	mm	1600 x 700 x 1600	1600 x 700 x 1600	1600 x 700 x 1600	1600 x 700 x 1600

COMPRESSOR MOUNTED ON 500 LT TANK					
Code		CC1186402	CC1186403	CC1186404	CC1186405
Weight	kg	379	379	379	379
Dimensions (L x W x H)	mm	2000 x 700 x 1700	2000 x 700 x 1700	2000 x 700 x 1700	2000 x 700 x 1700

PACKAGE VERSION, FM / CT / 270 <sup>1)</sup>					
Code		CC1186430	CC1186431	CC1186432	CC1186433
Weight	kg	354	354	354	354
Dimensions (L x W x H)	mm	1600 x 700 x 1600	1600 x 700 x 1600	1600 x 700 x 1600	1600 x 700 x 1600

PACKAGE VERSION, FM / CT / 500 <sup>1)</sup>					
Code		CC1186434	CC1186435	CC1186436	CC1186437
Weight	kg	419	419	419	419
Dimensions (L x W x H)	mm	2000 x 700 x 1700	2000 x 700 x 1700	2000 x 700 x 1700	2000 x 700 x 1700

OPTIONAL	
Alternative Voltage, 230V / 50 – 60 Hz <sup>3)</sup>	
Alternative Voltage, 380V / 60 Hz <sup>3)</sup>	
Filter Kit with bypass for dryer <sup>2) 3)</sup>	
Retro Fit Filter Kit	CC1199113
Automatic drain discharge for tank <sup>3)</sup>	
Anticorrosion % <sup>3)</sup>	
Food grade Oil (19 Litres) <sup>3)</sup>	
Internal Vessel acc AD 2000	
Extended 5 year warranty	CC1180791
SERVICE & PARTS	
Service Kit for every 4000 h or 12 months	CC1180671
Service Kit for every 8000 h or 24 months	CC1180677
ChampLube Lubricant 4 x 4 Litres	CC1180019

<sup>1)</sup> Compressor mounted on tank with refrigeration cycle dryer (CT). Dew point + 3° C with compressor air inlet temperature + 35° and per ISO 7183

<sup>2)</sup> Kit includes water separator, ceramic filter and bypass kit

<sup>3)</sup> Must be clearly mentioned in the order

## FM 7 RS Series: Screw Compressors

**Design:** Oil flooded, Single stage rotary screw compressor, variable speed, air cooled

**Pressure Range:** 5 to 13 bar

**Electric motor:** 7.5 kW - IE3



FM SERIES CODE	TYPE	FM7RS			
		CC1184156	CC1184157	CC1184158	CC1184159
Maximum pressure	bar	7	8	10	13
Capacity at maximum pressure	m <sup>3</sup> /min	1.13	0.98	0.95	0.80
Drive motor IP 55 / class F – IE3	kW	7.5	7.5	7.5	7.5
Operating Voltage, 50Hz	400 V	•	•	•	•
Control voltage	24 V	•	•	•	•
C-Pro 2.0 electronic controller		•	•	•	•
Noise Level	db(A)	67	67	67	67
After-cooler		•	•	•	•
Weight	kg	225	225	225	225
Dimensions (L x W x H)	mm	667 x 630 x 1050	667 x 630 x 1050	667 x 630 x 1050	667 x 630 x 1050
Outlet connection EN 10266 (DIN 2999)		3/4"	3/4"	3/4"	3/4"

COMPRESSOR MOUNTED ON 270 LT TANK					
Code		CC1186406	CC1186407	CC1186408	CC1186409
Weight	kg	320	320	320	320
Dimensions (L x W x H)	mm	1600 x 700 x 1600	1600 x 700 x 1600	1600 x 700 x 1600	1600 x 700 x 1600

COMPRESSOR MOUNTED ON 500 LT TANK					
Code		CC1186410	CC1186411	CC1186412	CC1186413
Weight	kg	385	385	385	385
Dimensions (L x W x H)	mm	2000 x 700 x 1700	2000 x 700 x 1700	2000 x 700 x 1700	2000 x 700 x 1700

PACKAGE VERSION, FM / CT / 270 <sup>1)</sup>					
Code		CC1186438	CC1186439	CC1186440	CC1186441
Weight	kg	360	360	360	360
Dimensions (L x W x H)	mm	1600 x 700 x 1600	1600 x 700 x 1600	1600 x 700 x 1600	1600 x 700 x 1600

PACKAGE VERSION, FM / CT / 500 <sup>1)</sup>					
Code		CC1186442	CC1186443	CC1186444	CC1186445
Weight	kg	425	425	425	425
Dimensions (L x W x H)	mm	2000 x 700 x 1700	2000 x 700 x 1700	2000 x 700 x 1700	2000 x 700 x 1700

OPTIONAL	
Alternative Voltage, 230V / 50-60 Hz <sup>3)</sup>	
Alternative Voltage, 380V / 60 Hz <sup>3)</sup>	
Filter Kit with bypass for dryer <sup>2) 3)</sup>	
Retro Fit Filter Kit	CC1199112
Automatic drain discharge for tank <sup>3)</sup>	
Anticorrosion % <sup>3)</sup>	
Food grade Oil (19 Litres) <sup>3)</sup>	
Internal Vessel acc AD 2000	
Extended 5 year warranty	CC1180791
SERVICE & PARTS	
Service Kit for every 4000 h or 12 months	CC1180672
Service Kit for every 8000 h or 24 months	CC1180678
ChampLube Lubricant 4 x 4 Litres	CC1180019

<sup>1)</sup> Compressor mounted on tank with refrigeration cycle dryer (CT). Dew point + 3° C with compressor air inlet temperature + 35° and per ISO 7183

<sup>2)</sup> Kit includes water separator, ceramic filter and bypass kit

<sup>3)</sup> Must be clearly mentioned in the order

# FM FIXED SPEED, FM RS VARIABLE SPEED

## FM 11 RS Series: Screw Compressors

**Design:** Oil flooded, Single stage rotary screw compressor, variable speed, air cooled

**Pressure Range:** 5 to 13 bar

**Electric motor:** 11 kW - IE3



FM SERIES CODE	TYPE	FM11RS			
		CC1184160	CC1184161	CC1184162	CC1184163
Maximum pressure	bar	7	8	10	13
Capacity at maximum pressure and 100% load	m <sup>3</sup> /min	1.58	1.41	1.39	1.07
Drive motor IP 55 / class F – IE3	kW	11	11	11	11
Operating Voltage, 50Hz	400 V	•	•	•	•
Control voltage	24 V	•	•	•	•
C-Pro 2.0 electronic controller		•	•	•	•
Noise Level at 70% load	db(A)	67	67	67	67
After-cooler		•	•	•	•
Weight	kg	234	234	234	234
Dimensions (L x W x H)	mm	667 x 630 x 1050	667 x 630 x 1050	667 x 630 x 1050	667 x 630 x 1050
Outlet connection EN 10266 (DIN 2999)		3/4"	3/4"	3/4"	3/4"

COMPRESSOR MOUNTED ON 270 LT TANK					
Code		CC1186414	CC1186415	CC1186416	CC1186417
Weight	kg	329	329	329	329
Dimensions (L x W x H)	mm	1600 x 700 x 1600	1600 x 700 x 1600	1600 x 700 x 1600	1600 x 700 x 1600

COMPRESSOR MOUNTED ON 500 LT TANK					
Code		CC1186418	CC1186419	CC1186420	CC1186421
Weight	kg	394	394	394	394
Dimensions (L x W x H)	mm	2000 x 700 x 1700	2000 x 700 x 1700	2000 x 700 x 1700	2000 x 700 x 1700

PACKAGE VERSION, FM / CT / 270 <sup>1)</sup>					
Code		CC1186446	CC1186447	CC1186448	CC1186449
Weight	kg	369	369	369	369
Dimensions (L x W x H)	mm	1600 x 700 x 1600	1600 x 700 x 1600	1600 x 700 x 1600	1600 x 700 x 1600

PACKAGE VERSION, FM / CT / 500 <sup>1)</sup>					
Code		CC1186450	CC1186451	CC1186452	CC1186453
Weight	kg	434	434	434	434
Dimensions (L x W x H)	mm	2000 x 700 x 1700	2000 x 700 x 1700	2000 x 700 x 1700	2000 x 700 x 1700

OPTIONAL	
Alternative Voltage, 380V / 60 Hz <sup>3)</sup>	
Filter Kit with bypass for dryer <sup>2)3)</sup>	
Retro Fit Filter Kit	CC1199113
Automatic drain discharge for tank <sup>3)</sup>	
Anticorrosion % <sup>3)</sup>	
Food grade Oil (19 Litres) <sup>3)</sup>	
Internal Vessel acc AD 2000	
Extended 5 year warranty	CC1180791
SERVICE & PARTS	
Service Kit for every 4000 h or 12 months	CC1180672
Service Kit for every 8000 h or 24 months	CC1180678
ChampLube Lubricant 4 x 4 Litres	CC1180019

<sup>1)</sup> Compressor mounted on tank with refrigeration cycle dryer (CT). Dew point + 3° C with compressor air inlet temperature + 35° and per ISO 7183

<sup>2)</sup> Kit includes water separator, ceramic filter and bypass kit

<sup>3)</sup> Must be clearly mentioned in the order



## FM 15 Series: Screw Compressors

**Design:** Oil flooded, Single stage rotary screw compressor, belt drive, air cooled

**Pressure Range:** 7 to 13 bar

**Electric motor:** 15 kW - IE3



FM SERIES CODE	TYPE	FM15			
		CC1184171	CC1184172	CC1184173	CC1184264
Maximum pressure	bar	7	8	10	13
Capacity at maximum pressure	m <sup>3</sup> /min	2.64	2.46	2.20	1.79
Drive motor IP 55 / class F – IE3	kW	15	15	15	15
Operating Voltage, 50Hz	400 V	•	•	•	•
Control voltage	24 V	•	•	•	•
C-Pro 2.0 electronic controller		•	•	•	•
Noise Level	db(A)	73	73	73	73
After-cooler		•	•	•	•
Weight	kg	335	335	335	335
Dimensions (L x W x H)	mm	787 x 698 x 1202	787 x 698 x 1202	787 x 698 x 1202	787 x 698 x 1202
Outlet connection EN 10266 (DIN 2999)		1"	1"	1"	1"

COMPRESSOR MOUNTED ON 500 LT TANK					
Code		CC1186466	CC1186467	CC1186468	CC1186469
Weight	kg	495	495	495	495
Dimensions (L x W x H)	mm	2000 x 800 x 1850	2000 x 800 x 1850	2000 x 800 x 1850	2000 x 800 x 1850

PACKAGE VERSION, FM / CT / 500 <sup>1)</sup>					
Code		CC1186497	CC1186498	CC1186499	CC1186500
Weight	kg	545	545	545	545
Dimensions (L x W x H)	mm	2000 x 850 x 1850	2000 x 850 x 1850	2000 x 850 x 1850	2000 x 850 x 1850

OPTIONAL	
Alternative Voltage, 380V / 60 Hz <sup>3)</sup>	
Filter Kit with bypass for dryer <sup>2)3)</sup>	
Retro Fit Filter Kit	CC1199134
Automatic drain discharge for tank <sup>3)</sup>	
Anticorrosion % <sup>3)</sup>	
Food grade Oil (19 Litres) <sup>3)</sup>	
Extended 5 year warranty	CC1180791
SERVICE & PARTS	
Service Kit for every 4000 h or 12 months	CC1180685
Service Kit for every 8000 h or 24 months	CC1180689
ChampLube Lubricant 4 x 4 Litres	CC1180019

<sup>1)</sup> Compressor mounted on tank with refrigeration cycle dryer (CT). Dew point + 3° C with compressor air inlet temperature + 35° and per ISO 7183

<sup>2)</sup> Kit includes water separator, ceramic filter and bypass kit

<sup>3)</sup> Must be clearly mentioned in the order

# FM FIXED SPEED, FM RS VARIABLE SPEED

## FM 18 Series: Screw Compressors

**Design:** Oil flooded, Single stage rotary screw compressor, belt drive, air cooled

**Pressure Range:** 7 to 13 bar

**Electric motor:** 18.5 kW - IE3



FM SERIES CODE	TYPE	FM18			
		CC1184265	CC1184266	CC1184267	CC1184268
Maximum pressure	bar	7	8	10	13
Capacity at maximum pressure	m <sup>3</sup> /min	3.15	2.96	2.71	2.38
Drive motor IP 55 / class F – IE3	kW	18.5	18.5	18.5	18.5
Operating Voltage, 50Hz	400 V	•	•	•	•
Control voltage	24 V	•	•	•	•
C-Pro 2.0 electronic controller		•	•	•	•
Noise Level	db(A)	73	73	73	73
After-cooler		•	•	•	•
Weight	kg	361	361	361	361
Dimensions (L x W x H)	mm	787 x 698 x 1202	787 x 698 x 1202	787 x 698 x 1202	787 x 698 x 1202
Outlet connection EN 10266 (DIN 2999)		1"	1"	1"	1"

COMPRESSOR MOUNTED ON 500 LT TANK					
Code		CC1186470	CC1186471	CC1186472	CC1186473
Weight	kg	521	521	521	521
Dimensions (L x W x H)	mm	2000 x 800 x 1850	2000 x 800 x 1850	2000 x 800 x 1850	2000 x 800 x 1850

PACKAGE VERSION, FM / CT / 500 <sup>1)</sup>					
Code		CC1186501	CC1186502	CC1186503	CC1186504
Weight	kg	571	571	571	571
Dimensions (L x W x H)	mm	2000 x 850 x 1850	2000 x 850 x 1850	2000 x 850 x 1850	2000 x 850 x 1850

OPTIONAL	
Alternative Voltage, 380V / 60 Hz <sup>3)</sup>	
Filter Kit with bypass for dryer <sup>2)3)</sup>	
Retro Fit Filter Kit	CC1199134
Automatic drain discharge for tank <sup>3)</sup>	
Anticorrosion % <sup>3)</sup>	
Food grade Oil (19 Litres) <sup>3)</sup>	
Extended 5 year warranty	CC1180791
SERVICE & PARTS	
Service Kit for every 4000 h or 12 months	CC1180685
Service Kit for every 8000 h or 24 months	CC1180689
ChampLube Lubricant 4 x 4 Litres	CC1180019

<sup>1)</sup> Compressor mounted on tank with refrigeration cycle dryer (CT). Dew point + 3° C with compressor air inlet temperature + 35° and per ISO 7183

<sup>2)</sup> Kit includes water separator, ceramic filter and bypass kit

<sup>3)</sup> Must be clearly mentioned in the order

## FM 22 Series: Screw Compressors

**Design:** Oil flooded, Single stage rotary screw compressor, belt drive, air cooled

**Pressure Range:** 7 to 13 bar

**Electric motor:** 22 kW - IE3



FM SERIES CODE	TYPE	FM22			
		CC1184269	CC1184270	CC1184169	CC1184271
Maximum pressure	bar	7	8	10	13
Capacity at maximum pressure	m <sup>3</sup> /min	3.50	3.23	3.06	2.59
Drive motor IP 55 / class F – IE3	kW	22	22	22	22
Operating Voltage, 50Hz	400 V	•	•	•	•
Control voltage	24 V	•	•	•	•
C-Pro 2.0 electronic controller		•	•	•	•
Noise Level	db(A)	74	74	74	74
After-cooler		•	•	•	•
Weight	kg	367	367	367	367
Dimensions (L x W x H)	mm	787 x 698 x 1202	787 x 698 x 1202	787 x 698 x 1202	787 x 698 x 1202
Outlet connection EN 10266 (DIN 2999)		1"	1"	1"	1"

COMPRESSOR MOUNTED ON 500 LT TANK					
Code		CC1186484	CC1186485	CC1186486	CC1186487
Weight	kg	527	527	527	527
Dimensions (L x W x H)	mm	2000 x 800 x 1850	2000 x 800 x 1850	2000 x 800 x 1850	2000 x 800 x 1850

PACKAGE VERSION, FM / CT / 500 <sup>1)</sup>					
Code		CC1186505	CC1186506	CC1186507	CC1186508
Weight	kg	577	577	577	577
Dimensions (L x W x H)	mm	2000 x 850 x 1850	2000 x 850 x 1850	2000 x 850 x 1850	2000 x 850 x 1850

OPTIONAL	
Alternative Voltage, 380V / 60 Hz <sup>3)</sup>	
Filter Kit with bypass for dryer <sup>2)</sup>	
Retro Fit Filter Kit	CC1199134
Automatic drain discharge for tank <sup>3)</sup>	
Anticorrosion % <sup>3)</sup>	
Food grade Oil (19 Litres) <sup>3)</sup>	
Extended 5 year warranty	CC1180791
SERVICE & PARTS	
Service Kit for every 4000 h or 12 months	CC1180685
Service Kit for every 8000 h or 24 months	CC1180689
ChampLube Lubricant 4 x 4 Litres	CC1180019

<sup>1)</sup> Compressor mounted on tank with refrigeration cycle dryer (CT). Dew point + 3° C with compressor air inlet temperature + 35° and per ISO 7183

<sup>2)</sup> Kit includes water separator, ceramic filter and bypass kit

<sup>3)</sup> Must be clearly mentioned in the order

# FM FIXED SPEED, FM RS VARIABLE SPEED



## FM 15 RS Series: Screw Compressors

**Design:** Oil flooded, Single stage rotary screw compressor, variable speed, air cooled

**Pressure Range:** 5 to 13 bar

**Electric motor:** 15 kW - IE3

FM SERIES CODE	TYPE	FM15RS			
		CC1184272	CC1184273	CC1184274	CC1184275
Maximum pressure	bar	7	8	10	13
Capacity at maximum pressure and 100% load	m <sup>3</sup> /min	2.64	2.46	2.20	1.73
Drive motor IP 55 / class F – IE3	kW	15	15	15	15
Operating Voltage, 50Hz	400 V	•	•	•	•
Control voltage	24 V	•	•	•	•
C-Pro 2.0 electronic controller		•	•	•	•
Noise Level at 70% load	db(A)	70	70	70	70
After-cooler		•	•	•	•
Weight	kg	360	360	360	360
Dimensions (L x W x H)	mm	787 x 698 x 1202	787 x 698 x 1202	787 x 698 x 1202	787 x 698 x 1202
Outlet connection EN 10266 (DIN 2999)		1"	1"	1"	1"

COMPRESSOR MOUNTED ON 500 LT TANK					
Code		CC1186475	CC1186476	CC1186477	CC1186478
Weight	kg	520	520	520	520
Dimensions (L x W x H)	mm	2000 x 800 x 1850	2000 x 800 x 1850	2000 x 800 x 1850	2000 x 800 x 1850

PACKAGE VERSION, FM / CT / 500 <sup>1)</sup>					
Code		CC1186509	CC1186510	CC1186511	CC1186512
Weight	kg	570	570	570	570
Dimensions (L x W x H)	mm	2000 x 850 x 1850	2000 x 850 x 1850	2000 x 850 x 1850	2000 x 850 x 1850

OPTIONAL	
Alternative Voltage, 380V / 60 Hz <sup>3)</sup>	
Filter Kit with bypass for dryer <sup>2)3)</sup>	
Retro Fit Filter Kit	CC1199134
Automatic drain discharge for tank <sup>3)</sup>	
Anticorrosion % <sup>3)</sup>	
Food grade Oil (19 Litres) <sup>3)</sup>	
Extended 5 year warranty	CC1180791
SERVICE & PARTS	
Service Kit for every 4000 h or 12 months	CC1180686
Service Kit for every 8000 h or 24 months	CC1180690
ChampLube Lubricant 4 x 4 Litres	CC1180019

<sup>1)</sup> Compressor mounted on tank with refrigeration cycle dryer (CT). Dew point + 3° C with compressor air inlet temperature + 35° and per ISO 7183

<sup>2)</sup> Kit includes water separator, ceramic filter and bypass kit

<sup>3)</sup> Must be clearly mentioned in the order

## FM 18 RS Series: Screw Compressors

**Design:** Oil flooded, Single stage rotary screw compressor, variable speed, air cooled

**Pressure Range:** 5 to 13 bar

**Electric motor:** 18.5 kW - IE3



FM SERIES CODE	TYPE	FM18RS			
		CC1184277	CC1184278	CC1184279	CC1184280
Maximum pressure	bar	7	8	10	13
Capacity at maximum pressure	m <sup>3</sup> /min	3.15	2.96	2.66	2.25
Drive motor IP 55 / class F – IE3	kW	18.5	18.5	18.5	18.5
Operating Voltage, 50Hz	400 V	•	•	•	•
Control voltage	24 V	•	•	•	•
C-Pro 2.0 electronic controller		•	•	•	•
Noise Level	db(A)	71	71	71	71
After-cooler		•	•	•	•
Weight	kg	380	380	380	380
Dimensions (L x W x H)	mm	787 x 698 x 1202	787 x 698 x 1202	787 x 698 x 1202	787 x 698 x 1202
Outlet connection EN 10266 (DIN 2999)		1"	1"	1"	1"

COMPRESSOR MOUNTED ON 500 LT TANK					
Code		CC1186479	CC1186480	CC1186481	CC1186482
Weight	kg	540	540	540	540
Dimensions (L x W x H)	mm	2000 x 800 x 1850	2000 x 800 x 1850	2000 x 800 x 1850	2000 x 800 x 1850

PACKAGE VERSION, FM / CT / 500 <sup>1)</sup>					
Code		CC1186513	CC1186514	CC1186515	CC1186516
Weight	kg	590	590	590	590
Dimensions (L x W x H)	mm	2000 x 850 x 1850	2000 x 850 x 1850	2000 x 850 x 1850	2000 x 850 x 1850

OPTIONAL	
Alternative Voltage, 380V / 60 Hz <sup>3)</sup>	
Filter Kit with bypass for dryer <sup>2)3)</sup>	
Retro Fit Filter Kit	CC1199134
Automatic drain discharge for tank <sup>3)</sup>	
Anticorrosion % <sup>3)</sup>	
Food grade Oil (19 Litres) <sup>3)</sup>	
Extended 5 year warranty	CC1180791
SERVICE & PARTS	
Service Kit for every 4000 h or 12 months	CC1180686
Service Kit for every 8000 h or 24 months	CC1180690
ChampLube Lubricant 4 x 4 Litres	CC1180019

<sup>1)</sup> Compressor mounted on tank with refrigeration cycle dryer (CT). Dew point + 3° C with compressor air inlet temperature + 35° and per ISO 7183

<sup>2)</sup> Kit includes water separator, ceramic filter and bypass kit

<sup>3)</sup> Must be clearly mentioned in the order

# FM FIXED SPEED, FM RS VARIABLE SPEED

## FM 22 RS Series: Screw Compressors

**Design:** Oil flooded, Single stage rotary screw compressor, variable speed, air cooled

**Pressure Range:** 5 to 13 bar

**Electric motor:** 22 kW - IE3



FM SERIES CODE	TYPE	FM22RS			
		CC1184281	CC1184282	CC1183666	CC1184283
Maximum pressure	bar	7	8	10	13
Capacity at maximum pressure and 100% load	m <sup>3</sup> /min	3.50	3.23	3.06	2.59
Drive motor IP 55 / class F – IE3	kW	22	22	22	22
Operating Voltage, 50Hz	400 V	•	•	•	•
Control voltage	24 V	•	•	•	•
C-Pro 2.0 electronic controller		•	•	•	•
Noise Level at 70% load	db(A)	71	71	71	71
After-cooler		•	•	•	•
Weight	kg	395	395	395	395
Dimensions (L x W x H)	mm	787 x 698 x 1202	787 x 698 x 1202	787 x 698 x 1202	787 x 698 x 1202
Outlet connection EN 10266 (DIN 2999)		1"	1"	1"	1"

COMPRESSOR MOUNTED ON 500 LT TANK					
Code		CC1186483	CC1186494	CC1186495	CC1186496
Weight	kg	555	555	555	555
Dimensions (L x W x H)	mm	2000 x 800 x 1850	2000 x 800 x 1850	2000 x 800 x 1850	2000 x 800 x 1850

PACKAGE VERSION, FM / CT / 500 <sup>1)</sup>					
Code		CC1186517	CC1186518	CC1186519	CC1186520
Weight	kg	605	605	605	605
Dimensions (L x W x H)	mm	2000 x 850 x 1850	2000 x 850 x 1850	2000 x 850 x 1850	2000 x 850 x 1850

OPTIONAL	
Alternative Voltage, 380V / 60 Hz <sup>3)</sup>	
Filter Kit with bypass for dryer <sup>2)3)</sup>	
Retro Fit Filter Kit	<b>CC1199134</b>
Automatic drain discharge for tank <sup>3)</sup>	
Anticorrosion % <sup>3)</sup>	
Food grade Oil (19 Litres) <sup>3)</sup>	
Extended 5 year warranty	<b>CC1180791</b>
SERVICE & PARTS	
Service Kit for every 4000 h or 12 months	<b>CC1180686</b>
Service Kit for every 8000 h or 24 months	<b>CC1180690</b>
ChampLube Lubricant 4 x 4 Litres	<b>CC1180019</b>

<sup>1)</sup> Compressor mounted on tank with refrigeration cycle dryer (CT). Dew point + 3° C with compressor air inlet temperature + 35° and per ISO 7183

<sup>2)</sup> Kit includes water separator, ceramic filter and bypass kit

<sup>3)</sup> Must be clearly mentioned in the order



# NEW GENERATION HIGHLY EFFICIENT SCREW COMPRESSORS

## At a glance...

 **Nominal Pressure**  
5 - 13 bar g

 **Motor Power**  
30 - 75kW

 **Volume Flow**  
1.19 - 13.5 m<sup>3</sup>/min



## Premium efficiency airend

New FM series 30-75 kW features premium quality airends designed and manufactured in house. The manufacturing process is using the latest CNC rotor grinding machinery, coupled with on-line laser technology, in order to maintain precise manufacturing tolerances.

Our state of art airends are focused on high efficiency and reliability.

Their integrated design offers a very compact solution that ease service and minimises leakage risks.

### Semi Integrated Version



## High efficiency cooling system

Thanks to the optimum cooling system, the compressor can work in high ambient temperatures of up to 46°C.

## Maximum durability

We maximise service life and durability by eliminating elastomer and thermoplastic pipe and tube in system pressure lines, replacing them with corrosion resistant stainless steel tubing and passive zinc coated carbon steel piping.

For ease of maintenance we complete the connection with viton sealed, grooved couplings and self-sealing high pressure compression fittings.

## Designed for serviceability

Maintenance personnel welcome the FM series compressor range. Service access is quick and easy with all doors able to be removed in seconds. We've also made sure serviceable components including filters are easily accessible and no piping needs to be disconnected to service the separator.



## Optimised drive concept

With direct or gear drive coupling, the belt free FM 30-75 Series compressor range not only reduces transmission losses, it improves efficiency and reduces noise. Most importantly, it delivers greater reliability and reduced maintenance costs.

## Energy efficient motor

High efficiency TEFC IE3 electric motors are fitted as standard to the entire FM 30-75 Series screw compressor range, reducing not only power consumption but also CO<sub>2</sub> emissions.





**New advanced controller C-PRO 2.0 ensures reliable operation and protects your investment by continuously monitoring the operational parameters**

- ✓ 3 analog inputs
- ✓ Multi-language: English/German/French/Italian/Spanish
- ✓ Standard sequence control up to 8 units (up to 7 units fixed speed & 1 variable speed)
- ✓ Standard Modbus
- ✓ 15 failure records in memory
- ✓ Continuous system monitoring



**iConn Industry 4.0 option**

The C- PRO 2.0 has the possibility to connect with iConn monitoring device iConn is the smart, proactive real-time monitoring service that delivers in-depth and real-time knowledge on the system to our compressed air users. It enables accurate production planning and total peace-of-mind protection.

It keeps users informed on performance, at the same time highlighting potential issues before they become a problem.

- Condition based monitoring
- Predictive maintenance required
- Full Air Manufacturing Control Optimisation
- External data pattern integration

# FM FIXED SPEED - FMRS VARIABLE SPEED SERIES

## FM RS



= Energy savings and lower CO<sub>2</sub> emissions into the environment.

### The variable speed compressor: One smart solution

Variable speed compressors can efficiently and reliably handle the varying air demand found in most plant air systems. These compressors speed up and slow down to match air supply to air demand as it fluctuates. The right variable speed compressor in the right application delivers significant energy savings and a stable, consistent air supply.

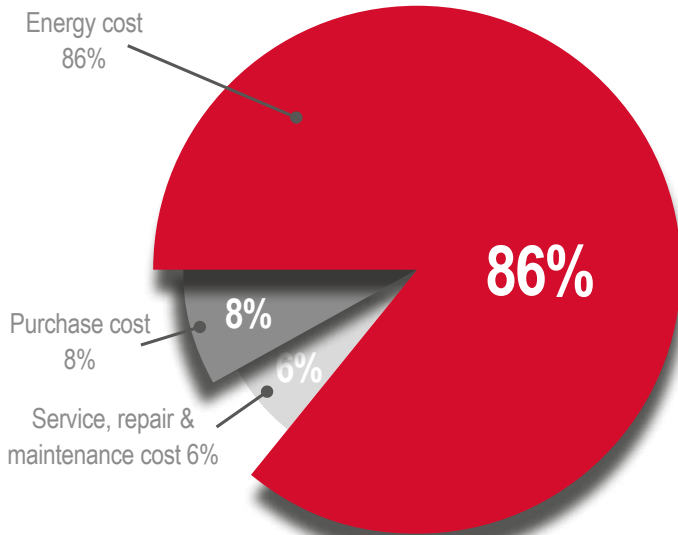
### Compressor energy cost example

NOMINAL kW	OPERATING COST PER YEAR (5000 HOURS) AT COST PER KWh (€)					
	0.06	0.08	0.10	0.12	0.14	0.16
55	16,500	22,000	27,500	33,000	38,500	44,000
75	22,500	30,000	37,500	45,000	52,500	60,000

Note: Hours of operation based on two 8hrs-shifts, 6 days per week. Calculations based on nominal kW.



### Cost of compressed air over 5 years



Allows substantial energy savings of at least 25% of the energy cost

### FM package compressors

With dryer, filters and tank

The FM Package compressors can be easily and rapidly installed in any installation.

### The intelligent C-PRO 2.0 controller

#### Simplicity

The C-PRO 2.0 controller was designed to make the operators' interface with the variable speed drive transparent. This new generation controller features extra functions for variable speed compressors like drive status display and flexible PID setting according to the application. You don't need to be an expert on variable speed drives to operate your compressor. The controller takes care of the details and automatically adjusts the compressor performance to meet your changing air system demands - saving you energy. Changing the discharge pressure is as easy as pressing a button.



# Technical data

## FM 30 – 45 Series: Screw Compressors, Fixed Speed

**Design:** Oil flooded, Single stage rotary screw compressor, direct drive, star / delta starting

**Pressure Range:** 8 to 13 bar

**Electric motor:** 30 - 45kW - IE3



FM SERIES CODE	TYPE	FM 30			FM 37			FM 45		
		CC1195721	CC1195722	CC1195723	CC1195342	CC1195734	CC1195735	CC1195736	CC1195737	CC1195738
Max. Pressure	bar	8	10	13	8	10	13	8	10	13
Capacity at working pressure	m <sup>3</sup> /min	4.87	4.67	4.08	6.4	5.49	5.05	7.52	6.75	5.4
Drive Motor IP55 / Class IE3	kW	30	30	30	37	37	37	45	45	45
Operating Voltage, 50 Hz	400 V	•	•	•	•	•	•	•	•	•
Control Voltage	24V	•	•	•	•	•	•	•	•	•
C-PRO 2.0 Controller		•	•	•	•	•	•	•	•	•
Noise Level	dB(A)	71	71	71	71	71	71	72	72	72
Weight	kg	700			780			850		
Dimensions (LxWxH)	mm	1554 x 894 x 1405			1554 x 894 x 1405			1554 x 894 x 1405		

Compressed Air Delivery Connection

EN 10226 G1 1/4 (DIN 2999-G1 1/4) female

### OPTIONAL

Altern. Voltage 380V/60Hz & 230V/50HZ

Extended 5 years Warranty **CC1180793**

Anti - corrosion %

Food Grade Oil

Kit for external heat recovery (heat recovery unit not included)

iConn factory Fitted

iConn retrofit kit **ZS1184985**

Oil Heater

Internal Pressure vessel acc AD2000

### SERVICE & PARTS

Service Kit for 4000h or 12 months FM30 **CC1198084**

Service Kit for 8000h or 24 months FM30 **CC1198090**

Service Kit for 4000h or 12 months FM37-45 **CC1198085**

Service Kit for 8000h or 24 months FM37-45 **CC1198091**

ChampLUBE Screw Lubricant 20Lt **CC1180020**

\* Service intervals are by calendar months or operating hours, whichever occurs first. In dirty ambient conditions service interval must be halved.

# FM FIXED SPEED - FMRS VARIABLE SPEED SERIES

## FM 30 – 45RS Series: Screw Compressors, Variable Speed

**Design:** Oil flooded, single stage rotary screw compressor, direct drive, star / delta starting

**Pressure Range:** 5 to 13 bar

**Electric motor:** 30 - 45kW - IE3



FMRS SERIES CODE	TYPE	FM30RS CC1195739	FM37RS CC1195740	FM45RS CC1195741
Pressure Range	bar	5 - 13		
Flow rate min - max	m <sup>3</sup> /min	1.19 - 5.60	1.41 - 6.69	1.41 - 7.84
Drive Motor IP55 / Class IE3	kW	30	37	45
Operating Voltage, 50 Hz	400V	•	•	•
Control Voltage	24V	•	•	•
C- PRO 2.0 Controller		•	•	•
Noise Level at 70% load	dB(A)	70	70	71
Weight	kg	750	830	900
Dimensions (LxWxH)	mm	1554 x 894 x 1405		
Compressed Air Delivery Connection		EN 10226 G1 1/4 (DIN 2999-G1 1/4) female		

### OPTIONAL

Altern. Voltage 380V/60Hz	
Extended 5 years Warranty	<b>CC1180793</b>
Anti- corrosion %	
Food Grade Oil	
Kit for external heat recovery (heat recovery unit not included)	
iConn factory Fitted	
iConn retrofit kit	<b>ZS1184985</b>
Oil Heater	
Internal Pressure vessel acc AD2000	

### SERVICE & PARTS

Service Kit for 4000h or 12 months FMRS30	<b>CC1198086</b>
Service Kit for 8000h or 24 months FMRS30	<b>CC1198092</b>
Service Kit for 4000h or 12 months FMRS37-45	<b>CC1198087</b>
Service Kit for 8000h or 24 months FMRS37-45	<b>CC1198093</b>
ChampLUBE Screw Lubricant 20Lt	<b>CC1180020</b>

\* Service intervals are defined by calendar months or operating hours, whichever occurs first. In dirty ambient conditions service interval must be halved.

## FM 55 – 75 Series: Screw Compressors, Fixed Speed

**Design:** Oil flooded, single stage rotary screw compressor, direct drive, star / delta starting

**Pressure Range:** 8 to 13 bar

**Electric motor:** 55 - 75kW - IE3



FM SERIES CODE	TYPE	FM55			FM75		
		CC1195745	CC1195747	CC1195748	CC1195749	CC1195750	CC1195751
Pressure Range	bar	8	10	13	8	10	13
Capacity at working pressure	m <sup>3</sup> /min	10.55	9.14	7.9	12.15	10.26	8.91
Drive Motor IP55 / Class IE3	kW	55	55	55	75	75	75
Operating Voltage, 50 Hz	400V	•	•	•	•	•	•
Control Voltage	24V	•	•	•	•	•	•
C- PRO 2.0 Controller		•	•	•	•	•	•
Noise Level at 70% load	dB(A)	73	73	73	74	74	74
Weight	kg	1150			1210		
Dimensions (LxWxH)	mm	2004 x 1179 x 1505			2004 x 1179 x 1505		
Compressed Air Delivery Connection		EN 10226 G2 (DIN 2999-G2) female					
<b>OPTIONAL</b>							
Altern. Voltage 380V/60Hz & 230V/50HZ							
Extended 5 years Warranty	<b>CC1180793</b>						
Anti- corrosion %							
Food Grade Oil							
Kit for external heat recovery (heat recovery unit not included)							
iConn factory Fitted							
iConn retrofit kit	<b>ZS1184985</b>						
Oil Heater							
Internal Pressure vessel acc AD2000							
<b>SERVICE &amp; PARTS</b>							
Service Kit for 4000h or 12 months	<b>CC1198088</b>						
Service Kit for 8000h or 24 months	<b>CC1198094</b>						
ChampLUBE Screw Lubricant 20Lt (2x 20Lt needed)	<b>CC1180020</b>						

\* Service intervals are defined by calendar months or operating hours, whichever occurs first. In dirty ambient conditions service interval must be halved.

# FM FIXED SPEED - FMRS VARIABLE SPEED SERIES

## FM 55 – 75RS Series: Screw Compressors, Fixed Speed

**Design:** Oil flooded, single stage rotary screw compressor, direct drive, star / delta starting

**Pressure Range:** 5 to 13 bar

**Electric motor:** 55 - 75kW - IE3



FM SERIES CODE	TYPE	FM55RS CC1195752	FM75RS CC1195753
Pressure Range	bar	5 - 10	5 - 13
Flow rate min - max	m <sup>3</sup> /min	2.24 - 10.43	1.65 - 13.57
Drive Motor IP55 / Class IE3	kW	55	75
Operating Voltage, 50 Hz	400V	•	•
Control Voltage	24V	•	•
C- PRO 2.0 Controller		•	•
Noise Level at 70% load	dB(A)	71	74
Weight	kg	1220	1280
Dimensions (LxWxH)	mm	2004 x 1179 x 1505	
Compressed Air Delivery Connection		EN 10226 G2 (DIN 2999-G2) female	

OPTIONAL	
Altern. Voltage 380V/60Hz	
Extended 5 years Warranty	<b>CC1180793</b>
Anti- corrosion %	
Food Grade Oil	
Kit for external heat recovery (heat recovery unit not included)	
iConn factory Fitted	
iConn retrofit kit	<b>ZS1184985</b>
Oil Heater	
Internal Pressure vessel acc AD2000	
SERVICE & PARTS	
Service Kit for 4000h or 12 months	<b>CC1198089</b>
Service Kit for 8000h or 24 months	<b>CC1198095</b>
ChampLUBE Screw Lubricant 20Lt (2x 20Lt needed)	<b>CC1180020</b>

\* Service intervals are defined by calendar months or operating hours, whichever occurs first. In dirty ambient conditions service interval must be halved.



# KSA / KSV SCREW COMPRESSORS

## At a glance...

 **Nominal Pressure**  
5 - 10bar g

 **Motor Power**  
90kW

 **Volume Flow**  
4.3 - 15.6 m<sup>3</sup>/min



## The **New** Generation

### Industries across the globe rely on BroomWade rotary screw compressors for the supply of high quality compressed air

The KSA / KSV 90 Series air compressor range incorporates the best of BroomWade technology, design and quality, to deliver reliable, economical and efficient performance in a completely new package.

### High efficiency air end

KSA / KSV Series screw compression elements are manufactured in-house using the latest CNC rotor grinding machinery, coupled with on-line laser technology, in order to maintain precise manufacturing tolerances.

BroomWade's commitment to quality ensures KSA / KSV Series compressors offer the highest levels of reliability and performance with low operating costs throughout the compressor's life.

### Maximum durability

We maximise service life and durability by eliminating elastomer and thermoplastic pipe and tube in system pressure lines, replacing them with corrosion resistant stainless steel tubing and passive zinc coated carbon steel piping. For ease of maintenance we complete the connection with viton sealed, grooved couplings and self-sealing high pressure compression fittings.

### Optimised drive concept

With direct or gear drive coupling, the belt free drive KSA / KSV 90 Series compressor range not only reduces transmission losses, it improves efficiency and reduces noise. Most importantly, it delivers greater reliability and reduced maintenance costs.

### Energy efficient motor

High efficiency TEFC IE3 electric motors are fitted as standard to the entire KSA / KSV 90 Series screw compressor range, reducing not only your power consumption but also your CO<sub>2</sub> emissions.







# KSV Variable Speed Technology

## Variable speed technology allows substantial **energy savings of at least 25% of the energy cost**

Variable speed compressors can efficiently and reliably handle the varying air demand found in most plant air systems. These compressors speed up and slow down to match air supply to air demand as it fluctuates. The right variable speed compressor in the right application delivers significant energy savings and a stable, consistent air supply.

### Heavy duty inlet filter

Dirt and dust that enter the compressor can adversely impact lubricant and machine life. An inlet filter with an efficiency rating of 99% is standard equipment on the KSA / KSV Series compressor range.

### Designed for serviceability

Maintenance personnel welcome the KSA / KSV series compressor range. Service access is quick and easy with all doors able to be removed in seconds.

We've also made sure serviceable components including filters are easily accessible and no piping needs to be disconnected to service the separator.

### C-MASTER controller

The control system ensures reliable operation and protects your investment by continuously monitoring the operational parameters, essential to reducing your running costs.



The controller also has the capability to have programmable inputs and outputs, control additional equipment, as well as providing the following features with clear readable instructions.

- Smart energy cost calculation
- Clear text indicator display
- Multiple languages
- Microprocessor controller
- Pressure, temperature & runtime display
- High temperature, high pressure & reverse-phase protection function
- Filter and oil change reminder
- Low 24V / DC control voltage.
- Intelligent protection in extreme environments
- Safe operation protection
- Multiple pressure/temperature input points
- Integrated sequence control (up to 8 compressors)
- RS-232 series communications for local monitoring
- Optional RS-485 ethernet communications for remote monitoring via Airbus485™ or Modbus RTU



# KSA / KSV 90 SERIES

## KSA 90 Series: Screw Compressors, Fixed Speed

**Design:** Oil flooded, single stage rotary screw compressor, direct drive, star / delta starting

**Pressure Range:** 7.5 - 10 bar

**Electric motor:** 90kW - IE3



KSA SERIES CODE	TYPE	KSA 90	
		CMP1165285	CMP1165286
Maximum pressure	bar	7.5	10
Capacity at working pressure	m³/min	15.3	13.8
Operating Voltage, 50 Hz	400V	•	•
C-Master Controller		•	•
Noise Level	dB(A)	75	75
Weight	kg	1500	
Dimensions (LxWxH)	mm	2100 x 1300 x 1580	
Compressed Air Delivery Connection		EN 10226 G2"	

### OPTIONAL

Altern. Voltage 380V/60Hz	
Extended 5 years Warranty	<b>CC1180793</b>
Anti- corrosion %	
Food Grade Oil	
Kit for external heat recovery (heat recovery unit not included)	
iConn retrofit kit	<b>ZS1185504</b>
Oil Heater	

### SERVICE & PARTS

Standard Service Kit KSA90	<b>CC1154033</b>
Advanced Service Kit KSA90	<b>CC1154034</b>
ChampLUBE Screw Lubricant 20Lt (2x20Lt needed)	<b>CC1180020</b>

\* Service intervals are defined by calendar months or operating hours, whichever occurs first. In dirty ambient conditions service interval must be halved.

## KSV 90 Series: Variable Speed Screw Compressors

**Design:** Oil flooded, Single stage rotary screw compressor, direct drive

**Pressure Range:** 5 - 10 bar

**Electric motor:** 90kW - IE3



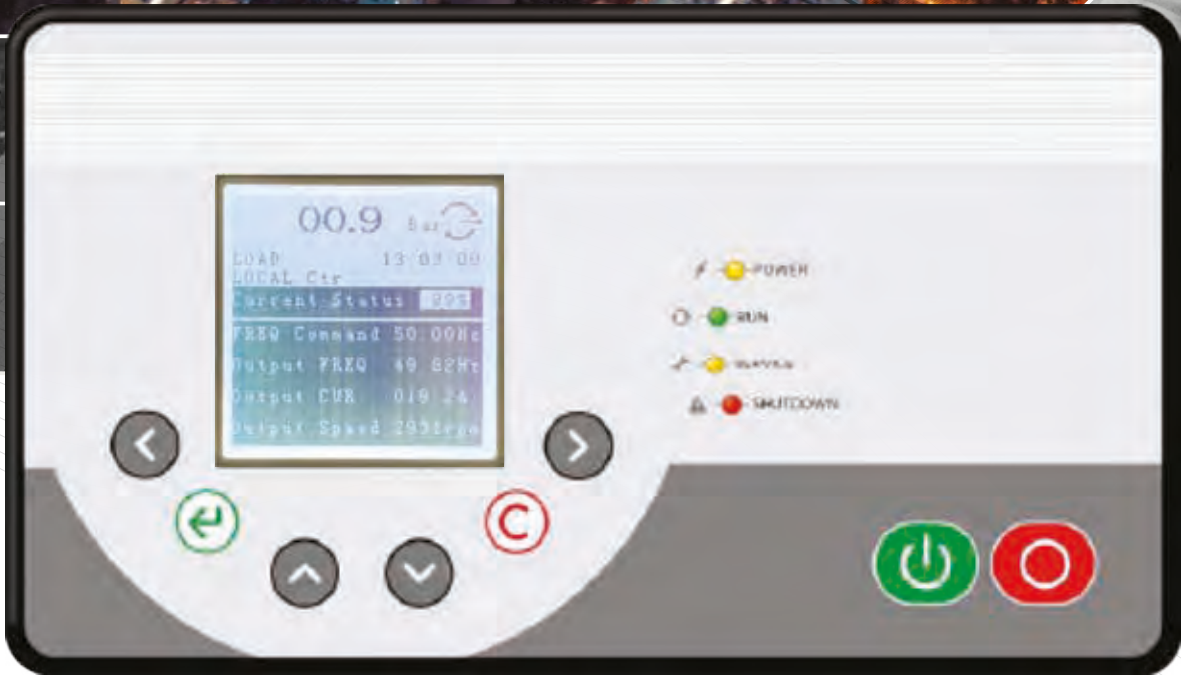
KSV SERIES CODE	TYPE	KSV 90 CMP1164880
Pressure range	bar	5 - 10
Flow rate min - max	m <sup>3</sup> /min	4.3 - 15.6
Operating Voltage, 50 Hz	400V	•
Control voltage	24V	•
C-Master Controller		•
Noise level at 100% load	dB(A)	77
Weight	kg	1640
Dimensions (LxWxH)	mm	2104 x 1300 x 1580
Compressed Air Delivery Connection		EN 10226 G2 "

OPTIONAL	
Altern. Voltage 380V/60Hz	
Extended 5 years Warranty	<b>CC1180793</b>
Anti- corrosion %	
Food Grade Oil	
Kit for external heat recovery (heat recovery unit not included)	
iConn retrofit kit	<b>ZS1185504</b>
Oil Heater	
SERVICE & PARTS	
Standard Service Kit KSV90	<b>CC1154035</b>
Advanced Service Kit KSV90	<b>CC1154036</b>
ChampLUBE Screw Lubricant 20Lt (2x20Lt needed)	<b>CC1180020</b>

\* Service intervals are defined by calendar months or operating hours, whichever occurs first. In dirty ambient conditions service interval must be halved.

# SEQUENCE MULTIPLE COMPRESSORS

- C-PRO 1
- C-PRO 2
- C-MASTER



# SEQUENCE MULTIPLE COMPRESSORS



## SEQUENCE MULTIPLE COMPRESSORS

All the BroomWade controllers offer extra communication modules that allow several units to talk to each other and optimise system efficiency. Our controllers allow the system to truly optimise efficiency as they recognise the capabilities of other machines and their operation.

**Depending on the controller and the type of the machine there are the following options :**

UNITS TO SEQUENCE	QTY	FIXED SPEED ONLY				VARIABLE SPEED ONLY
		1-2	1-3	1-4	1-12	
Fixed Speed with C- Pro 1.0 or C- Master controller	ID number	211759A	CC1094891	ZS1071505	ZS1060135	—
	Module	2U	3U	Connect 4	Connect 12	—
Variable speed with C- Master controller	QTY	—	—	—	—	1-12
	ID number	—	—	—	—	ZS1060135
	Module	—	—	—	—	Connect 12
Variable and fixed speed compressors in a unique system with C-PRO 1.0 and / or C- Master	UNITS / QTY	1-12 FIXED & VARIABLE SPEED				
	ID number	ZS1060135				
	Module	Connect 12				
Fixed speed compressors in a unique system with C-PRO 2.0 - FM series	UNITS / QTY	SEQUENCE 1-8 FIXED SPEED COMPRESSORS OR 1-7 FIXED SPEED & 1 VARIABLE SPEED				
	ID number	Standard module - included in C-PRO 2.0				
	Module	—				



BASE, LINE, PRO & ADVANCED SERIES

# PISTON COMPRESSORS

## 1.5 - 22 kW

- Coaxial version, single phase
- Belt driven, with canopy version
- Belt driven, three phase
- Pressure range 8 - 15 bar
- Electric motor 1.5kW - 22kW
- Voltage 230V & 400V





# RELIABLE, STRONG SUITABLE FOR PROFESSIONAL USES

## At a glance...



**Nominal Pressure**  
8 - 15 bar g



**Motor Power**  
22 kW



**Volume Flow**  
190 - 3030 l/min  
6.7 - 106.4 cfm



**Power Sound level**  
68 - 82 dB(A)

Our company has always been associated with long-lasting high-quality products.

This range of piston compressors includes:

- Single-cylinder single-stage with direct transmission for small power outputs suitable for semi-professional uses
- Two-cylinder, single-stage with belt transmission for use in workshops
- Two-cylinder, two-stage with belt transmission for industrial use

Choosing the two-stage model will guarantee lower working temperatures thanks to a cooling manifold between the first and the second compression stage and consequently a higher air delivery. This is achieved by dividing the compression phase into two stages (two cylinders with different volumes).

Other important characteristics that distinguish this range of compressors are:

- Low number of RPM of the pumping unit
- Low noise level
- Correct ratio between the size of the unit, motor power and tank capacity



### Base Series

This range of lubricated direct drive compressors are ideal for hobby and semi-professional applications. Choose from a power range of 1.5 to 3 HP with receiver capacities ranging from 3 to 100 litres and working pressures up to 9 Bar.

### Line Series

This range of belt driven lubricated compressors for semi-professional, professional and light industrial use. The series is entirely manufactured in the EU and is available in power range 2 to 20 HP with tank capacity ranging from 25 to 900 litres and pressures up to 11 Bar.





### Pro Series

This range is a comprehensive range of belt driven lubricated compressors for professional and industrial use. The series is manufactured in the EU and is defined by superior longevity and high construction quality. Available in power range of 2 to 30 HP with tank capacity ranging from 25 to 900 litres and pressures up to 11 Bar.



### Advanced Series

This range offers the best in class option to satisfy the demand of professional and industrial applications. The series represents the best in range and stands out in terms of strong assembly, innovative technical solutions and excellence in detail and design. Power range from 2 to 30 HP with tank capacity ranging from 22 to 900 litres and pressures up to 15 Bar.



### Engine Series

A comprehensive range of Honda petrol engine driven lubricated compressors incorporating the cast iron pump unit. Made in the EU with power ranges from 4 to 9 HP and tank capacities of 22 to 270 litres and pressures up to 10 Bar.



### Silenced Series

This series of silenced belt driven lubricated compressors are designed to meet the needs of professional and industrial applications where low noise levels are critical. Available in a power range of 5.5 to 15 HP and working pressures up to 11 Bar with or without a refrigerated dryer



## Choose the RIGHT solution

### Direct Drive Aluminium Pump



- Simple utilisation
- Oil flutter lubrication
- Cast iron cylinders
- Aluminium piston with 3 rings
- Special inox steel valves
- High efficient ventilation

### Belt Driven Cast Aluminium Pump



- Superior volumetric efficiency
- Aluminium finned cylinders with cast iron liners
- Fast dissipation of heat through the use after coolers
- High air flow flywheels
- Oil sight glass

### Belt Driven Cast Iron Cylinder Pump



- Superior volumetric efficiency
- Cast iron cylinders for longer life
- Fast dissipation of heat through the use after coolers
- High air flow flywheels
- Oil sight glass

## BASE, LINE, PRO & ADVANCED SERIES



### Base plate compressors

A range of base plate and base mounted lubricated belt driven compressor. Available in Line, Pro and Advance series variants.



### Lubricated compressors

Pumping units with cast iron lined and cast iron cylinders, provide excellent wear resistance guaranteeing a long working life and very high reliability. They are suitable for heavy-duty use and are an ideal work tool for professionals and craftsmen. Some vertical models are also available for applications requiring a small footprint.



### Silent compressors

Have been developed to satisfy market demand for compressors that are silenced, reliable, economic and easy to maintain. This new series has been designed to provide the user with a highly reliable product and an excellent price/quality ratio. They are available on a base or on a tank and with an integrated dryer.



### Engine driven compressors

The range of engine driven compressors has been developed to offer portable compressed air powered by a Honda petrol engine. Where the need for total mobility is essential these robust, heavy-duty construction, low power consumption air compressor are ideal. Available in highly portable versions these compressors are ideal for commercial, automotive and agricultural applications. Features include self-adjusting acceleration function, easy start-up, cast iron cylinder pump units and rear rubber and front swivel wheels.



### Principal characteristics

- High noise reduction
- Forced ventilation
- Integrated control panel (if star-delta start, with electronic board)
- Pumping unit with cast-iron cylinder for a long working life
- Finned manifold for air cooling
- Silencer on suction
- Robust steel guards to added protection (Advanced Series)
- Full accessibility of mechanical parts
- Versions on tank with two fixed rear wheels, two front swivel wheels and a convenient handle for easy transport

# Technical data

## Direct Drive Piston Compressors Single Phase Oil Free

**Design:** Direct drive, single phase  
**Pressure Range:** 8 bar  
**Electric motor:** 1.1kW  
**Voltage:** 230V / 50Hz

MODEL	SERIES	START	VOLT	m³/min	CFM	KW	HP	RPM	BAR	PSI	TANK	LWA	dB(A)	DIMENSIONS	KG	CODE
CB-OF-6-CF15	C-Base	DOL	230	0.12	4.2	1.1	1.5	3400	8	116	6	97	82	350x320x310	8	CC55906039NC

## Direct Drive Piston Compressors Single Phase Lubricated

**Design:** Direct drive, single phase  
**Pressure Range:** 8 - 9 bar  
**Electric motor:** 1.1 to 2.2kW  
**Voltage:** 230V / 50Hz

MODEL	SERIES	START	VOLT	m³/min	CFM	KW	HP	RPM	BAR	PSI	TANK	LWA	dB(A)	DIMENSIONS	KG	CODE
CB-3-CF2	C-Base	DOL	230	0.19	6.7	1.5	2	2850	8	116	3	90	76	470x360x530	19	CC55899017NC
CB-24-CM2	C-Base	DOL	230	0.19	6.7	1.5	2	2850	8	116	24	90	76	610x270x600	25	CC55898878NC
CB-50-CM2	C-Base	DOL	230	0.19	6.7	1.5	2	2850	8	116	50	90	76	850x330x720	34	CC55898969NC
CB-100-CM2	C-Base	DOL	230	0.19	6.7	1.5	2	2850	8	116	100	90	76	1000x400x800	44	CC55899249NC
CB-24-CM25	C-Base	DOL	230	0.24	8.4	1.8	2.5	2850	9	130	24	94	79	610x280x630	28	CC55900391NC
CB-50-CM25	C-Base	DOL	230	0.24	8.4	1.8	2.5	2850	9	130	50	94	79	850x330x720	37	CC55899660NC
CB-100-CM25	C-Base	DOL	230	0.24	8.4	1.8	2.5	2850	9	130	100	94	79	1000x400x800	47	CC55899678NC
CB-24-WB3	C-Base	DOL	230	0.34	12	2.2	3	2850	9	130	24	96	82	600x440x750	34	CC55900383NC
CB-50-CM3	C-Base	DOL	230	0.34	12	2.2	3	2850	9	130	50	96	82	850x330x720	43	CC55899041NC
CB-100-CM3	C-Base	DOL	230	0.34	12	2.2	3	2850	9	130	100	96	82	1000x400x800	52	CC55899058NC
CB-50V-CM3	C-Base	DOL	230	0.34	12	2.2	3	2850	9	130	50V	96	82	550x630x1030	42	CC55900399NC

# BASE, LINE, PRO & ADVANCED SERIES

## Belt Driven Single Stage Compressors Single Phase Lubricated

**Design:** Belt Driven, single phase  
**Pressure Range:** 10 bar  
**Electric motor:** 1.5 to 2.2 kW  
**Voltage:** 230-400V / 50Hz

MODEL	SERIES	START	VOLT	m <sup>3</sup> /min	CFM	KW	HP	RPM	BAR	PSI	TANK	LWA	dB(A)	DIMENSIONS	KG	CODE
CL28B-25-CM2	C-Line	DOL	230	0.25	8.9	1.5	2	1400	10	145	25	91	77	770x350x690	38	CC97242549NC
CP28B-25-CM2	C-Pro	DOL	230	0.25	8.9	1.5	2	1400	10	145	25	90	76	770x350x590	40	CC55895072NC
CL28-50-CM2	C-Line	DOL	230	0.25	8.9	1.5	2	1400	10	145	50	91	77	850x380x730	39	CC55901999NC
CP28B-50-CM2	C-Pro	DOL	230	0.25	8.9	1.5	2	1400	10	145	50	90	76	850x380x730	43	CC55894984NC
CL28-100-CM2	C-Line	DOL	230	0.25	8.9	1.5	2	1400	10	145	100	91	77	1000x400x800	51	CC55902007NC
CP28-100-CM2	C-Pro	DOL	230	0.25	8.9	1.5	2	1400	10	145	100	90	76	1000x400x800	53	CC55902391NC
CL28-150-CM2	C-Line	DOL	230	0.25	8.9	1.5	2	1400	10	145	150	91	77	1320x450x920	69	CC55903919NC
CP28-150-CM2	C-Pro	DOL	230	0.25	8.9	1.5	2	1400	10	145	150	90	76	1320x450x920	71	CC55903999NC
CP28B-50-CM3	C-Pro	DOL	230	0.29	10.4	2.2	3	1620	10	145	50	90	76	850x380x730	45	CC55900015NC
CA28B-50-CM3	C-Advanced	DOL	230	0.29	10.4	2.2	3	1620	10	145	50	90	76	850x380x730	47	CC55901127NC
CL28-100-CM3	C-Line	DOL	230	0.29	10.4	2.2	3	1620	10	145	100	91	77	1000x400x800	54	CC55903143NC
CL28-100-CT3	C-Line	DOL	400	0.29	10.4	2.2	3	1620	10	145	100	91	77	1000x400x800	54	CC55903647NC
CP28B-100-CM3	C-Pro	DOL	230	0.29	10.4	2.2	3	1620	10	145	100	90	76	1080x400x800	60	CC55900023NC
CA28B-100-CM3	C-Advanced	DOL	230	0.29	10.4	2.2	3	1620	10	145	100	90	76	1080x400x800	62	CC55901135NC
CL28-150-CM3	C-Line	DOL	230	0.29	10.4	2.2	3	1620	10	145	150	91	77	1320x450x920	72	CC55903959NC
CL28-150-CT3	C-Line	DOL	400	0.29	10.4	2.2	3	1620	10	145	150	91	77	1320x450x920	72	CC55903975NC
CP28B-150-CM3	C-Pro	DOL	230	0.29	10.4	2.2	3	1620	10	145	150	90	76	1320x450x920	75	CC55900031NC
CA28B-150-CM3	C-Advanced	DOL	230	0.29	10.4	2.2	3	1620	10	145	150	90	76	1320x450x920	77	CC55901143NC
CA28B-150-CT3	C-Advanced	DOL	400	0.29	10.4	2.2	3	1620	10	145	150	90	76	1320x450x920	77	CC55901175NC
CA3-150-CM3	C-Advanced	DOL	230	0.31	11.1	2.2	3	1400	10	145	150	89	75	1320x450x920	80	CC55901207NC
CA3-150-CT3	C-Advanced	DOL	400	0.31	11.1	2.2	3	1400	10	145	150	89	75	1320x450x920	80	CC55901247NC
CL28-200-CT3	C-Line	DOL	400	0.29	10.4	2.2	3	1620	10	145	200	91	77	1450x460x940	87	CC55903983NC
CL28B-200-FM3	C-Line	DOL	230	0.29	10.4	2.2	3	1620	10	145	200	91	77	1450x460x940	88	CC55879902NC
CP28B-200-CM3	C-Pro	DOL	230	0.29	10.4	2.2	3	1620	10	145	200	90	76	1450x460x940	90	CC55900039NC
CP3-200-CM3	C-Pro	DOL	230	0.31	11.1	2.2	3	1400	10	145	200	92	78	1450x460x940	93	CC55894653NC
CP3-200-CT3	C-Pro	DOL	400	0.31	11.1	2.2	3	1400	10	145	200	92	78	1450x460x940	93	CC55895213NC
CA28B-200-CM3	C-Advanced	DOL	230	0.29	10.4	2.2	3	1620	10	145	200	90	76	1450x460x940	92	CC55901151NC
CA28B-200-CT3	C-Advanced	DOL	400	0.29	10.4	2.2	3	1620	10	145	200	90	76	1450x460x940	92	CC55901183NC
CA3-200-CM3	C-Advanced	DOL	230	0.31	11.1	2.2	3	1400	10	145	200	89	75	1450x460x940	95	CC55901215NC
CA3-200-CT3	C-Advanced	DOL	400	0.31	11.1	2.2	3	1400	10	145	200	89	75	1450x460x940	95	CC55901255NC
CL28B-270-CM3	C-Line	DOL	230	0.29	10.4	2.2	3	1620	10	145	270	91	77	1550x570x1120	106	CC55900247NC
CL3-270-CT3	C-Line	DOL	400	0.31	11.1	2.2	3	1400	10	145	270	91	77	1550x570x1120	108	CC55896393NC
CP3-270-CM3	C-Pro	DOL	230	0.31	11.1	2.2	3	1400	10	145	270	92	78	1550x570x1120	111	CC55896419NC
CP3-270-CT3	C-Pro	DOL	400	0.31	11.1	2.2	3	1400	10	145	270	92	78	1550x570x1120	111	CC55896427NC
CL4-270-FM3	C-Line	DOL	230	0.42	14.9	2.2	3	1100	10	145	270	91	77	1550x570x1120	114	CC55904199NC
CP4-270-FT3	C-Pro	DOL	400	0.42	14.9	2.2	3	1100	10	145	270	88	74	1550x570x1120	114	CC55901975NC
CA4-270-FT3	C-Advanced	DOL	400	0.42	14.9	2.2	3	1100	10	145	270	88	74	1550x570x1120	116	CC55900887NC

# Belt Driven Two Stage Compressors

## Three Phase Lubricated

**Design:** Belt driven, three phase

**Pressure Range:** 10 - 11 bar

**Electric motor:** 3 to 11 kW

**Voltage:** 400V / 50Hz

MODEL	SERIES	START	VOLT	m <sup>3</sup> /min	CFM	KW	HP	RPM	BAR	PSI	TANK	LWA	dB(A)	DIMENSIONS	KG	CODE
CL4-200-FT4	C-Line	DOL	400	0.54	19.1	3	4	1400	10	145	200	89	75	1450x500x1070	96	CC97242564NC
CP4-200-FT4	C-Pro	DOL	400	0.54	19.1	3	4	1400	10	145	200	88	74	1450x500x1070	100	CC55895270NC
CA4-200-FT4	C-Advanced	DOL	400	0.54	19.1	3	4	1400	10	145	200	88	74	1450x500x1070	102	CC55901295NC
CL4-270-FT4	C-Line	DOL	400	0.54	19.1	3	4	1400	10	145	270	89	75	1550x570x1120	113	CC97239214NC
CP4-270-CT4	C-Pro	DOL	400	0.54	19.1	3	4	1400	10	145	270	97	82	1550x570x1120	120	CC55895296NC
CL5-200-FT55	C-Line	DOL	400	0.61	21.4	4	5.5	1400	11	159	200	97	82	1450x500x1070	119	CC55896054NC
CP5-200-FT55	C-Pro	DOL	400	0.61	21.4	4	5.5	1400	11	159	200	96	81	1450x500x1070	124	CC55895346NC
CA5-200-FT55	C-Advanced	DOL	400	0.61	21.4	4	5.5	1400	11	159	200	96	81	1450x500x1070	126	CC55901335NC
CL5-500-FT55	C-Line	DOL	400	0.61	21.4	4	5.5	1400	11	159	500	97	82	2030x680x1310	205	CC97247704NC
CL6-200-FT75	C-Line	DOL	400	0.80	28.2	5.5	7.5	1400	11	159	200	97	82	1450x500x1070	126	CC55897441NC
CP6-200-FT75	C-Pro	DOL	400	0.80	28.2	5.5	7.5	1400	11	159	200	96	81	1450x500x1070	131	CC55904735NC
CA6-200-FT75	C-Advanced	DOL	400	0.80	28.2	5.5	7.5	1400	11	159	200	96	81	1450x500x1070	132	CC55904743NC
CL6-270-FT75	C-Line	DOL	400	0.80	28.2	5.5	7.5	1400	11	159	270	97	82	1550x570x1200	143	CC97239230NC
CP6-270-FT75	C-Pro	DOL	400	0.80	28.2	5.5	7.5	1400	11	159	270	96	81	1550x570x1200	148	CC55895601NC
CP6-500-CT75	C-Pro	DOL	400	0.80	28.2	5.5	7.5	1400	11	159	500	97	82	2030x680x1310	222	CC55895627NC
CA6-270-CT75	C-Advanced	DOL	400	0.80	28.2	5.5	7.5	1400	11	159	270	96	81	1550x570x1200	153	CC55901375NC
CL5-500-FT75	C-Line	DOL	400	0.61	21.4	5.5	7.5	1400	11	159	500	97	82	2030x680x1310	211	CC55904943NC
CL10-270-FT10	C-Line	DOL	400	1.25	44.1	7.5	10	1320	11	159	270	97	82	1550x570x1200	166	CC55896245NC
CL10-270-FT10 SDS	C-Line	SDS	400	1.25	44.1	7.5	10	1320	11	159	270	97	82	1550x570x1200	166	CC55904223NC
CP10-270-FT10	C-Pro	DOL	400	1.25	44.1	7.5	10	1320	11	159	270	96	81	1550x570x1200	176	CC55895700NC
CP10-270-FT10 SDS	C-Pro	SDS	400	1.25	44.1	7.5	10	1320	11	159	270	96	81	1550x570x1200	193	CC55897466NC
CL10-500-FT10	C-Line	DOL	400	1.25	44.1	7.5	10	1320	11	159	500	97	82	2030x680x1310	236	CC55880223NC
CA6-500-FT10	C-Advanced	DOL	400	0.80	28.2	7.5	10	1400	11	159	500	96	81	2030x680x1310	234	CC55905023NC
CL10-900-FT10	C-Line	DOL	400	1.25	44.1	7.5	10	1320	11	159	900	97	82	2120x900x1580	326	CC55900407NC
CA15-500-FT155	C-Advanced	DOL	400	1.51	53.2	11	15	1320	11	159	500	96	81	2030x680x1310	258	CC55895759NC
CA15-500-FT155 SDS	C-Advanced	SDS	400	1.51	53.2	11	15	1320	11	159	500	96	81	2030x680x1310	275	CC55897821NC
CA15-900-FT155	C-Advanced	DOL	400	1.51	53.2	11	15	1320	11	159	900	96	81	2120x900x1580	348	CC55895575NC
CA15-900-FT155 SDS	C-Advanced	SDS	400	1.51	53.2	11	15	1320	11	159	900	96	81	2120x900x1580	365	CC55900735NC

# BASE, LINE, PRO & ADVANCED SERIES

## Belt Driven Tandem Compressors Single & Three Phase Lubricated

**Design:** Belt Driven, single & three phase  
**Pressure Range:** 11 bar  
**Electric motor:** 4.4 to 22 kW  
**Voltage:** 230-400V / 50Hz

MODEL	SERIES	START	VOLT	m <sup>3</sup> /min	CFM	KW	HP	RPM	BAR	PSI	TANK	LWA	dB(A)	DIMENSIONS	KG	CODE
CL4-300-FM3 TD	C-Line	DOL	230	0.85	29.9	2.2 + 2.2	3 + 3	1100	11	159	300	97	82	1700x570x1120	150	CC55904703NC
CP4-300-FM3 TD	C-Pro	DOL	230	0.85	29.9	2.2 + 2.2	3 + 3	1400	11	159	300	96	81	1700x570x1120	160	CC55904383NC
CA4-300-FT4 TD	C-Advanced	DOL	400	1.08	38.3	3 + 3	4 + 4	1400	11	159	300	96	81	1700x570x1120	164	CC55904727NC
CL5-500-FT55 TD	C-Line	DOL	400	1.20	42.5	4 + 4	5.5 + 5.5	1400	11	159	500	97	82	2030x680x1310	270	CC55883656NC
CP5-500-FT55 TD	C-Pro	DOL	400	1.20	42.5	4 + 4	5.5 + 5.5	1400	11	159	500	97	82	2030x680x1310	280	CC55895809NC
CA5-500-FT55 TD	C-Advanced	DOL	400	1.20	42.5	4 + 4	5.5 + 5.5	1400	11	159	500	96	81	2030x680x1310	284	CC55901463NC
CL6-500-FT75 TD	C-Line	DOL	400	1.60	56.4	5.5 + 5.5	7.5 + 7.5	1400	11	159	500	97	82	2030x680x1310	290	CC55876080NC
CP6-500-FT75 TD	C-Pro	DOL	400	1.60	56.4	5.5 + 5.5	7.5 + 7.5	1400	11	159	500	97	82	2030x680x1310	300	CC55895841NC
CA6-500-FT75 TD	C-Advanced	DOL	400	1.60	56.4	5.5 + 5.5	7.5 + 7.5	1400	11	159	500	96	81	2030x680x1310	304	CC55890147NC
CL6-900-FT75 TD	C-Line	DOL	400	1.60	56.4	5.5 + 5.5	7.5 + 7.5	1400	11	159	900	97	82	2120x900x1580	380	CC97241772NC
CP6-900-FT75 TD	C-Pro	DOL	400	1.60	56.4	5.5 + 5.5	7.5 + 7.5	1400	11	159	900	97	82	2120x900x1580	390	CC55895866NC
CA6-900-FT75 TD	C-Advanced	DOL	400	1.60	56.4	5.5 + 5.5	7.5 + 7.5	1400	11	159	900	96	81	2120x900x1580	394	CC55901479NC
CA10-500-FT10 TD	C-Advanced	DOL	400	2.49	88.1	7.5 + 7.5	10 + 10	1320	11	159	500	96	81	2030x680x1310	361	CC55895882NC
CL10-900-FT10 TD	C-Line	DOL	400	2.49	88.1	7.5 + 7.5	10 + 10	1320	11	159	900	97	82	2120x900x1580	431	CC97241780NC
CA10-900-FT10 TD	C-Advanced	DOL	400	2.49	88.1	7.5 + 7.5	10 + 10	1320	11	159	900	96	81	2120x900x1580	451	CC55895890NC
CP15-900-FT155 TD	C-Pro	DOL	400	3.01	106.4	11 + 11	15 + 15	1320	11	159	900	96	81	2120x900x1580	475	CC55895916NC

## Belt Driven Vertical Receiver Compressors Single & Three Phase Lubricated

**Design:** Belt Driven, single & three phase  
**Pressure Range:** 10 - 11 bar  
**Electric motor:** 2.2 to 7.5 kW  
**Voltage:** 230-400V / 50Hz

MODEL	SERIES	START	VOLT	m <sup>3</sup> /min	CFM	KW	HP	RPM	BAR	PSI	TANK	LWA	dB(A)	DIMENSIONS	KG	CODE
CA3-150V-FM3	C-Advanced	DOL	230	0.31	11.1	2.2	3	1400	10	145	150V	89	75	770x560x1690	90	CC55901923NC
CA3-150V-FT3	C-Advanced	DOL	400	0.31	11.1	2.2	3	1400	10	145	150V	89	75	770x560x1690	90	CC55901431NC
CA4-150V-FT4	C-Advanced	DOL	400	0.54	19.1	3	4	1400	10	145	150V	88	74	770x560x1690	99	CC55901439NC
CA5-270V-FT55	C-Advanced	DOL	400	0.61	21.4	4	5.5	1400	11	159	270V	96	81	900x630x1950	151	CC55901447NC
CA6-270V-FT75	C-Advanced	DOL	400	0.80	28.2	5.5	7.5	1400	11	159	270V	96	81	900x630x1950	158	CC55901455NC
CA10-270V-FT10 SDS	C-Advanced	SDS	400	1.25	44.1	7.5	10	1320	11	159	270V	96	81	900x630x1950	201	CC55900863NC



## Belt Driven Base Mounted Compressors

### Single Phase Lubricated

**Design:** Belt Driven, single & three phase  
**Pressure Range:** 10 - 11 bar  
**Electric motor:** 1.5 to 11 kW  
**Voltage:** 230-400V / 50Hz

MODEL	SERIES	START	VOLT	m <sup>3</sup> /min	CFM	KW	HP	RPM	BAR	PSI	TANK	LWA	dB(A)	DIMENSIONS	KG	CODE
CA28B-BP-FM2	C-Advanced	DOL	230	0.25	8.9	1.5	2	1400	10	145	Base Plate	90	76	700x360x400	27	CC55901487NC
CA3-BP-FM3	C-Advanced	DOL	230	0.31	11.1	2.2	3	1400	10	145	Base Plate	89	75	700x400x480	32	CC55901495NC
CA3-BP-FT3	C-Advanced	DOL	400	0.31	11.1	2.2	3	1400	10	145	Base Plate	89	75	700x400x480	32	CC55901511NC
CA4-BP-FT4	C-Advanced	DOL	400	0.54	19.1	3	4	1400	10	145	Base Plate	88	74	840x420x520	40	CC55901519NC
CA5-BP-FT55	C-Advanced	DOL	400	0.61	21.4	4	5.5	1400	11	159	Base Plate	96	81	1050x550x650	70	CC55901527NC
CP5-BM-FT75	C-Pro	DOL	400	0.80	28.2	5.5	7.5	1400	11	159	Base Mount	96	81	1050x550x650	81	CC55900439NC
CA6-BP-FT75	C-Advanced	DOL	400	0.80	28.2	5.5	7.5	1400	11	159	Base Plate	96	81	1050x550x650	78	CC55901535NC
CA6-BM-FT75	C-Advanced	DOL	400	0.80	28.2	5.5	7.5	1400	11	159	Base Mount	96	81	1050x550x650	83	CC55901543NC
CP10-BP-FT10	C-Pro	DOL	400	1.25	44.1	7.5	10	1320	11	159	Base Plate	96	81	1050x550x650	104	CC55896351NC
CP10-BM-FT10	C-Pro	DOL	400	1.25	44.1	7.5	10	1320	11	159	Base Mount	96	81	1050x550x650	109	CC55900447NC
CP15-BP-FT155	C-Pro	DOL	400	1.51	53.2	11	15	1320	11	159	Base Mount	96	81	1050x550x650	121	CC55900455NC
CA15-BP-FT155	C-Advanced	DOL	400	1.51	53.2	11	15	1320	11	159	Base Plate	96	81	1050x550x650	116	CC55896369NC

## Belt Driven 15 Bar Compressors

### Three Phase Lubricated

**Design:** Belt Driven, three phase  
**Pressure Range:** 15 bar  
**Electric motor:** 4 to 5.5 kW  
**Voltage:** 230-400V / 50Hz

MODEL	SERIES	START	VOLT	m <sup>3</sup> /min	CFM	KW	HP	RPM	BAR	PSI	TANK	LWA	dB(A)	DIMENSIONS	KG	CODE
CA5-270-15-FT55	C-Advanced	DOL	400	0.43	15.3	4	5.5	1000	15	218	270	96	81	1550x570x1200	143	CC55904303NC
CA6-270-15-FT75	C-Advanced	DOL	400	0.57	20.1	5.5	7.5	1000	15	218	270	96	81	1550x570x1200	150	CC55903639NC
CA10-500-15-FT10	C-Advanced	DOL	400	0.94	33.3	7.5	10	1000	15	218	500	96	81	2030x680x1310	246	CC55900431NC
CA10-500-15-FT10 SDS	C-Advanced	SDS	400	0.94	33.3	7.5	10	1000	15	218	500	96	81	2030x680x1310	263	CC55900847NC
CA10-BM-15-FT10	C-Advanced	DOL	400	0.94	33.3	7.5	10	1400	15	218	Base Mount	96	81	1050x550x650	109	CC55901767NC
CA15-500-15-FT155 SDS	C-Advanced	SDS	400	1.14	40.3	11	15	1000	15	218	500	96	81	2030x680x1310	275	CC55900839NC
CS6-15-FT75	C-Silenced	DOL	400	0.57	20.2	5.5	7.5	1400	15	218	Floor	90	68	960x660x800	165	CC55905063NC
CS6-500-15-FT75 SDS	C-Silenced	SDS	400	0.57	20.2	5.5	7.5	1400	15	218	500	90	68	2120x900x1580	289	CC55905039NC

# BASE, LINE, PRO & ADVANCED SERIES

## Belt Driven Engine Driven Compressors Honda Petrol

**Design:** Belt Driven, portable  
**Pressure Range:** 10 bar  
**Engine:** 4 to 9 HP

MODEL	SERIES	START	VOLT	m <sup>3</sup> /min	CFM	KW	HP	RPM	BAR	PSI	TANK	LWA	dB(A)	DIMENSIONS	KG	CODE
CA3-11+11-C4	C-Engine	-	Honda	0.30	10.5	3	4	1310	10	145	11+11	89	75	750x700x700	63	CC55900463NC
CA4-100-C55	C-Engine	-	Honda	0.42	14.9	4	5.5	1100	10	145	100	88	74	1080X400X800	82	CC55900495NC
CA4-150-C55	C-Engine	-	Honda	0.42	14.9	4	5.5	1100	10	145	150	88	74	1320x500x1030	97	CC55904207NC
CA4-200-C55	C-Engine	-	Honda	0.42	14.9	4	5.5	1100	10	145	200	88	74	1450x500x1070	107	CC55900519NC
CA5-270-C9	C-Engine	-	Honda	0.56	19.7	7.1	9	1300	10	145	270	96	81	1550X570X1200	160	CC55900503NC
CA6-270-C9	C-Engine	-	Honda	0.68	24.1	7.1	9	1200	10	145	270	96	81	1550X570X1200	165	CC55900511NC

## Belt Driven Silenced Compressors Single & Three Phase Lubricated

**Design:** Belt Driven, single & three phase  
**Pressure Range:** 10 - 11 bar  
**Electric motor:** 2.2 to 11 kW  
**Voltage:** 230-400V / 50Hz

MODEL	SERIES	START	VOLT	m <sup>3</sup> /min	CFM	KW	HP	RPM	BAR	PSI	TANK	LWA	dB(A)	DIMENSIONS	KG	CODE
CS3-24-FM3	C-Silenced	DOL	230	0.31	11.1	2.2	3	1400	10	145	24	78	62	840x600x1140	104	CC55903823NC
CS3-24-FT3	C-Silenced	DOL	400	0.31	11.1	2.2	3	1400	10	145	24	78	62	840x600x1140	104	CC55903831NC
CS3-200-CM3	C-Silenced	DOL	230	0.31	11.1	2.2	3	1400	11	159	200	78	62	1550x750x1510	154	CC55904623NC
CS3-200-FT3	C-Silenced	DOL	400	0.31	11.1	2.2	3	1400	11	159	200	78	62	1550x750x1510	152	CC55904647NC
CS4-FT4	C-Silenced	DOL	400	0.54	19.1	3	4	1400	10	145	Floor	83	68	840x640x910	112	CC55901631NC
CS4-200-FT4	C-Silenced	DOL	400	0.54	19.1	3	4	1400	11	159	200	83	68	1550x750x1510	160	CC55904671NC
CS6-FT55	C-Silenced	DOL	400	0.66	23.2	4	5.5	1150	11	159	Floor	83	68	960x660x800	153	CC55903839NC
CS6-270-FT55	C-Silenced	DOL	400	0.66	23.2	4	5.5	1150	11	159	270	83	68	1550x750x1510	228	CC55903847NC
CS6-FT75	C-Silenced	DOL	400	0.80	28.2	5.5	7.5	1400	11	159	Floor	83	68	960x660x800	165	CC97249528NC
CS6-270-FT75	C-Silenced	DOL	400	0.80	28.2	5.5	7.5	1400	11	159	270	83	68	1550x750x1510	240	CC97249502NC
CS10-FT10	C-Silenced	DOL	400	1.25	44.1	7.5	10	1320	11	159	Floor	83	68	1040x740x870	190	CC97249536NC
CS10-FT10 SDS	C-Silenced	SDS	400	1.25	44.1	7.5	10	1320	11	159	Floor	83	68	1040x740x870	194	CC97249593NC
CS10-500-FT10	C-Silenced	DOL	400	1.25	44.1	7.5	10	1320	11	159	500	83	68	2120x900x1580	310	CC97249569NC
CS10-500-FT10 SDS	C-Silenced	SDS	400	1.25	44.1	7.5	10	1320	11	159	500	83	68	2120x900x1580	314	CC97249627NC
CS15-FT155	C-Silenced	DOL	400	1.51	53.2	11	15	1320	11	159	Floor	83	68	1040x740x870	200	CC97249478NC
CS15-FT155 SDS	C-Silenced	SDS	400	1.51	53.2	11	15	1320	11	159	Floor	83	68	1040x740x870	204	CC97249486NC
CS15-500-FT155	C-Silenced	DOL	400	1.51	53.2	11	15	1320	11	159	500	83	68	2120x900x1580	320	CC97249635NC
CS15-500-FT155 SDS	C-Silenced	SDS	400	1.51	53.2	11	15	1320	11	159	500	83	68	2120x900x1580	324	CC97249494NC

# Belt Driven Silenced Compressors + Refrigerated Dryer

## Single & Three Phase Lubricated

**Design:** Belt Driven, single & three phase  
**Pressure Range:** 11 bar  
**Electric motor:** 4 to 11 kW  
**Voltage:** 230-400V / 50Hz

MODEL	SERIES	START	VOLT	m <sup>3</sup> /min	CFM	KW	HP	RPM	BAR	PSI	TANK	LWA	dB(A)	DIMENSIONS	KG	CODE
CS5-270-E-FT55	C-Silenced	DOL	400	0.61	21.4	4	5.5	1400	11	159	270	83	68	1550x750x1510	255	CC55902263NC
CS6-270-E-FT75	C-Silenced	DOL	400	0.80	28.2	5.5	7.5	1400	11	159	270	83	68	1550x750x1510	270	CC55902367NC
CS10-500-E-FT10	C-Silenced	DOL	400	1.25	44.1	7.5	10	1320	11	159	500	83	68	2120x900x1580	340	CC55880181NC
CS10-500-E-FT10 SDS	C-Silenced	SDS	400	1.25	44.1	7.5	10	1320	11	159	500	83	68	2120x900x1580	344	CC97254213NC
CS15-500-E-FT155	C-Silenced	DOL	400	1.51	53.2	11	15	1320	11	159	500	83	68	2120x900x1580	350	CC55880165NC
CS15-500-E-FT155 SDS	C-Silenced	SDS	400	1.51	53.2	11	15	1320	11	159	500	83	68	2120x900x1580	354	CC55880157NC

### SERVICE KITS PISTON COMPRESSORS

C-Base, C-Line, C-Advanced, C-Pro, C-Engine series

MODEL RANGES	GASKET KIT CODE	VALVE PLATE KIT CODE	INTAKE FILTER CODE	NRV CODE
CA3 ; CL3 ; CS3	CC55886980	CC91894881	CC55875132	CC55894513
CA4 ; CP4 ; CS4	CC92060037	CC97155576	CC55875132	CC55894513
CA5 ; CL5	CC55893648	CC55893622	CC55898936	CC55894521
CA6 ; CP6 ; CS6	CC97241376	CC97159594	CC55898936	CC55894521
CA10 ; CL10 ; CP10 ; CS10	CC55893655	CC55894133	CC55898936	CC55894521
CA15 ; CP15 ; CS15	CC55894224	CC55894141	CC55898936	CC55894521
CA28 ; CL28 ; CP28	CC97251615	CC91894881	CC55875140	CC97160634
CB-100-CM2 CB-24-CM2 CB-3-CF2 CB-50-CM2	CC55899108	CC55899090	CC55899132	CC97160634
CB-100-CM3 CB-24-WB3 CB-50-CM3 CB-50V-CM3	CC55899405	CC55899090	CC55899132	CC55904375
CB-100-CM25 CB-24-CM25 CB-50-CM25		CC55899090	CC55890079	CC97160634
CB6			CC55890087	

Only the following lubricants are allowed to be used

- SAE40 - Viscosity 100

- CM** Portable Single Phase
- CT** Portable 3 Phase
- FM** Static Single Phase
- FT** Static 3 Phase
- PM** Carry Single Phase
- CF** Carry Frame Design
- WB** Wheel Barrow Design
- BP** Base Plate
- BM** Base Mount

- SDS** Start Delta Start
- TD** Tandem (Electric Cabinet)
- E** Refrigerated Dryer

BroomWade have over 420 models in the range - contact the sales team for other variants

Optional SDS electric panel available

All capacities shown are displacement figures

Alternative frequency of 60Hz - specific on order

Optional Rubber Mounts (AV) **CC97221022**

# RECIPROCATING CAST IRON COMPRESSORS

1.1 - 7.5 kW

- High efficiency 400V/3 phase/50Hz IP55 electric motor
- Belt driven
- Cast iron cylinder with cooling fins and special aluminium alloy cylinder heads
- Pressure range 8 - 15 bar
- Electric motor 1.5kW - 7.5kW
- Tank 80 - 500 litres



# TROUBLE FREE AND A LONG SERVICE LIFE

### At a glance...



**Nominal Pressure**  
8 - 15 bar g



**Motor Power**  
1.1 - 7.5 kW



**Volume Flow**  
205 - 1657 l/min  
7.2 - 58.5 cfm



**Power Sound level**  
68 - 82 dB(A)



BroomWade, the smart and affordable compressed air solution, make available a range of reciprocating cast iron compressors. Trouble free and with a long service life, these can be used safely in many applications with single and double stage options. Choose from base plate or receiver mounted with 230 volt options on selected models.

#### Main motor and drive system

- High efficiency 400V/3 phase/50Hz IP55 electric motor
- Special loadless start system
- Automatic discharge system for loadless start
- Belt Driven
- Specially designed fan type pulleys
- Easy tensioning of belt

#### Compressor block

- Cast iron cylinder with cooling fins and special aluminium alloy cylinder heads
- Specially designed high-speed stainless steel concentric valves
- Cast iron crankcases with high strength
- Dynamically-balanced cast steel crankshaft and counterweight
- Special alloy aluminium pistons and steel cast connecting rods
- Specially designed finger-type, high-capacity stainless steel suction-discharge valves
- Stainless steel suction-discharge valves, specially designed for high pressure strength

#### Safety systems

- Solenoid discharge valve for loadless start (on models over 4 kW)
- Pressure switch
- Check valve
- Belt pulley guard
- Relief valve
- Easy tensioning of belt

#### Other features

- CE Certified air tanks complying with SPVD (Simple Pressure Vessel Directive) and designed as per EN 286-1 standard
- Bearings with a long service life
- Air suction filter and silencer
- Impact lubrication system
- Starting panel (For 1.1 - 4 kW models)

#### Options

- Automatic Condensate Discharge
- Valve for the Air Tank
- Star delta motor starting panel (5.5-7.5 kW models)



## Technical data

### Belt Driven Cast Iron Compressors Lubricated Single & Three Phase

**Design:** Belt Drive, single and three phase  
**Pressure Range:** 8 - 15 bar  
**Tank:** 80 - 500 Litres  
**Capacity:** 7.2 to 58.5 CFM

MODEL	PRESSURE		CAPACITY		MOTOR POWER		VOLT V	GAS PORT	DIMENSIONS W x L x H	WEIGHT KG	TANK L	CODE
	BAR	PSI	L/MIN	SCFM	KW	HP						
CPI-80-FM15	8	115	205	7.2	1.1	1.5	230	1/2"	1202 x 426 x 894	93	80	CC1197241
CPI-80-FT15	8	115	205	7.2	1.1	1.5	400	1/2"	1202 x 426 x 894	93	80	CC1197240
CPI-80-FT2	8	115	327	11.5	1.5	2	400	1/2"	1202 x 426 x 914	106	80	CC1197242
CPI-80-FM2	8	115	327	11.5	1.5	2	230	1/2"	1202 x 426 x 914	106	80	CC1197243
CPI-200-FT3	8	115	410	14.5	2.2	3	400	1/2"	1531 x 450 x 1037	135	200	CC1197284
CPI-200-FM3	8	115	410	14.5	2.2	3	230	1/2"	1531 x 450 x 1037	135	200	CC1197285
CPI-250-FT55	8	115	607	21.4	4	5.5	400	1/2"	1830 x 466 x 1145	209	250	CC1197286
CPI-500-FT55	8	115	607	21.4	4	5.5	400	1/2"	1830 x 466 x 1145	209	500	CC1197287
CPI-500-FT75	8	115	1013	35.8	5.5	7.5	400	3/4"	1927 x 664 x 1291	308	500	CC1197288
CPI-500-FT10	8	115	1657	58.5	7.5	10	400	3/4"	1926 x 668 x 1413	390	500	CC1197289
CPI-200-FM2-12	12	175	205	7.2	1.5	2	230	1/2"	1532 x 450 x 983	145	200	CC1197291
CPI-200-FT2-12	12	175	205	7.2	1.5	2	400	1/2"	1532 x 450 x 983	145	200	CC1197290
CPI-250-FT55-15	15	215	507	17.9	4	5.5	400	3/4"	1832 x 474 x 1097	230	250	CC1197292
CPI-500-FT10-12	12	175	856	30.2	7.5	10	400	3/4"	1920 x 658 x 1298	374	500	CC1197293
CPI-500-FT10-15	15	215	828	29.2	7.5	10	400	3/4"	1925 x 669 x 1406	439	500	CC1197294

12 & 15 bar models are 2-stage piston  
 CPI-80 models are portable (wheels & handle)  
 Star Delta Start standard on 10HP models  
 Star Delta Start optional on 5.5 kW models  
 Base Plate and bare pumps available

ROTARY VANE AIR

# ROTARY VANE AIR COMPRESSORS

- Exceptional reliability
- 2 year standard warranty
- Sophisticated simple design
- High quality air
- No gears
- Low noise levels
- No belts
- Direct drive







**BroomWade**

# ROTARY VANE AIR COMPRESSORS

## At a glance...

 **Nominal Pressure**  
10 bar

 **Voltage**  
50 / 60Hz

 **Volume Flow**  
0.1 - 0.6 m<sup>3</sup>/min



## The right compressor for your business

### Reliable by Design

#### Direct drive

No gears. No belts. Up to 100,000+ operating hours due to its simple integral design.

#### High quality air

Clean, dry and pulse free straight from the outlet means less downstream equipment required.

#### Slow speed

1450 - 1760 rpm speed operation results in low noise, low stresses and long life.

#### Common replacement parts

Quick, cost-effective servicing, with minimal downtime.

### Guaranteed

2 years standard warranty is now available for total peace of mind on all BroomWade Vane models.

### High quality starter

A high quality starter with robust control circuit, including over-temperature protection.



BroomWade Vanes can be combined with membrane dryers and aftercooler kits. (Both solutions are offered as retrofit kits or factory fitted).

The membrane dryer kits integrate perfectly with BroomWade vanes to provide a compact and efficient air drying and filtration solution. The Dryer kits include: Membrane dryer, after cooler, manual water drain, tap, 0.1 micron & 0.01 micron filters.

The after cooler kits are designed to efficiency cool the outlet air and to reduce moisture. The after cooler kits also include a manual drain tap.



## Rotary Vane Air Compressors

**Design:** Open - fixed speed

**Pressure Range:** 10 bar

**Electric motor:** 1.1 - 4kW

CODE	MODEL	VOLTAGE	PHASE	COMPRESSED AIR OUTPUT		MAX. WORKING PRESSURE		MOTOR POWER	NOISE LEVEL	DIMENSIONS L x W x H	WEIGHT	AIR OUTLET SIZE
				[m <sup>3</sup> / min]	[CFM]	[bar (g)]	[psi (g)]					
501PUTS10-4035D40C	CMPV01 Tripod	400V / 50Hz	3	0.12	4.2	10	145	1.1	62	700 x 270 x 470	41	3/8" F-BSP
501PUTS10-2415D40C	CMPV01 Tripod	230V / 50Hz	1	0.12	4.2	10	145	1.1	62	700 x 270 x 470	41	3/8" F-BSP
501PURS10-4035D40C	CMPV01 RM on a 75 Ltr Tank	400V / 50Hz	3	0.12	4.2	10	145	1.1	62	1,120 x 300 x 730	77	3/8" F-BSP
501PURS10-2415D40C	CMPV01 RM on a 75 Ltr Tank	230V / 50Hz	1	0.12	4.2	10	145	1.1	62	1,120 x 300 x 730	77	3/8" F-BSP
502PUTS10-4035D40C	CMPV02 Tripod	400V / 50Hz	3	0.23	8.1	10	145	2.2	69	700 x 270 x 470	41	3/8" F-BSP
502PUTS10-2415D40C	CMPV02 Tripod	230V / 50Hz	1	0.23	8.1	10	145	2.2	69	700 x 270 x 470	41	3/8" F-BSP
502PURS10-4035D40C	CMPV02 RM on a 75 Ltr Tank	400V / 50Hz	3	0.23	8.1	10	145	2.2	69	1,120 x 300 x 730	77	3/8" F-BSP
502PURS10-2415D40C	CMPV02 RM on a 75 Ltr Tank	230V / 50Hz	1	0.23	8.1	10	145	2.2	69	1,120 x 300 x 730	77	3/8" F-BSP
504PURS10-4035D20C	CMPV04 RM on a 200 Ltr Tank	400V / 50Hz	3	0.57	20.1	10	145	4	73	1,410 x 455 x 990	145	1/2" F-BSP

### AFTER COOLERS AND DRYERS FOR BROOMWADE VANES

CODE	DESCRIPTION
ACA-501BD-PC	Aftercooler & dryer kit for 501PURS
ACA-502BD-PC	Aftercooler & dryer kit for 502PURS
ACA-504BD-300C	Aftercooler & dryer kit for 504PURS
ACA-5-BC	Aftercooler kit for 501PURS/502PURS
ACA-504-WEGC	Aftercooler kit for 504PURS

SERVICE KITS	DESCRIPTION
C-AK0102	Annual service kit for CMPV01 / CMPV02
C-AK04	Annual service kit for CMPV04
C-OK0102	Maintenance kit for every 20000 hours or 5 years for CMPV01 / CMPV02
C-OK04	Maintenance kit for every 20000 hours or 5 years for CMPV04
CC1180033	ChampLube Vane lubricant 1 Ltr* (Box of 20 Available CC1180033-BOX)

\* for CMPV04 2 litres needed. \* Service intervals are defined by calendar months or operating hours, whichever occurs first. In dirty ambient conditions service interval must be halved.

S SERIES

# 100% OIL-FREE GUARANTEED

## PREMIUM OIL-FREE ROTARY SCROLL COMPRESSORS

- 100% oil-free design
- High reliability
- Continuous operation, 100% duty cycle
- Energy efficient
- Low vibration and sound levels
- Compact design
- Low maintenance due to less moving parts



# SPECIALIST IN OIL-FREE TECHNOLOGIES



## At a glance...

 **Nominal Pressure**  
8 - 10 bar g

 **Motor Power**  
4 - 15kW

 **Volume Flow**  
21.2 - 106 m<sup>3</sup>/hr



## Cutting edge technology development

Committed to developing environmentally friendly solutions, we ensure that our customers meet the demands of climate change legislation - reducing their carbon footprints by cutting energy bills and simply operating more efficiently.

## Contaminant free. Risk free. 100% Oil-free

Compressed air purity is crucial for many industry sectors, such as medical, research and biotechnology. The new S-Series of oil-free scroll compressors from BroomWade does not use any oil anywhere in the compressor and has been certified ISO 8573-1 Class 0 and silicone free, which represents the highest air quality level possible.

In addition to the fulfilment of legal requirements, the oil-free scroll technology reduces the costs of ownership by avoiding oil filter replacements, oil condensate treatment and energy to combat the pressure loss caused by filtration.

CLASS	CONCENTRATION TOTAL OIL (AEROSOL, LIQUID, VAPOUR) MG/M <sup>3</sup>
0	As specified by the equipment user or supplier and more stringent than class 1
1	≤ 0.01
2	≤ 0.1
3	≤ 1
4	≤ 5

## Compressor configuration

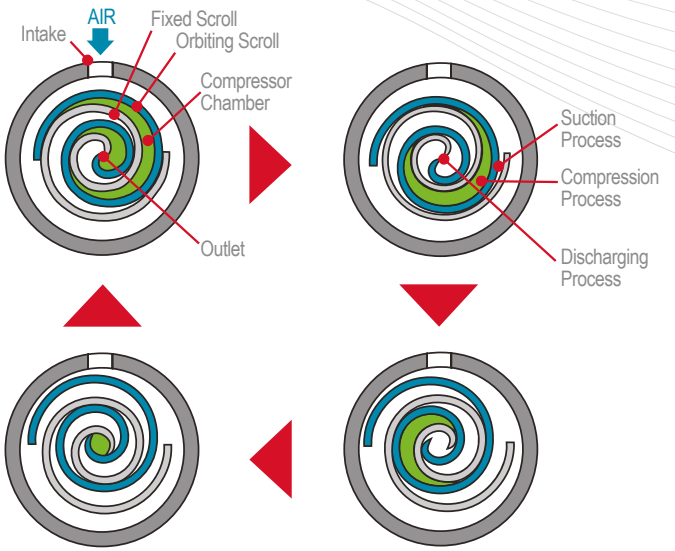
Depending on the application requirements, the versatile S-Series from BroomWade is available in various kW sizes. The scroll compressor range starts with Simplex units at 4, 6 and 8 kW and the Duplex units with 7, 11 and 15 kW. The compressor design features a very clean, simple and serviceable layout.





### Industries with applications requiring oil-free air:

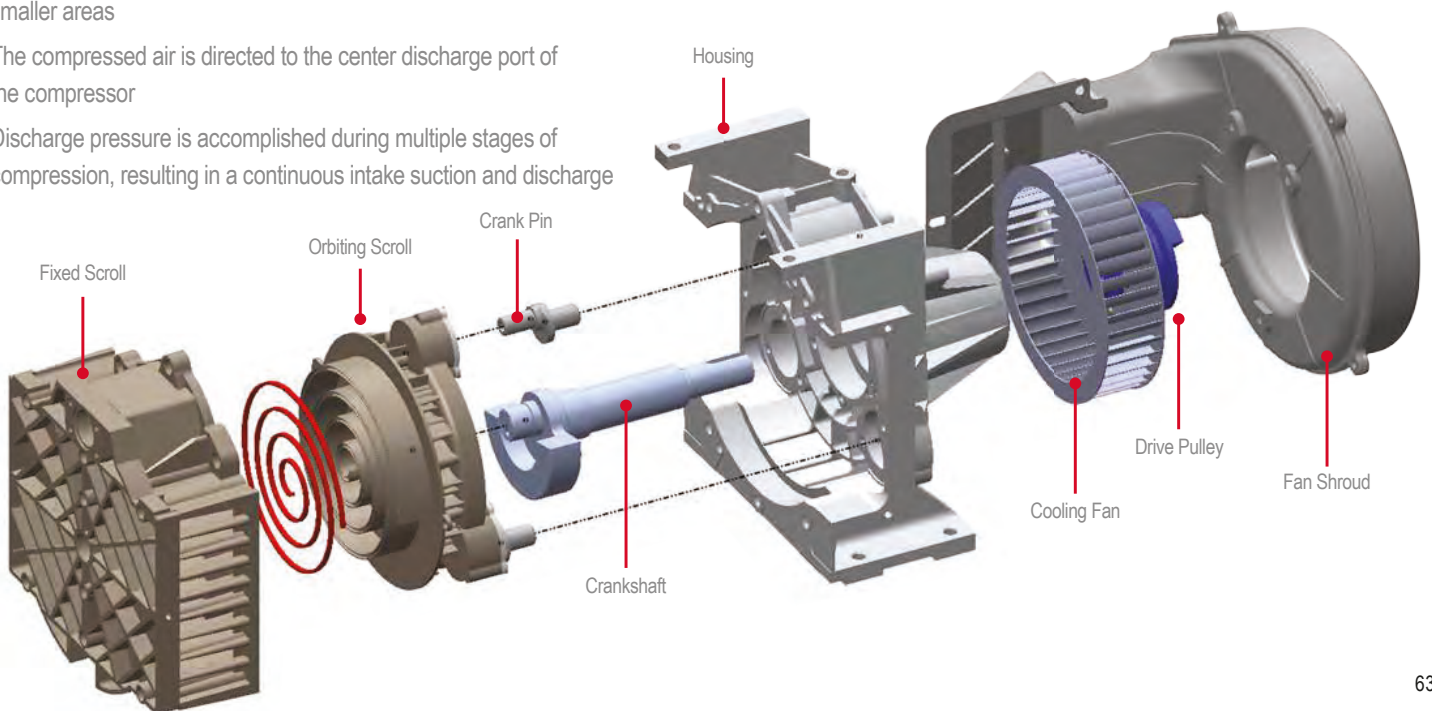
- **Transportation** - traditional and hybrid trucks, transit buses, school buses and trains
- **Automotive** - painting
- **Food & Beverage**
- **Medical/Healthcare** - instrument air and breathing air
- **Electronics**
- **Commercial Printing**
- **Biotechnology** - laboratory equipment
- **Drug Manufacture**



## Innovative design

### Scroll compression explained

- An orbiting (rotating) scroll and fixed scroll housing are mated to create the compression chambers
- The continual movement of the orbiting scroll moves atmospheric air from the intake toward the center, compressing the air into progressively smaller areas
- The compressed air is directed to the center discharge port of the compressor
- Discharge pressure is accomplished during multiple stages of compression, resulting in a continuous intake suction and discharge



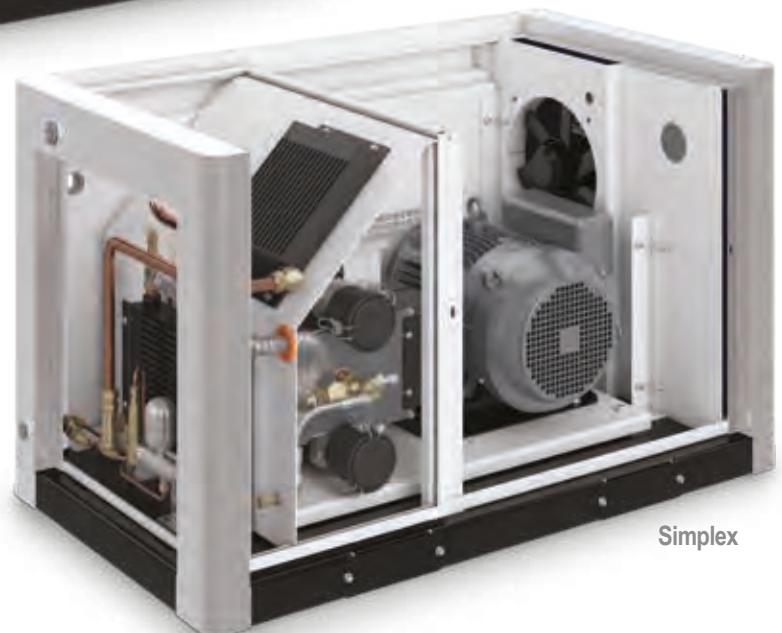
# S SERIES



Duplex

## BroomWade S-Series

- 1 Automatic Condensate Drain
- 2 Rigid Framework
- 3 5 Micron Inlet Filter
- 4 Fork Slots for Easy Handling
- 5 Unique Chambered Design - Maximised Cooling and Serviceability
- 6 Large Industrial Aftercoolers
- 7 Premium Efficient TEFC Motor
- 8 High Volume Cooling Fan
- 9 Low Noise Sound Enclosure
- 10 Internal Vibration Isolators



Simplex





## Controlling and monitoring

The S-Series from BroomWade is available with different controller options. The Simplex versions can be either equipped with the basic relay panel or optionally with the Deluxe HMI electronic controller.



- NEMA 1, UL508A Labeled Panel
- Magnetic Contactor with Overload Protection
- 115V Control Circuit Transformer with Fusing
- Door Mounted TOA Switch
- Green Power On Light
- Emergency Stop
- Reset Button
- Run Time Meter
- Pressure Gauge

The optional Deluxe HMI control from BroomWade has easy to use navigation and friendly graphics that deliver interactive and intuitive information at your fingertips.

With a built in integral webserver, via ModBus TCP Ethernet connection, these controllers provide visibility to the scroll compressor system from any computer or mobile device with internet connection.



### Deluxe HMI

- 3.5" Full Color Touch Screen
- PLC Controlled
- Lead/Lag Control with Forced Alternation
- System Capacity and Operation Trending
- 26 Language Options
- 24V / DC Power Supply with Fusing
- System Run Time Meter
- Alarm/Fault Log
- System Discharge Pressure
- Pump Discharge Temperature
- System Maintenance Timers
- Integral Webserver
- Modbus TCP Interface over Ethernet

## S4 – S8 Simplex Series: Oil free, Scroll compressors

**Design:** 100% oil free, scroll compressor, direct drive

**Pressure Range:** from 8 to 10 bar

**Electric motor:** from 4 to 7.5kW

S SERIES	TYPE	S4		S6		S8	
Maximum pressure	bar	8	10	8	10	8	10
Capacity <sup>1)</sup>	m <sup>3</sup> /h	23.6	21.2	34.5	26.0	53.0	41.3
Drive motor IP 55 / class F / IE3	kW	4		5.5		7.5	
Control voltage	24V	•		•		•	
Acoustic enclosure		•		•		•	
Air cooled		•		•		•	
RS485:1 Module for ModBus-RTU remote monitoring		•		•		•	

### 230V 50 / 60 Hz / Std. (DOL) / Basic Relay Control

MAT. NO.	SQ4-30A03C	SQ4-30A04C	SQ4-30A07C	SQ4-30A08C	SQ4-30A48C	SQ4-30A49C
----------	------------	------------	------------	------------	------------	------------

### 230 V 50 / 60 Hz / Std. (DOL) / Deluxe HMI electronic controller

MAT. NO.	SQ4-30A05C	SQ4-30A06C	SQ4-30A09C	SQ4-30A10C	SQ4-30A50C	SQ4-30A51C
----------	------------	------------	------------	------------	------------	------------

### 400 V 50 / 60 Hz / Std. (DOL) / Basic Relay Control

MAT. NO.	SQ4-30A11C	SQ4-30A12C	SQ4-30A58C	SQ4-30A59C	SQ4-30A62C	SQ4-30A47C
----------	------------	------------	------------	------------	------------	------------

### 400 V 50 / 60 Hz / Std. (DOL) / Deluxe HMI electronic controller

MAT. NO.	SQ4-30A13C	SQ4-30A14C	SQ4-30A60C	SQ4-30A61C	SQ4-30A63C	SQ4-30A64C
----------	------------	------------	------------	------------	------------	------------

### 400 V 50 / 60 Hz / Soft Start / Basic Relay Control

MAT. NO.	N/A	N/A	SQ4-30A15C	SQ4-30A16C	SQ4-30A19C	SQ4-30A20C
----------	-----	-----	------------	------------	------------	------------

### 400 V 50 / 60 Hz / Soft Start / Deluxe HMI electronic controller

MAT. NO.	N/A	N/A	SQ4-30A17C	SQ4-30A18C	SQ4-30A21C	SQ4-30A22C
----------	-----	-----	------------	------------	------------	------------

<sup>1)</sup> Data measured and stated in accordance with ISO 1.217 Edition 4, Annex C & E at the following conditions: Air Intake Pressure 1 bar a / 14,5 psi; Air Intake Temperature 20° C / 68° F; Humidity 0 % (dry)

## S7D – S15D Duplex Series: Oil free, Scroll compressors

**Design:** 100% oil free, scroll compressor, direct drive

**Pressure Range:** from 8 to 10 bar

**Electric motor:** from 7 to 15kW

S SERIES	TYPE	S7D		S11D		S15D	
Maximum pressure	bar	8	10	8	10	8	10
Capacity <sup>1)</sup>	m <sup>3</sup> /h	47.2	42.5	69.0	52.0	106.0	82.6
Drive motor IP 55 / class F / IE3	kW	7		11		15	
Control voltage	24V	•		•		•	
Acoustic enclosure		•		•		•	
Air cooled		•		•		•	
RS485:1 Module for ModBus-RTU remote monitoring		•		•		•	

### 400 V 50 / 60 Hz / Std. (DOL) / Deluxe HMI electronic controller

MAT. NO.	SQ4-30A23C	SQ4-30A24C	SQ4-30A65C	SQ4-30A66C	SQ4-30A67C	SQ4-30A68C
----------	------------	------------	------------	------------	------------	------------

### 400 V 50 / 60 Hz / Soft Start / Deluxe HMI electronic controller

MAT. NO.	N/A	N/A	SQ4-30A25C	SQ4-30A26C	SQ4-30A27C	SQ4-30A28C
----------	-----	-----	------------	------------	------------	------------

<sup>1)</sup> Data measured and stated in accordance with ISO 1217 Edition 4, Annex C & E at the following conditions: Air Intake Pressure 1 bar a / 14,5 psi; Air Intake Temperature 20° C / 68° F; Humidity 0 % (dry)

SERVICE KITS	
MAT. ID	DESCRIPTION
300SMB1445	Air filter kit (4kW x1, 6 & 8kW x2)
300SIA6003	Service kit 6kW (includes tip seal, face seal & grease)
301SIA6003	Service kit 7kW (includes tip seal, face seal & grease)
300SMB6031	Grease gun



# OIL-FREE DENTAL COMPRESSORS

Reliability. Simplicity.  
Performance.

- 100% oil-free
- Many variants including open frame, silenced cabinet and membrane dryer
- High reliability
- Low noise levels
- High air quality





**BroomWade**

**BroomWade**

**BroomWade**

**BroomWade**

# THE DENTAL COMPRESSOR RANGE YOU CAN TRUST

### At a glance...



**Nominal Pressure**  
Up to 10 bar



**Motor Power**  
0.8 - 10kW



**Volume Flow**  
Flow @ 5 bar  
78 – 1350 L/min



## Dental Oil Free Compressors

**When compressed air is used in the dental, health, cosmetics sectors or to operate machinery which cannot be contaminated by impurities, an oil-free BroomWade compressor is required.**

BroomWade oil free compressors are available as open frame, silenced with or without on-board membrane dryer. Due to the high quality filtration and drying system BroomWade oil free compressors are compliant with HTM2022.

C-PRIME compressors benefit from heavy duty cycle use, silent running, superior design, high reliability, and articulated connecting rod system and brass internal cylinder surface. The entire PRIME range is equipped with hour-counter, thermic protection and amperometric protection. Versions equipped with membrane dryer (M) have a filtration system offering filtration to 0.01 micron, achieving a dew point value of -20°C, producing oil free hygienic air. In addition, the silenced cabinet versions (CS) are among the lowest noise level for this technology.

**The comprehensive and innovative range of oil free piston compressors feature:**

- Power range from 0.8 to 10 kW
- Suitable for 1-20 dental chairs
- Silenced operation on cabinet versions
- Noise level of 53-78 dB(A)
- Receiver sizes from 24-270 litres
- Efficient and improved duty cycles
- Operating pressure up to 10 Bar
- Double filtration system to 0.01 microns
- Maintenance free membrane dryers to -20°C dew point

In addition, the special internal surface treatment prevents rust generation and air tank corrosion. The installation of a simple automatic drain system reduces the need of periodical ordinary maintenance.

The choice of dental compressor is critical for the correct operating standards of surgeries and laboratories. Actual and future compressed air demand are important questions when making the correct dental compressor choice. The BroomWade dental compressor range satisfies every need, both from the performance and the investment point of view.



## Technical data

### C-Prime Open Frame: Oil free, Dental compressors

**Design:** 100% oil-free, dental piston compressors

**Pressure Range:** up to 10 bar



CODE	MODEL	CHAIRS	FAD @ 5 BAR			MOTOR POWER			NOISE LEVEL [dB(A)]	DIMENSIONS L x W x H [mm]	WEIGHT [kg]
			[CFM]	[L/ min]	[HP]	[kW]	[V]	[REC]			
CC1189691	C-Prime 30-7 S	1	3.0	85	1	0.8	230	24	65	430 x 400 x 600	29
CC1189692	C-Prime 50-15 S	3	6.0	170	2	1.5	230	40	66	600 x 410 x 770	46
CC1189693	C-Prime 50-25 S	4	8.8	250	3	2.2	230	90	69	600 x 410 x 810	54
CC1189714	C-Prime 100-30 Tandem S	6	12.0	340	4	3	230	90	69	1100 x 600 x 810	97
CC1189715	C-Prime 100-50 Tandem S	8	17.6	500	6	4.4	400	90	69	1100 x 600 x 820	113
CC1189716	C-Prime 200-75 Tandem S	10	25.4	750	9	6.6	400	200	72	1550 x 1000 x 1030	173
CC1189717	C-Prime 270-100 Tandem S	15	31.6	900	13	10	400	270	75	1560 x 1000 x 1030	220
CC1189718	C-Prime 500-150 Tandem S	20	47.4	1350	20	15	400	500	78	1980 x 780 x 1050	330

Models can be configured to 10 Bar maximum pressure offering on average 33% lower FAD @ 8 Bar

### C-Prime Silenced Cabinet: Oil free, Dental compressors

**Design:** 100% oil-free, dental piston compressors

**Pressure Range:** up to 10 bar



CODE	MODEL	CHAIRS	FAD @ 5 BAR			MOTOR POWER			NOISE LEVEL [dB(A)]	DIMENSIONS L x W x H [mm]	WEIGHT [kg]
			[CFM]	[L/ min]	[HP]	[kW]	[V]	[REC]			
CC1189719	C-Prime 30-15 CS	2	5.9	170	2	1.5	230	40	53	490 x 720 x 890	94
CC1189720	C-Prime 50-25 CS	4	8.8	250	3	2.2	230	40	53	490 x 720 x 890	102
CC1189721	C-Prime 100-30 Tandem CS	6	11.8	340	4	5	230	90	56	1245 x 725 x 1020	210
CC1189722	C-Prime 100-50 Tandem CS	8	17.6	500	6	4.4	400	90	56	1245 x 725 x 1020	220

Models can be configured to 10 Bar maximum pressure offering on average 33% lower FAD @ 8 Bar

# DENTAL COMPRESSORS

## C-Prime Open Frame with Membrane Dryer: Oil free, Dental compressors

**Design:** 100% oil-free, dental piston compressors

**Pressure Range:** up to 10 bar



CODE	MODEL	CHAIRS	FAD @ 5 BAR			MOTOR POWER			NOISE LEVEL	DIMENSIONS L x W x H	WEIGHT
			[CFM]	[L/ min]	[HP]	[kW]	[V]	[REC]			
CC1189725	C-Prime 30-7 SM	1	2.8	78	1	0.75	230	24	65	500 x 470 x 600	36
CC1189726	C-Prime 50-15 SM	3	5.4	152	2	1.5	230	40	66	710 x 410 x 770	50
CC1189727	C-Prime 50-25 SM	4	7.9	225	3	2.2	230	40	66	710 x 410 x 810	58
CC1189728	C-Prime 100-30 Tandem SM	5	10.8	305	4	3	230	90	69	1100 x 630 x 810	102
CC1189729	C-Prime 100-50 Tandem SM	7	15.8	450	6	4.4	400	90	69	1100 x 630 x 820	118
CC1189730	C-Prime 200-75 Tandem SM	9	23.0	660	9	6.6	400	200	72	1450 x 820 x 900	183
CC1189731	C-Prime 270-100 Tandem SM	14	27.5	780	13	10	400	270	75	1560 x 1000 x 1030	240

Models can be configured to 10 Bar maximum pressure offering on average 33% lower FAD @ 8 Bar

## C-Prime Silenced Cabinet with Membrane Dryer: Oil free, Dental compressors

**Design:** 100% oil-free, dental piston compressors

**Pressure Range:** up to 10 bar



CODE	MODEL	CHAIRS	FAD @ 5 BAR			MOTOR POWER			NOISE LEVEL	DIMENSIONS L x W x H	WEIGHT
			[CFM]	[L/ min]	[HP]	[kW]	[V]	[REC]			
CC1189732	C-Prime 30-15 CSM	2	5.4	152	2	1.5	230	40	53	490 x 720 x 890	98
CC1189733	C-Prime 50-25 CSM	4	7.9	225	3	2.2	230	40	53	490 x 720 x 890	106
CC1189744	C-Prime 100-30 Tandem CSM	5	10.8	305	4	3	230	90	56	1245 x 725 x 1020	215
CC1189745	C-Prime 100-50 Tandem CSM	7	15.8	450	6	4.4	400	90	56	1245 x 725 x 1020	225

Models can be configured to 10 Bar maximum pressure offering on average 33% lower FAD @ 8 Bar



Notes

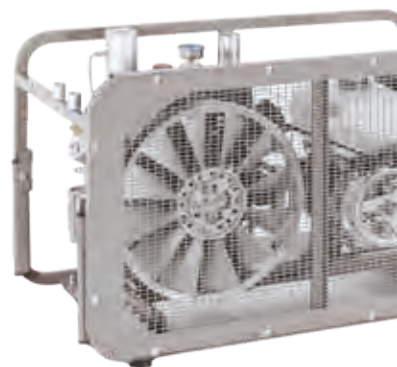
Lined area for writing notes.

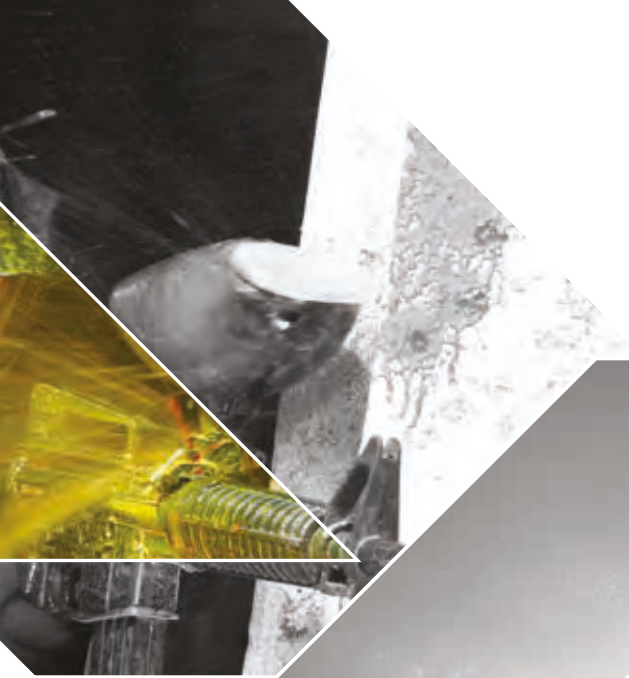


# BREATHING AIR COMPRESSORS

Versatile. Reliable.  
Flexible.

- Quick charging times
- Safe operation
- Various drive motors
- Easy to use
- High reliability
- Including range of accessories





# RELIABLE BREATHING AIR COMPRESSORS



### At a glance...



**Nominal Pressure**  
232 - 330 bar



**Motor Power**  
2.2 - 11kW



**Volume Flow**  
80 - 600 L/min



## The Range of Breathing Air Compressors

BroomWade offer a range of breathing air and technical gas compressors from the small portable CBA6 series with a flow rate of 100 l/min and a pressure of 300 bars to the more powerful models for large refilling centres such as the CBA36 with a flow rate of 600 l/min and a maximum pressure of 330 bar.

Compressors such as the CBA36 meet the needs of large refilling centres as it charges a 10 litre single-cylinder at 200 atmospheres in 3.3 minutes with noise levels as low as 75 dB(A). The range is compliant to EN 12021 CGA E.

BroomWade compressors are available with single and 3-phase electric motors as well as petrol or diesel engines. Additionally, BroomWade offer a series of important accessories, such as filling panels, transfer hoses, oxygen carbon dioxide and helium analysers, pressure reducers with safety valves and other useful accessories.

**POWER RANGE:** 2.2 to 11 kW

**CAPACITY:** 80 to 600 l/min

**CHARGE TIME:** 3 to 25 mins (based on charging a 10 litre cylinder)

**PRESSURE:** 232 to 330 bar

**NOISE LEVEL:** 70 to 96 dB(A)

**VOLTAGE:** 230 / 1 / 50 / 60, 400 / 3 / 50, 440 / 3 / 60



## Technical data

### Breathing Air: Compressors

**Design:** High pressure piston

**Pressure Range:** 232 - 330 barg

CODE	MODEL	VARIANT	VOLT						CHARGE TIME	DIMENSIONS		
				[kW]	[HP]	[L/min]	[cfm]	[Bar]		L x W x H [mm]	[dB(A)]	[kg]
CC1189900	CBA 6 EM	Open	230	2.2	3	80	2.8	232/300	25 min	650 x 350 x 390	91	39
CC1189901	CBA 6 ET	Open	400	3	4	100	3.5	232/300	20 min	650 x 350 x 390	95	39
CC1189902	CBA 13 ET STANDARD	Open	230	4	5.5	235	8.3	232/330	8min 30sec	880 x 480 x 640	77	117
CC1189903	CBA 13 ET COMPACT	Cabinet	230	4	5.5	235	8.3	232/330	8min 30sec	920 x 610 x 880	75	153
CC1189904	CBA 16 ET STANDARD	Open	400	5.5	7.5	315	11.1	232/330	6min 20sec	880 x 480 x 640	77	117
CC1189905	CBA 16 ET COMPACT	Cabinet	400	5.5	7.5	315	11.1	232/330	6min 20sec	920 x 610 x 880	75	163
CC1189906	CBA 22 OPEN	Open	400	7.5	10	400	14.1	232/330	5 min	790 x 1025 x 1545	76	415
CC1189907	CBA 22 SILENCED	Cabinet	400	7.5	10	400	14.1	232/330	5 min	800 x 1290 x 1740	70	420
CC1189908	CBA 30 OPEN	Open	400	9.2	12.5	500	17.7	232/330	4 min	790 x 1025 x 1545	76	415
CC1189909	CBA 30 SILENCED	Cabinet	400	9.2	12.5	500	17.7	232/330	4 min	800 x 1290 x 1740	70	420
CC1189910	CBA 36 OPEN	Open	400	11	15	600	21.2	232/330	3 min	790 x 1025 x 1545	76	415
CC1189911	CBA 36 SILENCED	Cabinet	400	11	15	600	21.2	232/330	3 min	800 x 1290 x 1740	70	420
CC1189912	CBA 6 SH	Open	Honda	4	5.5	100	3.5	232/300	20 min	780 x 350 x 320	101	37
CC1189913	CBA 13 SH MINI TECH	Open	Honda	6.3	8.4	235	8.3	232/330	8min 30sec	1130 x 540 x 640	96	135
CC1189914	CBA 16 SH MINI TECH	Open	Honda	6.3	8.4	315	11.1	232/330	8min 30sec	1130 x 540 x 640	96	135
CC1189915	CBA 13 DY MINI TECH	Open	Yanmar	6.6	9	235	8.3	232/330	6min 20sec	1130 x 540 x 640	96	135
CC1189916	CBA 16 DY MINI TECH	Open	Yanmar	6.6	9	315	11.1	232/330	6min 20sec	1130 x 540 x 640	96	135

### Breathing Air: Accessories

CODE	MODEL
CC1189917	CBA 6 Auto Drain Timer
CC1189918	CBA 6 Auto Stop
CC1189919	Safety Valve 330 Bar
CC1189920	Safety Valve 300 Bar
CC1189921	Safety Valve 225 Bar
CC1189922	CBA 6 - Air Filter Cartridge
CC1189923	CBA 13-16 Intake Air Filter Cartridge
CC1189924	CBA 22-36 hyperfilter Filter Cartridge
CC1189925	CBA 22-36 + 13-18 Tropical Oil Filter Cartridge
CC1189926	Breathing Compressor Oil 1/2Lt
CC1189927	Breathing Compressor Oil 1Lt

Other model variants and a wide range of additional accessories available

CMP- SERIES



# ONE STEP AHEAD

## PORTABLE SCREW COMPRESSORS

- Mobile compressed air solution
- Independent from power source
- Compact and lightweight
- Low emissions
- Easy to operate
- Energy efficient



**BroomWade**

**BroomWade**

Air Compressor

**BroomWade**

**CMP-14**

# DESIGNED TO LAST

## At a glance...

 **Operating Pressure**  
6 - 7 bar g

 **Motor Power**  
6.3 - 8.7 kW

 **Volume Flow**  
0.8 - 1.2 m<sup>3</sup>/min



## Compressor

The BroomWade range of self-contained compressors uses lubricated screw air ends with high airflow. The progressive adjustment of the airflow constantly maintains an operating pressure between 7 and 8 bar, thus avoiding the use of a cumbersome air tank.

## Protection

The "ROLL BAR" system fully protects the compressor and facilitates maintenance. The anti-vibration pads provide excellent stability and limit vibration.

## Thermic engine

Our choice of HONDA petrol engines, known for their high reliability and excellent sound levels, guarantees the longevity of our compressors and a great ease of use. The engine speed is reduced automatically when the compressor is not stressed (control valve + pneumatic jack group).

## Oil Separator

Our compressors are equipped with an improved cooling system. Temperature control guarantees optimum longevity.

## Portable Compressors

### CMP Series P6 - B9

**Design:** Engine Driven Rotary Screw  
**Pressure Range:** 6 - 7 bar  
**Power Range:** 9 - 13 HP  
**Mobile Fuel Tank:** 5.3 - 6.1 Litres

MODEL	FLOW <sup>1)</sup>			ADJUSTMENT PRESSURE <sup>3)</sup>		HONDA PETROL ENGINE		ELECTRIC START-UP BATTERY INCLUDED	PROGRESSIVE ADJUSTMENT OF ENGINE SPEED	SOUND POWER LEVEL L <sub>WA</sub> <sup>2)</sup> dB(A)	MOBILE FUEL TANK LITRES	DIMENSIONS		WEIGHT KG	CODE
	L/M	CFM	m <sup>3</sup> /min	BAR	kW/HP	MODEL	RPM					MM			
CMP-P6R	800	28	0.8	6	6.3/9	GX 270	-	2500 - 3500	97	5.3	820x560x610	69	CC1198063		
CMP-P6	800	28	0.8	7	6.3/9	GX 270	Yes	2500 - 3500	97	5.3	820x560x610	79	CC1198074		
CMP-P7R	1200	42	1.2	7	8.7/13	GX 390	-	2400 - 3500	97	6.1	820x560x610	80	CC1198075		
CMP-P7	1200	42	1.2	7	8.7/13	GX 390	Yes	2400 - 3500	97	6.1	820x560x610	90	CC1198076		
CMP-P8R	800	28	0.8	6	6.3/9	GX 270	-	2500 - 3500	97	5.3	820x560x610	79	CC1198077		
CMP-P8	800	28	0.8	7	6.3/9	GX 270	Yes	2500 - 3500	97	5.3	820x560x610	89	CC1198078		
CMP-P9R	800	28	0.8	7	8.7/13	GX 390	-	2400 - 3500	97	6.1	820x560x610	100	CC1198079		
CMP-P9	1200	42	1.2	7	8.7/13	GX 390	Yes	2400 - 3500	97	6.1	820x560x610	110	CC1198080		
CMP-B8	800	28	0.8	7	6.3/9	GX 270	Yes	2500 - 3500	97	5.3	740x540x530	59	CC1198081		
CMP-B9	1200	42	1.2	7	8.7/13	GX 390	Yes	2500 - 3500	97	6.1	740x540x530	65	CC1198082		

<sup>1)</sup> Flow according to CE standard 1217 Annex C. <sup>2)</sup> Sound level according to EU 2000/14 Annexe 8. <sup>3)</sup> Pressure of 9-12 bar available upon request  
Option: Models P8-P9 - static version available - kit consists of 4 AV mounts + 4 mounting plates for commercial vehicles





## At a glance...

 **Operating Pressure**  
7 - 12 bar g

 **Motor Power**  
15.5kW

 **Volume Flow**  
1.0 - 1.4 m<sup>3</sup>/min



## The CMP-Series is a powerful alternative to electrical tools

Small, compact and lightweight, at only 165kg weight with 1.4 m<sup>3</sup>/min at 7 bar. Perfect for a wide-range of repair and installation jobs.

### Electric Start as Standard

Easy to start and flexible operation.



### Honda GX 630V

Air cooled petrol engine.

## BroomWade Genuine Parts

Enjoy complete peace of mind.

Genuine BroomWade parts and lubricants ensure best performance and reliability is maintained.

- Minimum losses contributing to energy savings
- Long service life, even under harsh conditions
- High reliability



CMP SERIES	TYPE	CMP-P10	CMP-P12	CMP-P14
CODE		A60141201	A60141001	A60140701
ENGINE		HONDA GX630	HONDA GX630	HONDA GX630
MOTOR POWER	[KW]	15.5	15.5	15.5
OPERATING PRESSURE	[bar g]	12	10	7
	[psi g]	174	145	102
VOLUME FLOW	[m <sup>3</sup> /min]	1.4	1.8	1.8
	[cfm]	50	64	64
ENGINE SPEED OFF LOAD	[rpm]	2200 - 3550		
SOUND POWER LEVEL <sup>1)</sup>	[LwA]	97 (dB)		
VOLUME FLOW	[m <sup>3</sup> /min]	1.0	1.4	1.4
	[cfm]	35	50	50
ENGINE SPEED OFF LOAD/LOAD	[rpm]	2200 - 2900		
SOUND POWER LEVEL <sup>1)</sup>	[LwA]	93 (dB)		
AIR OUTLET SIZE		1" x 3/4"		
DIMENSIONS L X W X H	[mm]	890 x 635 x 670		
WEIGHT (WITHOUT FUEL)	[Kg]	150		

<sup>1)</sup> Legal Limiting values of EC directive acc to 2000/14/EC

SERVICE KITS	DESCRIPTIONS
CC1186378	600 hrs or 6 months compressor service kit C10-C14
CC1186379	Annual engine service kit C10-C14
SCUO2000-5GT3	Lubricant (pack of 3 x 5L)

BroomWade codes relates to power sound level (LwA) of 97 decibels. Clearly mark on your order if the lower noise level of 93 decibels is required



# COMPRESSED AIR TREATMENT

- Basic Principals
- Air Filters
- Cyclone Separators
- Refrigeration Dryers
- Adsorption Dryers
- Air Receiver Tanks
- Condensate Drains
- Oil / Water Separators
- Nitrogen Generators





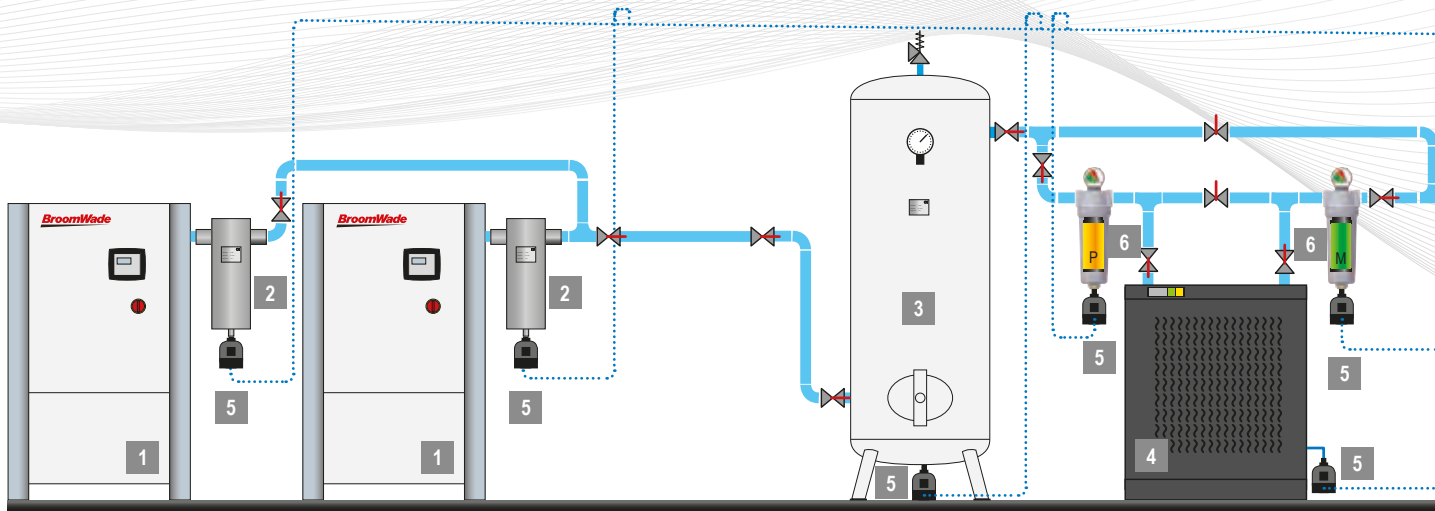
## Compressed air quality classes according to ISO 8573-1:2010

CLASS	SOLID PARTICLES MAXIMUM NUMBER OF PARTICLES PER CUBIC METER AS A FUNCTION OF PARTICLE SIZE, D <sup>21</sup>			HUMIDITY AND LIQUID WATER PRESSURE DEW POINT		OIL CONCENTRATION OF TOTAL OIL <sup>21</sup> (LIQUID, AEROSOL AND VAPOUR)	
	[0.1 µm < d ≤ 0.5 µm]	[0.5 µm < d ≤ 1.0 µm]	[1.0 µm < d ≤ 5.0 µm]	[°C]	[°F]	[mg/m <sup>3</sup> ]	[ppm / w / w]
0	As specified by the equipment user or supplier and more stringent than class <sup>11</sup>						
1	≤ 20,000	≤ 400	≤ 10	≤ -70	-94	≤ 0.01	≤ 0.008
2	≤ 400,000	≤ 6,000	≤ 100	≤ -40	-40	≤ 0.1	≤ 0.08
3	Not specified	≤ 90,000	≤ 1,000	≤ -20	-4	≤ 1	≤ 0.8
4	Not specified	Not specified	≤ 10,000	≤ +3	38	≤ 5	≤ 4
5	Not specified	Not specified	≤ 100,000	≤ +7	45	Not specified	Not specified
6				≤ ±10	50		
	MASS CONCENTRATION <sup>21</sup> - C <sub>p</sub> [mg/m <sup>3</sup> ]			LIQUID WATER CONTENT <sup>21</sup> - C <sub>w</sub> [g/m <sup>3</sup> ]			
6	0 < C <sub>p</sub> ≤ 5			Not specified			
7	5 < C <sub>p</sub> ≤ 10			C <sub>w</sub> ≤ 0.5			
8	Not specified			0.5 ≤ C <sub>w</sub> ≤ 5			
9	Not specified			Not specified			
X	C <sub>p</sub> > 10			> 5			

<sup>11</sup> To qualify for a class designation, each size range and particle number within a class shall be met.

<sup>21</sup> At reference conditions: air temperature of 20° C, absolute air pressure of 100 kPa (1 bar), 0 relative water vapour pressure.

# BASIC PRINCIPLES OF MOST TYPICAL COMPRESSED AIR APPLICATION



**1. Compressor:** The basic working principle of an air compressor is to compress atmospheric air, which is then used as per the requirements. In the process, atmospheric air is drawn in through an intake valve; more and more air is pulled inside a limited space mechanically by means of piston, impeller, or vane. Since the amount of pulled atmospheric air is increased in the receiver or storage tank, volume is reduced and pressure is raised automatically. In simpler terms, free or atmospheric air is compressed after reducing its volume and at the same time, increasing its pressure. BroomWade can provide many types of compressor to suit your needs.

**2. Cyclone condensate separator:** Cyclone condensate separators use centrifugal motion to force liquid water out of compressed air. The spinning causes the condensate to join together on the centrifugal separators walls when the condensate gains enough mass it falls to the bottom of the separators bowl where it pools in the sump until it is flushed out of the system by the automatic float drain valve. They are installed following aftercoolers to remove the condensed moisture.

**3. Pressure vessel:** Pressure vessel plays very important role in compressed air system:

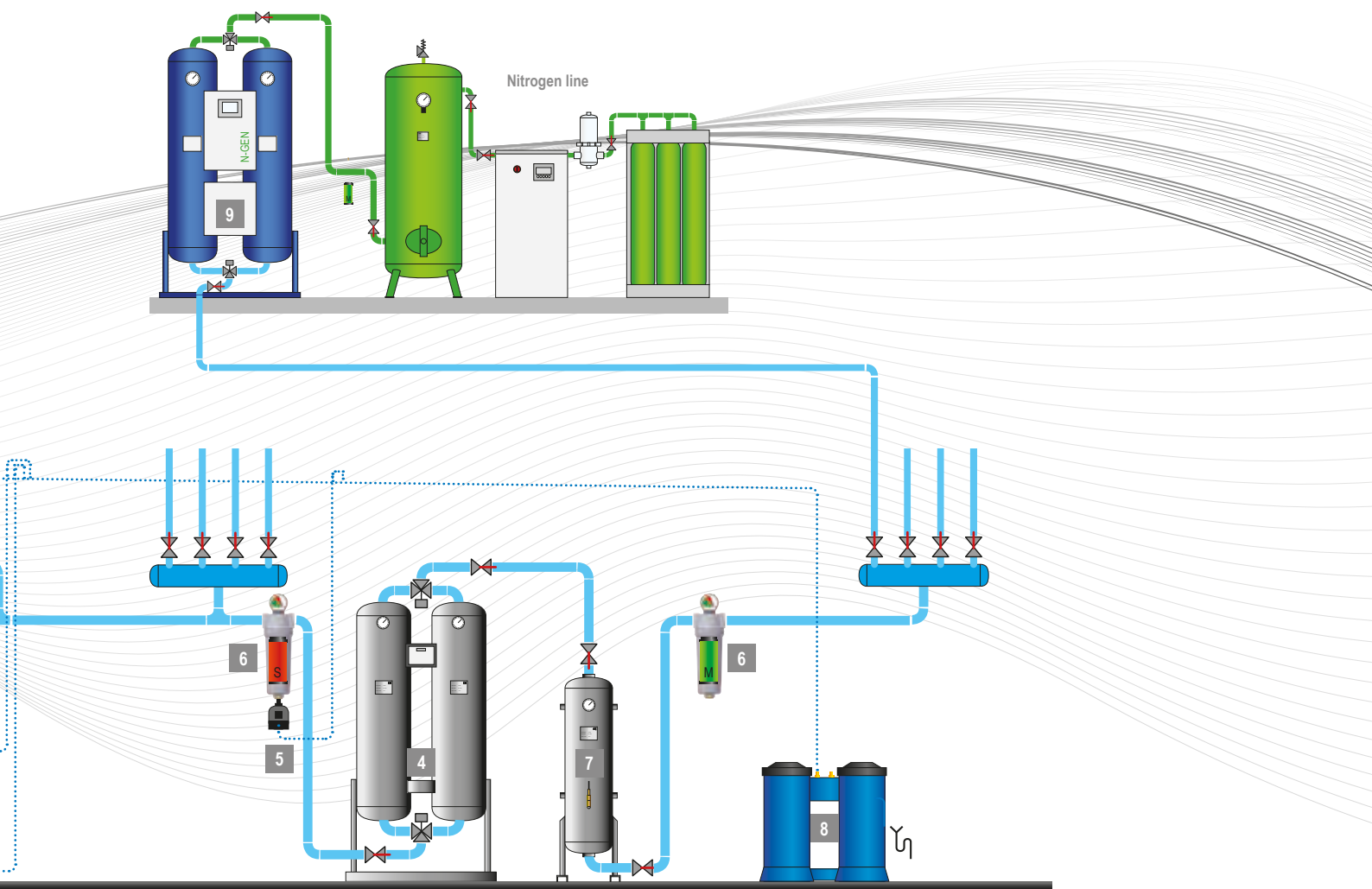
- Damping pulsations caused by reciprocating compressors
- Providing a location for free water and lubricant to settle from the compressed air stream
- Supplying peak demands from stored air without needing to run an extra compressor
- Reducing load/unload or start/stop cycle frequencies to help screw compressors run more efficiently and reduce motor starts
- Slowing system pressure changes to allow better compressor control and more stable system pressures

**4. Compressed air dryer :** Compressed air leaving the compressor aftercooler and moisture separator is normally warmer than the ambient air and fully saturated with moisture. As the air cools the moisture will condense in the compressed air lines. Excessive entrained moisture can result in undesired pipe corrosion and contamination at point of end use. For this reason some sort of air dryer is normally required.

Some end use applications require very dry air, such as compressed air distribution systems where pipes are exposed to winter conditions. Drying the air to dew points below ambient conditions is necessary to prevent ice buildup.

**Common types:**

- Refrigerant
- Dessicant
- Membrane



**5. Condensate drain:** Drains are needed at all separators, filters, dryers and receivers in order to remove the liquid condensate from the compressed air system.

Failed drains can allow slugs of moisture to flow downstream that can overload the air dryer and foul end use equipment.

**6. Filter:** Compressed air filters are used for high efficient removal of solid particles, water, oil aerosols, hydrocarbons, odour and vapours from compressed air systems.

To meet the required compressed air quality appropriate filter element must be installed into filter housing.

**7. Activated carbon tower:** Activated carbon tower eliminates hydrocarbon vapours and odours from compressed air. Towers are filled with activated carbon adsorbent that adsorbs contaminants onto the surface of its internal pores. Activated carbon towers are used at applications where content of oil vapours needs to be reduced to minimum.

Activated carbon towers can be incorporated in existing compressed air systems significantly minimising the risks of contamination.

They are able to absorb oil carry-over (both liquid and vapour) to provide the plant with technically oil-free compressed air.

**8. Oil/water separator:** Local environmental laws and regulations state that condensate drained from compressed air systems cannot be returned to the sewage system due to the content of compressor lubricating oil. Water/oil separators are one of the most effective and economical solution. Multi-stage separation process using oleophilic filters and activated carbon, ensures exceptional performance and trouble free operation.

**9. Nitrogen generator:** The nitrogen generators extract the available nitrogen in the ambient air from the other gases by applying the Pressure Swing Adsorption (PSA) technology. During the PSA process compressed, cleaned ambient air is led to a molecular sieve bed, which allows the nitrogen to pass through as a product gas, but adsorbs other gases.

#### End user advice

- Replace inappropriate end use applications with efficient models (vortex nozzles, atomizers)
- Install a flow controller to lower plant pressure and reduce artificial demand caused by higher than required pressures
- Turn off air consuming equipment, using electric solenoids or manual shutoff valves
- Avoid operation of air tools without a load, as this consumes more air than a tool under load
- Replace worn tools, as they often require higher pressure and consume excess compressed air than tools in good shape
- Lubricate air tools as recommended by the manufacturer. Keep air used by all end uses free of condensate in order to maximize tool life and effectiveness
- Where possible and practical, group end use air equipment that has similar air requirements of pressure and air quality

## COMPRESSED AIR FILTERS

# F SERIES ALUMINUM COMPRESSED AIR FILTERS

### Applications

- General industrial applications
- Automotive
- Electronics
- Food and beverage
- Chemical
- Petrochemical
- Plastics
- Paint

### At a glance...



**Operating Pressure**  
16 bar



**Volume Flow**  
60 - 2760 Nm<sup>3</sup>/h



**Connections**  
3/8" - 3"



**Operating Temp. Range**  
1.5 - 65°C

F filter housings are designed for high efficient removal of solid particles, water, oil aerosols, hydrocarbons, odour and vapours from compressed air<sup>(1)</sup> systems. To meet the required compressed air quality appropriate filter element (P, M S, A) must be installed into filter housing.

<sup>(1)</sup> For any other technical gas please contact producer or your local distributor.



**Float drain provided as standard**



FILTER HOUSING <sup>1)</sup>	PART NUMBER	MAX. OPERAT. PRESSURE [bar / psi]	P PREFILTER [3 µm]		DIMENSIONS [mm]				WEIGHT [kg]	FILTER ELEMENT
			FLOW RATE AT 7 bar(g), 20 °C [Nm³/h]	[scfm]	A	B	C	D		
F 005 P	<b>223051A</b>	16 / 232	60	35	187	88	20	60	0.7	<b>223171</b>
F 007 P	<b>223052A</b>	16 / 232	78	46	187	88	20	60	0.7	<b>223172</b>
F 010 P	<b>223053A</b>	16 / 232	120	70	257	88	20	80	0.8	<b>223173</b>
F 018 P	<b>223054A</b>	16 / 232	198	116	263	125	32	100	1.8	<b>223174</b>
F 030 P	<b>223055A</b>	16 / 232	335	197	363	125	32	120	2.5	<b>223175</b>
F 047 P	<b>223056A</b>	16 / 232	510	300	461	125	32	140	2.5	<b>223176</b>
F 070 P	<b>223057A</b>	16 / 232	780	459	640	125	32	160	3.2	<b>223177</b>
F 094 P	<b>223058A</b>	16 / 232	1000	588	684	163	43	520	5.1	<b>223178</b>
F 150 P	<b>223059A</b>	16 / 232	1500	882	935	163	43	770	7.1	<b>223179</b>
F 200 P	<b>CC1182427</b>	16 / 232	2160	1270	795	240	59	630	12.9	<b>CC1183012</b>
F 240 P	<b>223060A</b>	16 / 232	2760	1620	1,000	240	59	780	14.0	<b>223180</b>

QUALITY CLASS - SOLIDS [ISO 8573-1]	RESIDUAL OIL CONTENT [mg/m³]	QUALITY CLASS - OILS [ISO 8573-1]	PRESSURE DROP - NEW ELEMENT [mbar/psi]	CHANGE FILTER ELEM. AT PRESS. DROP [mbar/psi]	FILTER MATERIAL	PLEATED VERSION	WRAPPED VERSION	SINTERED VERSION	OPERATING TEMPERATURE	
									MIN	MAX
6	-	-	10 / 0.145	350 / 5.07	acrylic fibres, cellulose	✓	-	-	1.5 / 35	65 / 149

<sup>1)</sup> Standard filters with screw connections. Flange version only upon request.

# COMPRESSED AIR FILTERS



FILTER HOUSING	PART NUMBER	MAX. OPERAT. PRESSURE [bar/psi]	R MICROFILTER [1 µm]		DIMENSIONS [mm]				WEIGHT [kg]	FILTER ELEMENT
			FLOW RATE AT 7 bar(g), 20 °C [Nm³/h]	[scfm]	A	B	C	D		
F 005 R	<b>CC1185088</b>	16 / 232	60	35	187	88	20	60	0.7	<b>CC1185073</b>
F 007 R	<b>CC1185089</b>	16 / 232	78	46	187	88	20	60	0.7	<b>CC1185074</b>
F 010 R	<b>CC1185090</b>	16 / 232	120	70	257	88	20	80	0.8	<b>CC1185075</b>
F 018 R	<b>CC1185091</b>	16 / 232	198	116	263	125	32	100	1.8	<b>CC1185076</b>
F 030 R	<b>CC1185092</b>	16 / 232	335	197	363	125	32	120	2.5	<b>CC1185077</b>
F 047 R	<b>CC1185093</b>	16 / 232	510	300	461	125	32	140	2.5	<b>CC1185078</b>
F 070 R	<b>CC1185094</b>	16 / 232	780	459	640	125	32	160	3.2	<b>CC1185079</b>
F 094 R	<b>CC1185095</b>	16 / 232	1000	588	684	163	43	520	5.1	<b>CC1185080</b>
F 150 R	<b>CC1185096</b>	16 / 232	1500	882	935	163	43	770	7.1	<b>CC1185081</b>
F 200 R	<b>CC1185097</b>	16 / 232	2160	1270	795	240	59	630	12.9	<b>CC1185082</b>
F 240 R	<b>CC1185098</b>	16 / 232	2760	1620	1000	240	59	780	14	<b>CC1185083</b>

QUALITY CLASS - SOLIDS [ISO 8573-1]	RESIDUAL OIL CONTENT [mg/m³]	QUALITY CLASS - OILS [ISO 8573-1]	PRESSURE DROP - NEW ELEMENT [mbar/psi]	CHANGE FILTER ELEM. AT PRESS. DROP [mbar/psi]	FILTER MATERIAL	PLEATED VERSION	WRAPPED VERSION	SINTERED VERSION	OPERATING TEMPERATURE	
									MIN	MAX
2	<0.01	2	50/0.725	350/5.07	borosilicate micro fibres	✓	-	-	1.5 / 35	65 / 149

FILTER HOUSING	PART NUMBER	MAX. OPERAT. PRESSURE [bar/psi]	M MICROFILTER [0.1 µm]		DIMENSIONS [mm]				WEIGHT [kg]	FILTER ELEMENT
			FLOW RATE AT 7 bar(g), 20 °C [Nm³/h]	[scfm]	A	B	C	D		
F 005 M	<b>223061A</b>	16 / 232	60	35	187	88	20	60	0.7	<b>223181</b>
F 007 M	<b>223062A</b>	16 / 232	78	46	187	88	20	60	0.7	<b>223182</b>
F 010 M	<b>223063A</b>	16 / 232	120	70	257	88	20	80	0.8	<b>223183</b>
F 018 M	<b>223065A</b>	16 / 232	198	116	263	125	32	100	1.8	<b>223184</b>
F 030 M	<b>223066A</b>	16 / 232	335	197	363	125	32	120	2.5	<b>223185</b>
F 047 M	<b>223067A</b>	16 / 232	510	300	461	125	32	140	2.5	<b>223186</b>
F 070 M	<b>223068A</b>	16 / 232	780	459	640	125	32	160	3.2	<b>223187</b>
F 094 M	<b>223069A</b>	16 / 232	1000	588	684	163	43	520	5.1	<b>223188</b>
F 150 M	<b>223081A</b>	16 / 232	1500	882	935	163	43	770	7.1	<b>223189</b>
F 200 M	<b>CC1182428</b>	16 / 232	2160	1270	795	240	59	630	12.9	<b>CC1183034</b>
F 240 M	<b>223064A</b>	16 / 232	2760	1620	1,000	240	59	780	14.0	<b>223190</b>

QUALITY CLASS - SOLIDS [ISO 8573-1]	RESIDUAL OIL CONTENT [mg/m³]	QUALITY CLASS - OILS [ISO 8573-1]	PRESSURE DROP - NEW ELEMENT [mbar/psi]	CHANGE FILTER ELEM. AT PRESS. DROP [mbar/psi]	FILTER MATERIAL	PLEATED VERSION	WRAPPED VERSION	SINTERED VERSION	OPERATING TEMPERATURE	
									MIN	MAX
2	<0.1	2	50 / 0.725	350 / 5.07	borosilicate micro fibres	✓	-	-	1.5 / 35	65 / 149



S MICROFILTER [0.01 µm]										
FILTER HOUSING	PART NUMBER	MAX. OPERAT. PRESSURE [bar/psi]	FLOW RATE AT 7 bar(g), 20 °C		DIMENSIONS [mm]				WEIGHT [kg]	FILTER ELEMENT
			[Nm³/h]	[scfm]	A	B	C	D		
F 005 S	223070A	16 / 232	60	35	187	88	20	60	0.7	223191
F 007 S	223071A	16 / 232	78	46	187	88	20	60	0.7	223192
F 010 S	223072A	16 / 232	120	70	257	88	20	80	0.8	223193
F 018 S	223073A	16 / 232	198	116	263	125	32	100	1.8	223194
F 030 S	223074A	16 / 232	335	197	363	125	32	120	2.5	223195
F 047 S	223075A	16 / 232	510	300	461	125	32	140	2.5	223196
F 070 S	223076A	16 / 232	780	459	640	125	32	160	3.2	223197
F 094 S	223077A	16 / 232	1000	588	684	163	43	520	5.1	223198
F 150 S	223078A	16 / 232	1500	882	935	163	43	770	7.1	223199
F 200 S	CC1182429	16 / 232	2160	1270	795	240	59	630	12.9	CC1183035
F 240 S	223079A	16 / 232	2760	1620	1,000	240	59	780	14.0	223200

QUALITY CLASS - SOLIDS [ISO 8573-1]	RESIDUAL OIL CONTENT [mg/m³]	QUALITY CLASS - OILS [ISO 8573-1]	PRESSURE DROP - NEW ELEMENT [mbar/psi]	CHANGE FILTER ELEM. AT PRESS. DROP [mbar/psi]	FILTER MATERIAL	PLEATED VERSION	WRAPPED VERSION	SINTERED VERSION	OPERATING TEMPERATURE	
									MIN	MAX
1	<0.01	1	80 / 1.160	350 / 5.07	borosilicate micro fibres	✓	-	-	1.5 / 35	65 / 149

A ACTIVATED CARBON										
FILTER HOUSING	PART NUMBER	MAX. OPERAT. PRESSURE [bar/psi]	FLOW RATE AT 7 bar(g), 20 °C		DIMENSIONS [mm]				WEIGHT [kg]	FILTER ELEMENT
			[Nm³/h]	[scfm]	A	B	C	D		
F 005 A	223090A	16 / 232	60	35	187	88	20	60	0.7	223211
F 007 A	223091A	16 / 232	78	46	187	88	20	60	0.7	223212
F 010 A	223092A	16 / 232	120	70	257	88	20	80	0.8	223213
F 018 A	223093A	16 / 232	198	116	263	125	32	100	1.8	223214
F 030 A	223094A	16 / 232	335	197	363	125	32	120	2.5	223215
F 047 A	223095A	16 / 232	510	300	461	125	32	140	2.5	223216
F 070 A	223096A	16 / 232	780	459	640	125	32	160	3.2	223217
F 094 A	223097A	16 / 232	1000	588	684	163	43	520	5.1	223218
F 150 A	223098A	16 / 232	1500	882	935	163	43	770	7.1	223219
F 200 A	CC1182430	16 / 232	2160	1270	795	240	59	630	12.9	CC1183036
F 240 A	223099A	16 / 232	2760	1620	1,000	240	59	780	14.0	223220

QUALITY CLASS - SOLIDS [ISO 8573-1]	RESIDUAL OIL CONTENT [mg/m³]	QUALITY CLASS - OILS [ISO 8573-1]	PRESSURE DROP - NEW ELEMENT [mbar/psi]	CHANGE FILTER ELEM. AT PRESS. DROP [mbar/psi]	FILTER MATERIAL	PLEATED VERSION	WRAPPED VERSION	SINTERED VERSION	OPERATING TEMPERATURE	
									MIN	MAX
1 <sup>2)</sup>	<0.005	1	60 / 0.870	6 months <sup>1)</sup>	borosilic. micro fibres, act. carbon	-	✓	-	1.5 / 35	65 / 113

CORRECTION FACTORS															
OPERATING PRESSURE [bar]	2	3	4	5	6	7	8	9	10	11	12	13	14	15	16
OPERATING PRESSURE [psi]	29	44	58	72	87	100	115	130	145	160	174	189	203	218	232
CORRECTION FACTOR	0.38	0.50	0.63	0.75	0.88	1	1.13	1.25	1.38	1.50	1.63	1.75	1.88	2.00	2.13

<sup>1)</sup> Filter elements "A", must be changed periodically to suit application, but at least every 6 months. Activated carbon filters must not operate in oil saturated conditions.  
<sup>2)</sup> Valid if "S" filter cartridge is installed upstream.

NOTE: For port sizes please refer to pages 135 and 136.

# F-W SERIES ALUMINIUM CYCLONE CONDENSATE SEPARATORS

## At a glance...



**Operating Pressure**  
16 bar



**Volume Flow**  
60 - 2160 Nm<sup>3</sup>/h



**Connections**  
3/8" - 3"



**Operating Temp. Range**  
1.5 - 65°C



F-W condensate separators are designed for high efficient removal of bulk liquids from compressed air and vacuum systems. Inside the housing there is an insert with vanes that creates controlled rotation of the air.

As a result of centrifugal action liquids (water, oil) and large particles are forced to the housing wall, slowed down and accumulated at the bottom of separator housing as condensate. The turbulent free zone in the lower part of the filter housing prevents condensate from being picked up and "carried over" into the airstream.

To discharge condensate from the F-W cyclone separator it is essential to install automatic or electronic condensate drain.

FILTER HOUSING	PART NUMBER	MAX. OPER. PRESSURE [bar/psi]	FLOW RATE AT 7 bar(g), 20 °C		TEMPERATURE OPERATING RANGE		DIMENSIONS [mm]				WEIGHT [kg]	FILTER ELEMENT
			[Nm <sup>3</sup> /h]	[SCFM]	[°C]	[°F]	A	B	C	D		
F 05 W	CC1177720	16 / 232	60	35	1.5 - 65	35 - 149	187	88	20	60	0.7	CC1188141
F 07 W	CC1177721	16 / 232	78	46	1.5 - 65	35 - 149	187	88	20	60	0.7	CC1188142
F 010 W	223101A	16 / 232	120	70	1.5 - 65	35 - 149	257	88	20	80	0.8	CC1183037
F 030 W	223102A	16 / 232	198	116	1.5 - 65	35 - 149	263	125	32	100	1.8	CC1183038
F 070 W	223103A	16 / 232	510	300	1.5 - 65	35 - 149	461	125	32	140	2.5	CC1183039
F 094 W	CC1181853	16 / 232	1000	588	1.5 - 65	35 - 149	684	163	43	520	5.1	CC1183040
F 150 W	223104A	16 / 232	1500	882	1.5 - 65	35 - 149	684	163	43	520	5.1	CC1183041
F 200 W	CC1182432	16 / 232	2160	1270	1.5 - 65	35 - 149	795	240	59	630	12.9	CC1183042



QUALITY CLASS - SOLIDS [ISO 8573-1]	-
QUALITY CLASS - WATER [ISO 8573-1]	8
QUALITY CLASS - OILS [ISO 8573-1]	-
EFFICIENCY	>98%

## CORRECTION FACTORS

OPERATING PRESSURE [bar]	2	3	4	5	6	7	8	9	10	11	12	13	14	15	16
OPERATING PRESSURE [psi]	29	44	58	72	87	100	115	130	145	160	174	189	203	218	232
CORRECTION FACTOR	0.38	0.50	0.63	0.75	0.88	1	1.13	1.25	1.38	1.50	1.63	1.75	1.88	2.00	2.13

# Differential pressure indicators & accessories

## MDA60 DIFFERENTIAL PRESS. INDICATOR



OPERAT. PRESS. RANGE	0 - 20 bar [0 - 290 psi]
OPERAT. TEMP. RANGE	1.5 - 65°C [35 - 149°F]
MASS	0.36 kg
MEASURING RANGE	2 bar [29 psi]
DIMENSIONS [LxBxH]	84 x ø80 x 78 mm
PART NUMBER	CC1151396

## SG SIGHT GLASS



TYPE	SG
OPERATING PRESSURE	0 - 16 bar [0 - 232 psi]
OPERATING TEMPERATURE	1.5 - +65°C [35 - 149°F]
OPERATING FLUID	Air, water, oil
MATERIAL	PA12
DIMENSIONS [mm]	59.0 x 20.5 x 11.0
PART NUMBER	CC1183816

## EPG 60 DIFFERENTIAL PRESS. INDICATOR



	EPG
SERVICE NETWORK CONNEC.	no
SYSTEM PRESS. RANGE	0 - 16 bar [0 - 232 psi]
DIFFERENTIAL PRESS. RANGE	0.07 - 1.00 bar
MAX. DIFFERENTIAL PRESS.	1 bar [14.7 psi]
AMBIENT OPER. TEMP.	1.5°C - 40°C
COMPR. AIR OPER. TEMP.	1.5°C - 65°C
MASS	130 g (without batt.)
DIMENSIONS [LxBxH]	61.5 x 81 x 62 mm
PART NUMBER	CC1183799

## WS/WM WALL MOUNTING KIT FOR FILTERS



TYPE	WS	WS
FITS TO FILTER HOUSINGS	F005 - F010	F018 - F070
OPERATING TEMP.	-20 - +120°C [-4 - 248°F]	
MAX. LOAD/CONSOLE	6 kg	15 kg
MASS [kg]	0.35	0.6
MATERIAL	Stainless steel	
PART NUMBER	CC1183818	CC1183820

## MDM 60 DIFFERENTIAL PRESS. INDICATOR



OPERAT. PRESS. RANGE	0 - 16 bar [0 - 232 psi]
OPERAT. TEMP. RANGE	1.5 - 65°C [35 - 149°F]
MASS	0.15 kg
MEASURING RANGE	0.9 bar [13 psi]
DIMENSIONS [L x B x H]	72 x 64 x 68 mm
PART NUMBER	CC1032412

## AK ASSEMBLY KIT FOR FILTERS



TYPE	CONNEC.	OPERAT. TEMP.	OPERAT. PRESS.	MAX. LOAD/CONSOLE	PART NUMBER
AK 3/8"	3/8"	1.5 - 65°C	0 - 20 bar	0.47	CC1183821
AK 1/2"	1/2"	1.5 - 65°C	0 - 20 bar	0.47	CC1169902
AK 3/4"	3/4"	1.5 - 65°C	0 - 20 bar	0.47	CC1151673
AK 1"	1"	1.5 - 65°C	0 - 20 bar	0.47	CC1166431
AK 1 1/2"	1 1/2"	1.5 - 65°C	0 - 20 bar	0.47	CC1183822
AK 2"	2"	1.5 - 65°C	0 - 20 bar	0.47	CC1166432
AK 2 1/2"	2 1/2"	1.5 - 65°C	0 - 20 bar	0.47	CC1183824
AK 3"	3"	1.5 - 65°C	0 - 20 bar	0.47	CC1166433

## PDI 16 DIFFERENTIAL PRESS. INDICATOR



OPERAT. PRESS. RANGE	0 - 16 bar [0 - 232 psi]
OPERAT. TEMP. RANGE	1.5 - 65°C [35 - 149°F]
MASS	0.33 kg
MEASURING RANGE	0 - 0.9 bar [0 - 13 psi]
DIMENSIONS [L x B x H]	ø40 x 35 mm
PART NUMBER	CC1183801

## 2S, 3S, 2M, 3M ASSEMBLY KIT FOR FILTERS



CONSOLE TYPE	FOR FILTER TYPE	PART NUMBER
2S	2 x F005 to F010	CC1183802
3S	3 x F005 to F010	CC1183803
2M	2 x F018 to F070	CC1183814
3M	3 x F018 to F070	CC1183815

# CT SERIES REFRIGERATION AIR DRYERS



CT dryers achieve excellent performance even in instances of high ambient and high inlet temperatures. The highly efficient and ultra compact heat exchanger is able to operate effectively in ambient temperatures up to 45°C and inlet temperatures of 55°C, ensuring a reduced compressed air pressure drop.

## Functionality

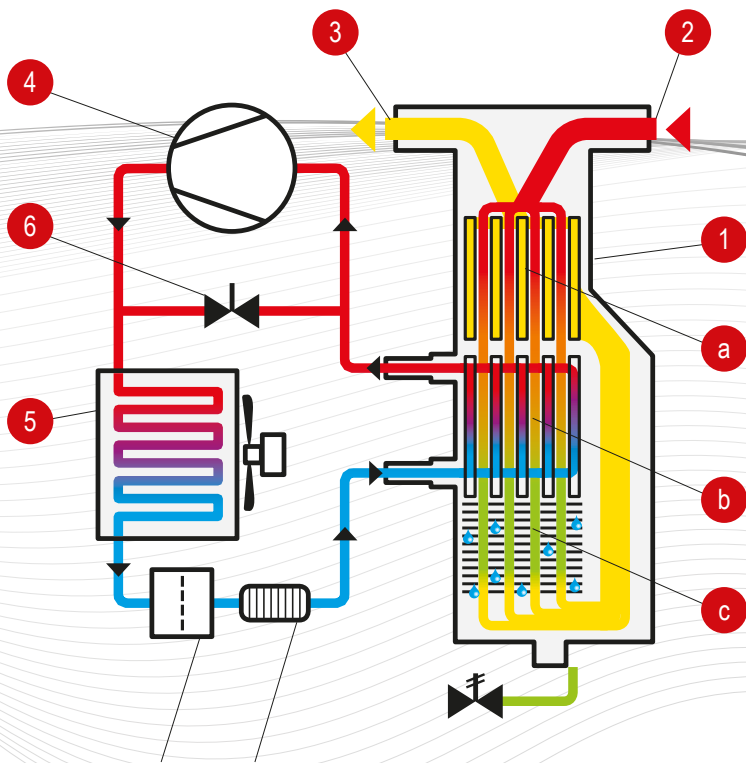
Operation of the CT dryer is monitored by DMC15 electronic controller which indicates the DewPoint temperature digitally, controls the condensate drain valve via a timer and the condenser fan via a probe. From model CT 43 the fan is activated by a pressure switch.



A hot gas by-pass valve allows the dryer to operate at part load and prevent the evaporator from freezing. The ALU-DRY aluminium Module has a vertical flow layout ensuring the wet compressed air flows down to the automatic drain.

The circulation of the refrigerant in the system is by high efficiency piston and rotary refrigerant compressors which, thanks to their innovative construction, have reduced energy consumption and high reliability levels.





### Main components

- 1 Heat exchanger module
- a Heat exchanger air/air - pre-cooler
- b Evaporator air/refrigerant
- c Demister
- 2 Compressed air input - wet
- 3 Compressed air output - dry
- 4 Compressor
- 5 Condenser
- 6 Hot gas by-pass valve
- 7 Gas filter
- 8 Expansion valve or capillary tube
- 9 Electronic condensate drain
- 10 Controller

TYPE	PART NO	AIR FLOW			AIR CONNECTIONS IN/OUT	POWER SUPPLY	DIMENSIONS			WEIGHT [kg]
		[l/min]	[m³/h]	[scfm]			A [mm]	B [mm]	C [mm]	
CT 3	CMP1162865	318	19	11	3/8"	230V / 1f / 50-60Hz	310	345	435	21
CT 6	CMP1162867	546	33	19	1/2"	230V / 1f / 50-60Hz	370	515	475	25
CT 9	CMP1162868	864	52	31	1/2"	230V / 1f / 50-60Hz	370	515	475	26
CT 12	CMP1162869	1,100	66	38	1/2"	230V / 1f / 50-60Hz	370	515	475	28
CT 18	CMP1177081	1,633	98	58	1/2"	230V / 1f / 50-60Hz	370	515	475	32
CT 25	CMP1177082	2,283	137	80	1"	230V / 1f / 50-60Hz	345	420	740	34
CT 32	CMP1177083	2,917	175	103	1 1/4"	230V / 1f / 50Hz	345	445	740	39
CT 43	CMP1162872	3,917	235	138	1 1/4"	230V / 1f / 50Hz	345	445	740	40
CT 52	CMP1162873	4,733	284	167	1 1/4"	230V / 1f / 50Hz	485	455	825	49
CT 61	CMP1162874	5,550	333	197	1 1/2"	230V / 1f / 50Hz	555	580	885	54
CT 75	CMP1162875	6,833	410	241	1 1/2"	230V / 1f / 50Hz	555	580	885	56
CT 105	CMP1162876	9,555	573	338	2"	230V / 1f / 50Hz	555	625	975	94
CT 130	CMP1162877	11,833	710	418	2"	230V / 1f / 50Hz	555	625	975	96
CT 168	CMP1162878	15,283	917	541	2 1/2"	230V / 1f / 50Hz	665	725	1,105	144
CT 190	CMP1162879	17,283	1,037	611	2 1/2"	400V / 3f / 50Hz	646	920	1,100	189
CT 220	CMP1162880	20,020	1,201	707	2 1/2"	400V / 3f / 50Hz	645	920	1,100	212

### CORRECTION FACTOR FOR OPERATING PRESSURE

OPERATING PRESSURE [bar(g)]	4	5	6	7	8	10	12	14
CORRECTION FACTOR K1	0.77	0.86	0.93	1.00	1.05	1.14	1.21	1.27

### CORRECTION FACTOR FOR AMBIENT TEMPERATURE CHANGES

TEMPERATURE [°C]	25	30	35	40	45
CORRECTION FACTOR K3	1.09	0.95	0.88	0.79	0.68

### CORRECTION FACTOR FOR DEW POINT CHANGES

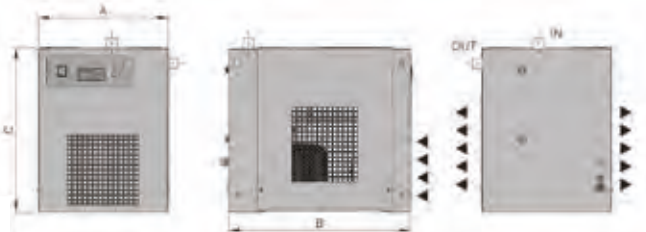
TEMPERATURE [°C]	3	5	7	10
CORRECTION FACTOR K4	1.00	1.099	1.209	1.385

### CORRECTION FACTOR FOR INLET AIR TEMPERATURE CHANGES

OPERAT. PRESSURE [bar(g)]	30	35	40	45	50	55
CORRECTION FACTOR K2	1.11	1.00	0.81	0.67	0.55	0.45

Data refer to the following nominal condition: Ambient temperature of 25°C, with inlet air at 7 barg and 35°C and 5°C pressure Dew Point (-20.5°C atmospheric pressure Dew Point).

Max. working condition: Ambient temperature 45°C, inlet air temperature 55°C and inlet air pressure 14 barg (16 barg for CT 3...18).



# CHA-DRY SERIES HEATLESS ADSORPTION DRYERS

## Applications

- Compressed air systems

## At a glance...



**Operating Pressure**  
4 - 16 bar



**Flow Rate**  
6 - 600 Nm<sup>3</sup>/h



**Pressure Dew Points**  
-40°C (-25°C / -70°C)



**Operating Temp. Range**  
1.5 - 50°C

CHA-DRY desiccant adsorption dryer has been designed to separate water moisture from compressed air thus reducing the dew point in the system.

CHA-DRY is a range of products offering our customers a wide array of dried air solutions with volumetric flow rates ranging from 6 to 600 Nm<sup>3</sup>/h. An innovative new design of CHA-DRY adsorption dryers, developed with consideration of our customers, enables fast and reliable installation, use and servicing. Installation is simple with our ready to use controller while minimising the number of parts and motions required for assembly and disassembly makes servicing fast and reliable.

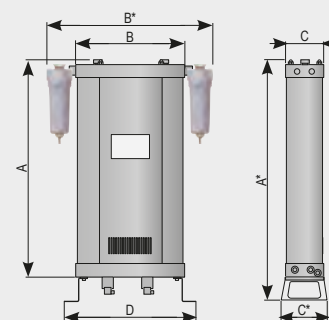
Filtration included as standard





TYPE	PART NO	CONNECTION IN/OUT	NOMINAL VOLUME FLOW		DIMENSIONS								WEIGHT [kg]
			INLET <sup>1)</sup> [Nm <sup>3</sup> /h]	OUTLET <sup>2)</sup> [Nm <sup>3</sup> /h]	A [mm]	A* [mm]	B [mm]	B* [mm]	C [mm]	C* [mm]	D [mm]		
CHA-DRY 06	CC1148763	G3/8"	6	4.7	339	520	280	480	100	130	354	10.5	
CHA-DRY 12	CC1148765	G3/8"	12	9.5	573	715	280	480	100	130	354	13.5	
CHA-DRY 24	CC1148766	G3/8"	24	19.0	1,041	1,105	280	480	100	130	354	19.0	
CHA-DRY 36	CC1148767	G3/8"	36	28.4	1,509	1,495	280	480	100	130	354	27.5	
CHA-DRY 60	CC1148768	G3/4"	60	47.4	972	1,105	370	570	148	170	434	45.0	
CHA-DRY 75	CC1148769	G3/4"	75	59.3	1,167	1,300	370	570	148	170	434	53.0	
CHA-DRY 105	CC1148770	G3/4"	117	83	1,567	1,700	370	570	148	170	434	70.0	
CHA-DRY 150	CC1148771	G1"	150	118	1,345	1,440	440	725	198	240	570	170.5	
CHA-DRY 200	CC1148772	G1"	200	158	1,538	1,655	440	725	198	240	570	182.2	

OPERATING PRESS. RANGE	4 to 16 bar[g] [CHA-DRY 06-200]; 4 to 10 bar[g] [CHA-DRY 250-600]
OPERATING TEMP. RANGE	+1.5 °C to +50 °C
PRESSURE DEW POINTS	-25 °C / -40 °C / -70 °C
VOLTAGE, FREQUENCY	230V, 50/60 Hz
POWER CONSUMPTION	<35 W
PROTECTION CLASS	IP 65
FILTER (INLET)*	Super fine; 0.01 µm
FILTER (OUTLET)	Dust filter; 1 µm



#### CORRECTION FACTORS - F1

OPERATING PRESSURE [bar]	4	5	6	7	8	9	10	11	12	13	14	15	16
OPERATING PRESSURE [psi]	58	72	87	100	115	130	145	160	174	189	203	218	232
CORRECTION FACTOR	0.63	0.75	0.88	1	1.13	1.25	1.38	1.50	1.63	1.75	1.88	2.00	2.13

#### CORRECTION FACTORS - F2

INLET TEMPERATURE [°C]	25	30	35	40	45	50
CORRECTION FACTOR	1.00	1.00	1.00	0.97	0.87	0.80

#### DEW POINT

[°C]	-25	-40	-70
C <sub>D</sub>	1.1	1	0.7

<sup>1)</sup> Refers to 1 bar(a) and 20 °C at 7 bar operating pressure, inlet temperature 35 °C and pressure dew point at outlet -40 °C.

<sup>2)</sup> Outlet flow refers to typical assumption during regeneration phase for operating at nominal inlet flow conditions. Outlet flow includes average air losses of approximately 17.3%.

\* If dryer is supplied without inlet filter compressed air class 1 (ISO 8753-1) for solid particles and oil should be provided to the inlet of the dryer.

# CHB-DRY SERIES HEATLESS REGENERATED ADSORPTION DRYERS

### Applications

- Compressed air systems

### At a glance...



**Operating Pressure**  
4 - 16 bar



**Flow Rate**  
110 - 1000 Nm<sup>3</sup>/h



**Pressure Dew Points**  
-40°C [-25°C / -70°C]



**Operating Temp. Range**  
1.5 - 60°C

CHB-DRY adsorption dryers are designed for continuous separation of water vapour from the compressed air thus reducing the pressure dew point. CHB-DRY series dryer consists of two columns, filled with desiccant beds, controller with LCD display, valves, manometers, support construction and suitable filter housings with the required filter element. Adsorption takes place under pressure in the first column while the second column regenerates with a portion of already dried compressed air at ambient pressure.

When the first column is saturated to a certain level column switch-over is carried out and the process of adsorption continues in the second column without any drop of pressure at the outlet of the dryer. Regeneration of saturated desiccant is possible because a small portion of already dry compressed air is decompressed and when expanded it becomes extremely dry.

**Pre and Post Filtration included as standard.**



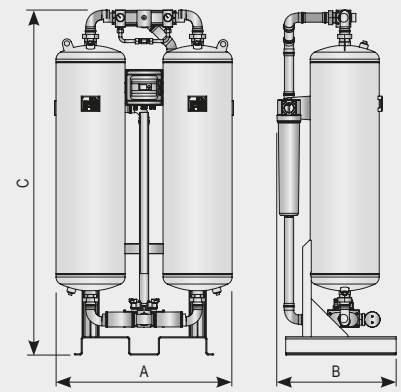




TYPE	PART NO	CONNECTION IN/OUT	NOMINAL VOLUME FLOW		DIMENSIONS			WEIGHT [kg]
			INLET <sup>1)</sup> [Nm <sup>3</sup> /h]	OUTLET <sup>2)</sup> [Nm <sup>3</sup> /h]	A [mm]	B [mm]	C [mm]	
CHB-DRY 110	CC1148781	G 1"	110	86.0	719 ±5	422	1,647	140
CHB-DRY 150	CC1148782	G 1"	150	117.5	707 ±5	422	1,897	156
CHB-DRY 200	CC1148783	G 1"	200	157.0	707 ±5	471	1,664	196
CHB-DRY 250	CC1148784	G 1"	260	204.0	707 ±5	471	1,914	236
CHB-DRY 300	CC1148785	G 1 1/2"	320	251.0	860 ±5	535	1,742	274
CHB-DRY 400	CC1148786	G 1 1/2"	410	321.5	854 ±5	535	1,989	295
CHB-DRY 600	CC1148787	G 1 1/2"	590	462.5	854 ±5	671	2,051	392
CHB-DRY 800	CC1148788	G 2"	770	603.5	1051 ±10	701	2,080	507
CHB-DRY 1000	CC1148789	G 2"	1000	784.0	1051 ±10	701	2,140	597

VOLTAGE, FREQUENCY	230V, 50/60 Hz
POWER CONSUMPTION	<60 W
PROTECTION CLASS	IP 65
FILTER (INLET)*	Super fine - 0.01 µm
FILTER (OUTLET)	Dust filter; 1 µm
DPD CONTROL	Optional
INPUT FOR STAND-BY	Standard
FILTER (OUTLET)	Dust filter; 1 µm

DEW POINT - CORRECTION FACTORS - C <sub>D</sub>			
OPERAT. TEMP. [°C]	-25	-40	-70
OPERAT. TEMP. [F]	-13	-40	-94
CORRECTION FACTOR C <sub>D</sub>	1.1	1	0.7



OPERATING TEMPERATURE - CORRECTION FACTORS - C <sub>OT</sub>								
OPERAT. TEMP. [°C]	25	30	35	40	45	50	55	60
OPERAT. TEMP. [F]	77	86	95	104	113	122	131	140
CORRECTION FACTOR C <sub>OT</sub>	1	1	1	0.97	0.87	0.80	0.64	0.51

OPERATING PRESSURE - CORRECTION FACTORS - C <sub>OP</sub>															
OPERATING PRESS. [bar]	2	3	4	5	6	7	8	9	10	11	12	13	14	15	16
OPERATING PRESS. [psi]	29	44	58	72	87	100	115	130	145	160	174	189	203	218	232
CORRECTION FACTOR C <sub>OP</sub>	0.38	0.5	0.63	0.75	0.88	1	1.13	1.25	1.38	1.50	1.63	1.75	1.88	2.00	2.13





<sup>1)</sup> Refers to 1bar(a) and 20°C at 7 bar operating pressure, inlet temperature 35°C and pressure dew point at outlet -40°C.

<sup>2)</sup> Outlet flow refers to typical assumption during regeneration phase for operating at nominal inlet flow conditions. Outlet flow includes average air losses of approximately 17.3 %.

\* If dryer is supplied without inlet filter compressed air class 1 (ISO 8753-1) for solid particles and oil should be provided to the inlet of the dryer.

# CHX-DRY SERIES HEATLESS REGENERATED MODULAR ADSORPTION DRYERS

**At a glance...**

	<b>Operating Pressure</b> 4 - 16 bar		<b>Flow Rate</b> 300 - 1050 Nm <sup>3</sup> /h
	<b>Pressure Dew Points</b> -40°C [-25°C / -70°C]		<b>Operating Temp. Range</b> 1.5 - 60°C

CHX-DRY 300-1050 modular adsorption dryers are designed for continuous separation of water vapour from compressed air thus reducing dew point. Operation of dryer requires two columns operated alternately.

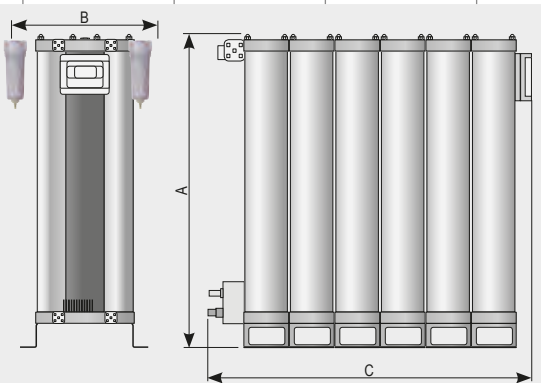
Adsorption takes place under pressure in first column while second column regenerates with a portion of already dried compressed air at ambient pressure.

A dryer consists of two columns, filled with desiccant beads, controller with LCD display, valves, manometers, support construction and suitable filter housings with the required filter element. Proven robust design enables efficient and reliable operation, fast installation and simple maintenance.



TYPE	PART NO	CONNECTION IN/OUT <sup>3)</sup>	NOMINAL VOLUME FLOW		DIMENSIONS			WEIGHT [kg]
			INLET <sup>1)</sup> [Nm <sup>3</sup> /h]	OUTLET <sup>2)</sup> [Nm <sup>3</sup> /h]	A [mm]	B [mm]	C [mm]	
CHX-DRY 300	CC1148774	G 2"	300	237	1,515	674	686	350
CHX-DRY 450	CC1148775	G 2"	450	255.5	1,515	674	886	520
CHX-DRY 600	CC1148776	G 2"	600	474	1,515	674	1,086	690
CHX-DRY 750	CC1148778	G 2"	750	592.5	1,515	674	1,286	860
CHX-DRY 900	CC1148779	G 2"	900	711	1,515	674	1,486	1030
CHX-DRY1050	CC1148780	G 2"	1,050	829.5	1,515	674	1,686	1200

<b>OPERATING PRESS. RANGE</b>	4 to 16 bar
<b>OPERATING TEMP. RANGE</b>	+1.5°C to +60°C
<b>PRESSURE DEW POINTS</b>	-40°C [-25°C / -70°C]
<b>VOLTAGE, FREQUENCY</b>	230V, 50/60 Hz
<b>POWER CONSUMPTION</b>	<60 W
<b>PROTECTION CLASS</b>	IP 65
<b>FILTER (INLET)*</b>	Super fine - 0.01 µm
<b>FILTER (OUTLET)</b>	Dust filter; 1 µm



<sup>1)</sup> Refers to 1bar(a) and 20°C at 7 bar operating pressure, inlet temperature 35°C and pressure dew point at outlet -40°C.  
<sup>2)</sup> Outlet flow refers to typical assumption during regeneration phase for operating at nominal inlet flow conditions. Outlet flow includes average air losses of approximately 17.3%.  
<sup>3)</sup> Refers to inlet and outlet filter housing.

CORRECTION FACTORS - F1															
<b>OPERATING PRESS. [bar]</b>	2	3	4	5	6	7	8	9	10	11	12	13	14	15	16
<b>OPERATING PRESS. [psi]</b>	29	44	58	72	87	100	115	130	145	160	174	189	203	218	232
<b>CORRECTION FACTOR</b>	0.38	0.5	0.63	0.75	0.88	1	1.13	1.25	1.38	1.50	1.63	1.75	1.88	2.00	2.13
CORRECTION FACTORS - F2										DEW POINT					
<b>INLET TEMPERATURE [°C]</b>	25	30	35	40	45	50	55	60	<b>[°C]</b>	-25	-40	-70			
<b>CORRECTION FACTOR</b>	1.00	1.00	1.00	0.97	0.87	0.80	0.64	0.51	<b>C<sub>p</sub></b>	1.1	1	0.7			

# CHM-DRY SERIES

## MEMBRANE DRYERS

### At a glance...

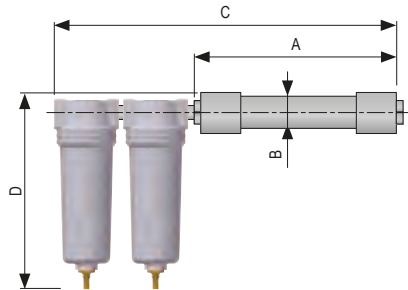
	<b>Operating Pressure</b> 12 bar		<b>Flow Rate</b> 0.05 - 3 m <sup>3</sup> /min
	<b>Pipe Size</b> ¼ - 1"		<b>Operating Temp. Range</b> 1.5 - 60°C



### Applications<sup>1</sup>

- Automotive painting
- Industrial "Point-Of-Use" drying
- Low dew point instrument air
- Pneumatics
- Medical air
- Analytical Equipment
- Pressurising electrical cabinets

CHM-DRY membrane air dryers have been developed for high efficient removal of water vapours from compressed air.



TYPE	PART NO	PIPE SIZE [inch]	OPERATING PRESSURE [bar]	FLOW RATE *		DIMENSIONS			
				[m <sup>3</sup> /min]	[cfm]	A [mm]	B [mm]	C [mm]	D [mm]
CHM-DRY 3	CC1189577	¼	12	0.05	1.8	224	43.7	325	175
CHM-DRY 6	CC1189578	¼	12	0.1	3.5	325	43.7	453	175
CHM-DRY 9	CC1189579	¼	12	0.15	5.3	427	43.7	555	175
CHM-DRY 12	CC1189580	¼	12	0.2	7.1	503	43.7	611	175
CHM-DRY 18	CC1189581	½	12	0.3	10.6	312	61	476	208
CHM-DRY 24	CC1189582	½	12	0.4	14.1	376	61	540	208
CHM-DRY 32	CC1189583	½	12	0.6	21.2	465	61	661	208
CHM-DRY 44	CC1189584	½	12	0.8	28.3	592	61	788	208
CHM-DRY 63	CC1189585	½	12	1.05	37.1	411	89	607	208
CHM-DRY 90	CC1189586	½	12	1.5	53.0	551	89	755	284
CHM-DRY 123	CC1189587	½	12	2.05	72.4	551	89	577	284
CHM-DRY 180	CC1189588	1	12	3	106.6	607	114	1.805	290

\* At 7 bar, inlet dew point 35 °C, outlet dew point 15 °C.

Prices includes complete kit.

OPERATING PRESSURE - CORRECTION FACTORS - C									
OPERATING PRESSURE [bar]	4	5	6	7	8	9	10	11	12
OPERATING PRESSURE [psi]	58	72	87	100	115	130	145	160	174
CORRECTION FACTOR	0.41	0.56	0.76	1	1.22	1.48	1.76	1.86	2.22

# CHACA SERIES

## AIR COOLED AFTERCOOLERS

### At a glance...



**Operating Pressure**  
7 - 15 bar



**Flow Rate**  
1.1 - 75 m<sup>3</sup>/min

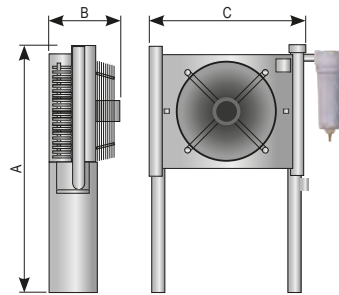


**Operating Temp. Range**  
25 - 120°C



**Pipe Size**  
1 - 2½"

Air cooled aftercoolers series CHACA have been designed to reduce compressed air temperature and water vapour dew point in compressed air system. A high efficiency axial fan forces ambient air over the heat exchangers copper tubes supported by aluminium fins, which provides the necessary cooling effect. The compressed air is cooled down to approximately 10°C above ambient temperature. CHACA aftercoolers ensures the maximum performance and protection of all equipment, such as refrigeration dryers, adsorption dryers and filters, positioned downstream of this unit.



TYPE	PART NO	FLOW RATE		PIPE SIZE	POWER SUPPLY	FAN	DIMENSIONS			WEIGHT
		[m <sup>3</sup> /min]	[cfm]				A [mm]	B [mm]	C [mm]	
CHACA 3	CC1189498	1.1	39	G 1"	1/230/50	ø250-45W	850	300	715	19
CHACA 7	CC1189499	2.1	74	G 1"	1/230/50	ø250-45W	850	300	715	20
CHACA 10	CC1189500	3.7	131	G 1 1/2"	3/400/50	ø350-110W	990	310	845	27
CHACA 18	CC1189501	4.9	173	G 1 1/2"	3/400/50	ø400-130W	990	310	845	29
CHACA 30	CC1189504	6.5	230	G 2"	3/400/50	ø500-750W	1175	440	980	44
CHACA 47	CC1189505	8.7	307	G 2"	3/400/50	ø500-750W	1175	440	980	48
CHACA 70	CC1189506	12.9	456	G 2"	3/400/50	ø600-370W	1325	490	1130	61
CHACA 94	CC1189507	16.5	583	G 2 1/2"	3/400/50	ø600-370W	1325	490	1130	66
CHACA 150	CC1189508	21	742	DN100	3/400/50	ø800-1470W	1800	660	1590	127
CHACA 175	CC1189509	26	918	DN100	3/400/50	ø800-1470W	1800	660	1590	143
CHACA 240	CC1189510	31.5	1112	DN100	3/400/50	ø800-1470W	1800	790	1560	148
CHACA 300	CC1189511	42	1483	DN100	3/400/50	ø800-1470W	2000	795	1740	166
CHACA 450	CC1189512	51.5	1819	DN125	3/400/50	2x ø800-1470W	2090	830	1850	212
CHACA 600	CC1189513	75	2649	DN125	3/400/50	2x ø800-1470W	2300	850	2010	315

# CHACW SERIES

## WATER COOLED AFTERCOOLERS

### At a glance...



**Operating Pressure**

0 - 16 bar



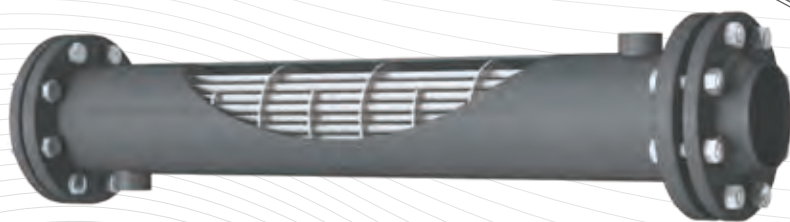
**Flow Rate**

2.2 - 759.5 m<sup>3</sup>/min



**Operating Temp. Range**

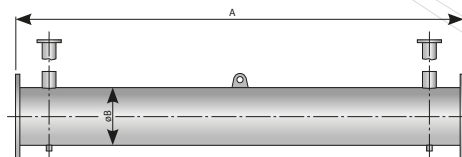
1.5 - 200°C



### Applications

- Automotive
- Electronics
- Food & Beverage
- Chemical
- Petrochemical
- Plastics
- Paint
- General industrial application

Water-cooled aftercoolers series CHACW have been designed, to reduce compressed air temperature thus water vapour content in compressed air system. Hot compressed air/gas passes through the tubes. Cooling water passes around the tubes in counter flow. CHACW aftercooler ensures the maximum performance and protection of all equipment, such as refrigeration dryers, adsorption dryers and filters, positioned downstream of this unit.



TYPE	PART NO	CONNECTIONS		OPERATING PRESSURE [bar]	FLOW RATE		DIMENSIONS	
		[Air]	[Water]		[m <sup>3</sup> /min]	[cfm]	A [mm]	B [mm]
CHACW 10	CC1189520	DN50	DN20	0 - 16	2.2	78	806	60.3
CHACW 18	CC1189521	DN50	DN20	0 - 16	3.92	138	816	60.3
CHACW 30	CC1189522	DN50	DN20	0 - 16	6.12	216	816	60.3
CHACW 47	CC1189523	DN50	DN20	0 - 16	11.02	389	870	60.3
CHACW 70	CC1189534	DN50	DN20	0 - 16	15.92	562	870	60.3
CHACW 94	CC1189535	DN80	DN20	0 - 16	22.05	779	1500	88.9
CHACW 150	CC1189536	DN80	DN20	0 - 16	36.75	1298	1510	88.9
CHACW 200	CC1189537	DN100	DN40	0 - 16	44.17	1560	1500	114.3
CHACW 240	CC1189538	DN125	DN32	0 - 16	51.45	1817	1300	139.7
CHACW 300	CC1189539	DN125	DN32	0 - 16	66.15	2336	1300	139.7
CHACW 375	CC1189540	DN150	DN65	0 - 16	86.67	3060	1300	168.3
CHACW 450	CC1189541	DN200	DN50	0 - 16	117.6	4153	1300	219
CHACW 600	CC1189542	DN200	DN65	0 - 16	149.45	5278	1300	219
CHACW 900	CC1189543	DN250	DN80	0 - 10	183.75	6489	1300	273
CHACW 1200	CC1189544	DN300	DN80	0 - 10	269.5	9517	1300	323.9
CHACW 1500	CC1189545	DN400	DN100	0 - 10	367.5	12978	1300	406
CHACW 1800	CC1189546	DN400	DN150	0 - 10	441	15574	1300	406
CHACW 2500	CC1189547	DN450	DN200	0 - 10	563.5	19900	1300	457
CHACW 3000	CC1189548	DN500	DN200	0 - 10	759.5	26821	1300	508

# ACTIVATED CARBON TOWER CH-TAC SERIES

## At a glance...



**Operating Pressure**  
16 bar



**Flow Rate**  
0.1 - 108.33 m<sup>3</sup>/min



**Operating Temp. Range**  
1.5 - 45°C



**Pipe Size**  
¾ - 2"

## Applications

- Automotive
- Electronics
- Food and beverage
- Chemical
- Petrochemical
- Plastics
- Paint
- General industrial application

CH-TAC activated carbon towers have been developed for separating oil vapours from compressed air (dry type separation).

CH-TAC is made from high quality carbon steel. CH-TACm series is made from aluminium. Flow distributors ensure uniform distribution of air flow through activated carbon bed. Oil vapours as well as some other hydrocarbons are separated due to adsorption process.

Super fine coalescing filter is required upstream TAC and 1µm dust filter is recommended downstream to intercept activated carbon dust. High pressure version is available on request.

Stainless steel version available on request.

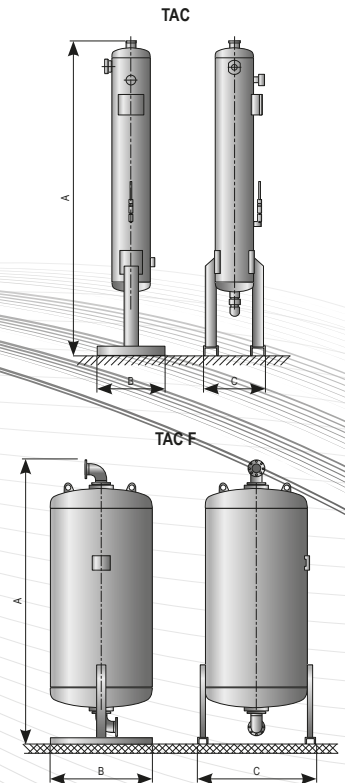
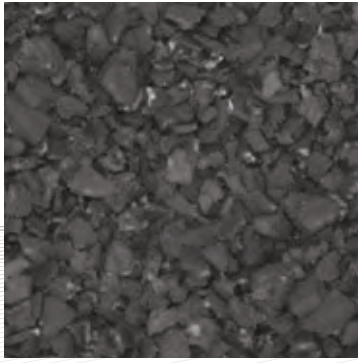
High pressure version is available on request.

QUALITY CLASS - SOLIDS (ISO 8573-1)	-
QUALITY CLASS - WATER (ISO 8573-1)	-
QUALITY CLASS - OILS (ISO 8573-1)	0/1
PRESSURE DROP - NEW ELEMENT-DRY [MBAR / PSI]	20 / 0,29
FILTER MEDIA	act. carbon
RESIDUAL OIL VAPOUR CONTENT (NOMINAL) [MG/M <sup>3</sup> ]	<0,003



TACm

TAC



## TAC SERIES

## TAC Service Kits

TYPE	PART NO	PIPE SIZE	OPERATING PRESSURE	FLOW RATE AT 7 BAR(G), 20 °C		DIMENSIONS			WEIGHT
				[bar]	[m³/min]	[cfm]	A [mm]	B [mm]	
CH-TACm 6	CC1189549	3/8"	16	0.1	3.5	404	188	100	3.5
CH-TACm 12	CC1189550	3/8"	16	0.2	7.0	638	188	100	5.3
CH-TACm 23	CC1189551	3/8"	16	0.4	14.1	1106	188	100	6.5
CH-TACm 35	CC1189552	3/8"	16	0.6	21.1	1574	188	100	12
CH-TACm 56	CC1189553	1/2"	16	1	35.3	1106	270	148	15
CH-TACm 70	CC1189554	1/2"	16	1.25	44.1	1340	270	148	18
CH-TACm 105	CC1189555	1/2"	16	1.75	61.8	1808	270	148	22
CH-TAC 110	CC1189556	1"	16	1.83	86	1522	350	252	45
CH-TAC 150	CC1189557	1"	16	2.5	117	1766	350	252	52
CH-TAC 200	CC1189558	1"	16	3.33	157	1532	400	303	71
CH-TAC 250	CC1189559	1"	16	4.33	204	1784	400	303	83
CH-TAC 300	CC1189560	1 1/2"	16	5.33	251	1551	450	357	97
CH-TAC 400	CC1189561	1 1/2"	16	6.83	321	1798	450	357	114
CH-TAC 600	CC1189562	1 1/2"	16	9.83	462	1893	650	424	160
CH-TAC 800	CC1189563	2"	16	12.83	603	1877	650	468	201
CH-TAC 1000	CC1189564	2"	16	16.67	784	1961	650	506	242
CH-TAC 1200	CC1189565	DN50	16	20	936	2170	550	550	280
CH-TAC 1500	CC1189566	DN65	16	25	1170	2210	620	620	355
CH-TAC 2000	CC1189567	DN65	16	33.33	1560	2330	700	700	420
CH-TAC 2500	CC1189568	DN80	16	41.67	1950	2260	760	760	510
CH-TAC 3000	CC1189569	DN80	16	50	2340	2400	800	800	595
CH-TAC 3750	CC1189570	DN100	16	62.5	2925	2490	920	920	745
CH-TAC 5000	CC1189571	DN100	16	83.33	3900	2600	1050	1050	960
CH-TAC 6500	CC1189572	DN125	16	108.33	5070	2730	1150	1150	1300

TYPE	PART NO
CH-TACm 6	CC1189474
CH-TACm 12	CC1189475
CH-TACm 23	CC1189476
CH-TACm 35	CC1189477
CH-TACm 56	CC1189478
CH-TACm 70	CC1189479
CH-TACm 105	CC1189480
CH-TAC 110	CC1189481
CH-TAC 150	CC1189482
CH-TAC 200	CC1189483
CH-TAC 250	CC1189484
CH-TAC 300	CC1189485
CH-TAC 400	CC1189486
CH-TAC 600	CC1189487
CH-TAC 800	CC1189488
CH-TAC 1000	CC1189489
CH-TAC 1200	CC1189490
CH-TAC 1500	CC1189491
CH-TAC 2000	CC1189492
CH-TAC 2500	CC1189493
CH-TAC 3000	CC1189494
CH-TAC 3750	CC1189495
CH-TAC 5000	CC1189496
CH-TAC 6500	CC1189497

### CORRECTION FACTORS

OPERATING PRESSURE [BAR]	2	3	4	5	6	7	8	9	10	11	12	13	14	15	16
OPERATING PRESSURE [PSI]	29	44	58	72	87	100	115	130	145	160	174	189	203	218	232
CORRECTION FACTOR	0,38	0,5	0,63	0,75	0,88	1	1,13	1,25	1,38	1,50	1,63	1,75	1,88	2,0	2,13

### CORRECTION FACTORS

OPERATING TEMPERATURE [°C]	20	25	30	35	40	45
CORRECTION FACTOR	1	0,98	0,97	0,92	0,86	0,75

Replace activated carbon every 12 months or sooner if required. Check residual oil content with oil indicator monthly.

# CH-PP SERIES PAINTING AIR FILTRATION

## At a glance...



**Operating Pressure**  
16 bar



**Flow Rate**  
0.1 - 108.33 m<sup>3</sup>/min



**Operating Temp. Range**  
1.5 - 65°C



**Pipe Size**  
1/2"

## Applications

- Chemical
- Petrochemical
- Paint
- General industrial applications
- Breathing air

CH-PP pro paint system is specifically designed for purifying compressed air from solid, liquid and partially gaseous components. Protecting air equipment in addition to providing clean air for worker health protection. PP pro paint system is easy for wall mount.

### Available modular combinations:

1. Comp. air for lower quality demands (down to 15 µm)
2. Comp. air for basic quality demands (down to 0,1 µm)
3. Comp. air for high quality demands (down to 0,01 µm)
4. Technical absolutely clean air (down to 0,1 µm, activated carbon)
5. Technical and breathable air
6. Compressed air for highest demands (all in one unit)








TYPE	PART NO	PIPE SIZE [inch]	FLOW RATE AT 7 BAR(G), 20 °C		DIMENSIONS			SEPARATOR CKL-PP	MICROFILTER M 0,1MM	MICROFILTER S 0,01MM	ACTIVE CARBON A	STERILE FILTER WITH ACTIVE CARBON SFA	ADSORPTION DRYER A-DRY 105	PRESSURE REGULATOR	QUICK COUPLING NO.
			[m³/min]	[cfm]	A [mm]	B [mm]	C [mm]								
CH-PP-107	CC1189591	1/2"	1.3	46	270	135	276	✓						✓	2
CH-PP-110	CC1189592	1/2"	2	71	270	135	345	✓						✓	2
CH-PP-207	CC1189593	1/2"	1.3	46	380	135	276	✓	✓					✓	2
CH-PP-210	CC1189594	1/2"	2	71	380	135	345	✓	✓					✓	2
CH-PP-307	CC1189595	1/2"	1.3	46	490	135	276	✓	✓	✓				✓	2
CH-PP-310	CC1189596	1/2"	2	71	490	135	345	✓	✓	✓				✓	2
CH-PP-407	CC1189597	1/2"	1.3	46	580	135	276		✓	✓	✓			✓	4
CH-PP-410	CC1189598	1/2"	2	71	580	135	345		✓	✓	✓			✓	4
CH-PP-507	CC1189599	1/2"	1.3	46	612	135	370		✓	✓		✓		✓	4
CH-PP-510	CC1189600	1/2"	2	71	612	135	440		✓	✓		✓		✓	4
CH-PP-607	CC1189601	1/2"	1.3	46	1150	335	917		✓	✓		✓	✓	✓	4
CH-PP-610	CC1189602	1/2"	2	71	1150	335	917		✓	✓		✓	✓	✓	4


#### CORRECTION FACTORS

OPERATING PRESSURE [bar]	2	3	4	5	6	7	8	9	10	11	12	13	14	15	16
OPERATING PRESSURE [psi]	29	44	58	72	87	100	115	130	145	160	174	189	203	218	232
CORRECTION FACTOR	0,38	0,50	0,63	0,75	0,88	1	1,13	1,25	1,38	1,50	1,63	1,75	1,88	2,00	2,13

0.1 MICRON MICROFILTER	FILTER ELEMENT TYPE	PART NO
	Filter Cartridge F007M	223182
	Filter Cartridge F010M	223183

0.1 MICRON FINEFILTER	FILTER ELEMENT TYPE	PART NO
	Filter Cartridge F007S	223192
	Filter Cartridge F010S	223193

0.1 MICRON A ACTIVATED CARBON	FILTER ELEMENT TYPE	PART NO
	Filter Cartridge F007A	223212
	Filter Cartridge F010A	223213

CKL-PP SEPARATOR	FILTER ELEMENT TYPE	PART NO
	Filter Cartridge F007-CKL-PP	CC1189457
	Filter Cartridge F010-CKL-PP	CC1189458

# CHB-AIR

## BREATHING AIR FILTER

### At a glance...



**Operating Pressure**  
16 bar



**Flow Rate**  
1.3 - 13 m<sup>3</sup>/min



**Operating Temp. Range**  
1.5 - 45°C



**Pipe Size**  
1/2 - 1/2"



### Applications

- Breathing air

CHB-AIR point of use filter set has been specifically developed for high efficient preparation of top quality breathing air. On request CHB-AIR filter set can be supplied with wall mounting brackets, pressure regulator and quick couplings.

### WARNING!

Breathing air filter set CHB-AIR is not declared as CO<sub>2</sub> and CO removal filter. Despite that CHB-AIR comprises filter element which can reduce CO content.






TYPE	PART NO	PIPE SIZE	FLOW RATE AT 7 BAR(G), 20 °C		DIMENSIONS				WEIGHT	FILTER ELEMENT TYPE
			[inch]	[m <sup>3</sup> /min]	[cfm]	A [mm]	B [mm]	C [mm]		
CHB-AIR 76	<b>CC1189704</b>	1/2"	1.3	46	187	88	20	60	1.41	F007 M/H2/A2
CHB-AIR 106	<b>CC1189705</b>	3/4"	2	70	257	88	20	80	1.8	F010 M/H2/A2
CHB-AIR 186	<b>CC1189706</b>	1"	3.3	116	263	125	32	100	4.71	F018 M/H2/A2
CHB-AIR 306	<b>CC1189707</b>	1"	5.58	197	363	125	32	120	6.6	F030 M/H2/A2
CHB-AIR 476	<b>CC1189708</b>	1 1/2"	8.5	300	461	125	32	140	8.4	F047 M/H2/A2
CHB-AIR 706	<b>CC1189709</b>	1 1/2"	13	459	640	125	32	160	11.7	F070 M/H2/A2

CORRECTION FACTORS															
OPERATING PRESSURE [bar]	2	3	4	5	6	7	8	9	10	11	12	13	14	15	16
OPERATING PRESSURE [psi]	29	44	58	72	87	100	115	130	145	160	174	189	203	218	232
CORRECTION FACTOR	0,38	0,50	0,63	0,75	0,88	1	1,13	1,25	1,38	1,50	1,63	1,75	1,88	2,00	2,13

Prices are for complete set.  
 - Set includes 3 filter housings, 3 filter elements, 2 AOK16B condensate drains, 1 MCD drain and 1 PDI 16 differential pressure indicator.

FM	FILTER ELEMENT TYPE	PART NO
	Filter Cartridge F007M	<b>223182</b>
	Filter Cartridge F010M	<b>223183</b>
	Filter Cartridge F018M	<b>223184</b>
	Filter Cartridge F030M	<b>223185</b>
	Filter Cartridge F047M	<b>223186</b>
	Filter Cartridge F070M	<b>223187</b>

FH <sup>2</sup>	FILTER ELEMENT TYPE	PART NO
	Filter Cartridge F007H2	<b>CC1189441</b>
	Filter Cartridge F010H2	<b>CC1189442</b>
	Filter Cartridge F018H2	<b>CC1189443</b>
	Filter Cartridge F030H2	<b>CC1189454</b>
	Filter Cartridge F047H2	<b>CC1189455</b>
	Filter Cartridge F070H2	<b>CC1189456</b>

FA <sup>2</sup>	FILTER ELEMENT TYPE	PART NO
	Filter Cartridge F007A2	<b>CC1189354</b>
	Filter Cartridge F010A2	<b>CC1189434</b>
	Filter Cartridge F018A2	<b>CC1189435</b>
	Filter Cartridge F030A2	<b>CC1189437</b>
	Filter Cartridge F047A2	<b>CC1189438</b>
	Filter Cartridge F070A2	<b>CC1189439</b>

# CHB-AIR PLUS BREATHING AIR FILTER

### At a glance...



**Operating Pressure**  
16 bar



**Flow Rate**  
1.3 - 13 m<sup>3</sup>/min



**Operating Temp. Range**  
1.5 - 45°C



**Pipe Size**  
1/2"

### Applications

- Breathing air

CHB-AIR PLUS system has been specifically designed for applications where high quality breathing air and monitoring of breathing air supply are needed. CHB-AIR PLUS is a combination of our CHB-AIR PLUS 0106 breathing air filter set combined with gas concentration analysers, fitted with pressure regulator and quick couplings, all packed in a compact and robust casing.

Gas concentration analysers constantly monitor CO, CO<sub>2</sub> and O<sub>2</sub> concentrations and trigger an alarm if concentrations exceed the EN12021 and BS4275:1997 standard compliant values. In this way CHB-AIR PLUS can safely provide high quality breathing air for up to 5 people<sup>(1)</sup>.

Small dimensions and low weight enable the use of CHB-AIR PLUS in many applications as it can be transported and set up with ease.

### Advantages

- High quality breathing air for up to 5 people
- Air quality monitoring (EN 12021, BS 4275:1997)
- Compact & light weight





TYPE	PART NO	PIPE SIZE	FLOW RATE AT 7 BAR(G), 20 °C			DIMENSIONS			WEIGHT	FILTER ELEMENT TYPE
			[inch]	[m <sup>3</sup> /min]	[cfm]	A [mm]	B [mm]	C [mm]		
CHB-AIR PLUS	CC1189710	1/2"	2	71	508	460	160	12		

CORRECTION FACTORS															
OPERATING PRESSURE [bar]	2	3	4	5	6	7	8	9	10	11	12	13	14	15	16
OPERATING PRESSURE [psi]	29	44	58	72	87	100	115	130	145	160	174	189	203	218	232
CORRECTION FACTOR	0,38	0,50	0,63	0,75	0,88	1	1,13	1,25	1,38	1,50	1,63	1,75	1,88	2,00	2,13

Prices are for complete set.

FM	FILTER ELEMENT TYPE	PART NO
	Filter Cartridge F007M	223182

FH <sup>2</sup>	FILTER ELEMENT TYPE	PART NO
	Filter Cartridge F007H2	CC1189441

FA <sup>2</sup>	FILTER ELEMENT TYPE	PART NO
	Filter Cartridge F007A2	CC1189354

# CH-AIRWATT SERIES HEAT RECOVERY UNITS

## At a glance...



**Operating Pressure**  
1 - 16 bar



**Flow Rate**  
1.3 - 13 m<sup>3</sup>/min



**Operating Temp. Range**  
5 - 120°C



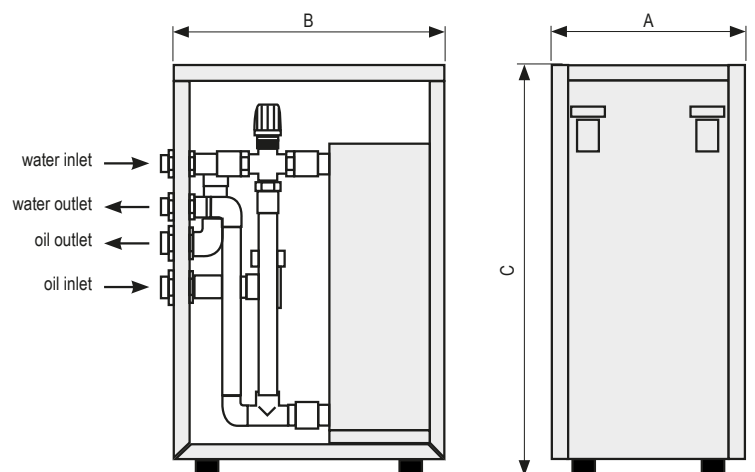
**Ambient Air Temp. Range**  
5 - 45°C

## Applications

- Heat recovery in oil lubricated rotary screw compressors

External heat recovery unit - CH-AIRWATT is designed to efficiently exploit the waste heat, generated during compression of air in rotary screw compressors.

Sometimes this represents more than 70% of energy consumed by the rotary screw compressor for the operation. This heat can then be used to heat domestic water or for heating, at almost no additional costs. This does not only help save money, but is also environmentally friendly. Unit has two separate piping systems with counter flow. Energy exchange from compressor to sanitary water occurs in plate heat exchanger, where compressor oil and sanitary water meets. Unit is controlled by thermostatic valve, which prevents compressor system getting to cold and damaging compressor.



OPERATING PRESSURE (OIL)	1 - 16 bar
MAXIMUM WATER PRESSURE	10 bar
OPERATING TEMPERATURE	5°C - 120°C
MAX. OUTLET WATER TEMPERATURE	70°C
PRESSURE DROP (OIL)	~ 100 mbar
AMBIENT TEMPERATURE	5°C - 45°C
WATER TEMPERATURE INDICATOR	Analog mechanical

TYPE	PART NO	MOTOR POWER [kW]	HEAT CAPACITY [kW]	OIL CONNECTION [G]	WATER CONNECTION [G]	DIMENSIONS			WEIGHT [kg]
						A [mm]	B [mm]	C [mm]	
CH-AIRWATT 22	CC1189573	15 - 22	12 - 17.6	1 1/4"	1"	360	500	760	33
CH-AIRWATT 37	CC1189574	26 - 37	20.8 - 29.6	1 1/4"	1"	360	500	760	35
CH-AIRWATT 75	CC1189575	45 - 75	36 - 60	1 1/4"	1"	360	500	760	42
CH-AIRWATT 100	CC1189576	90 - 132	72 - 100	2"	2"	450	600	860	58

# VERTICAL AIR RECEIVERS

## At a glance...



### Operating Pressure

11 - 15 bar



### Capacity

270 - 3000l

Air receivers are an important part of the compressed air system, evening out peaks and troughs in air demand, minimising pulsations from piston compressors and protecting your air compressor from over frequent load/unload or start stop cycles.

VERTICAL TANKS <sup>1)</sup>	Ø X H [mm]	WEIGHT [kg]	IN / OUT	MAXIMUM PRESSURE [bar]	REG.	PACKING	CODE
TANK 270 L	490 x 1,664	70	1" / 1"	11	CE 87 / 404	+ 2 %	<b>220662K</b>
TANK 500 L	600 x 2,055	125	1" / 1"	11	CE 87 / 404	+ 2 %	<b>220663K</b>
TANK 500 L 15 BAR	600 x 2,055	145	1" / 1"	15	CE 87 / 404	+ 2 %	<b>220749K</b>
TANK 720 L	750 x 2,030	195	1" / 1"	11	CE 87 / 404	+ 2 %	<b>220713K</b>
TANK 1000 L	800 x 2,335	270	2" / 2"	12	CE 97 / 23	+ 1.5 %	<b>220664K</b>
TANK 2000 L	1,100 x 2,485	360	2" / 2"	12	CE 97 / 23	+ 1.5 %	<b>220665CK</b>
TANK 3000 L	1,200 x 2,980	530	2" / 2"	12	CE 97 / 23	+ 1.5 %	<b>220668CK</b>

<sup>1)</sup> Including paint, support legs, pressure gauge, safety valve and inlet and outlet nozzles.

NOTE: Further receiver types available on request.

# CONDENSATE DRAINS

## IED SERIES ELECTRONIC CONDENSATE DRAINS



TECHNICAL DATA	IED	
VOLTAGE	230 VAC	115 VAC
FREQUENCY	50-60 Hz	50-60 Hz
INTERNAL FUSE	5 x 20 1A T	
POWER	10 VA	
OPERATING PRESSURE RANGE	0-16 bar [0-232 psi]	
DRAIN CAPACITY [AT 7 bar/101 PSI]	8 l/h at 7 bar [0,005 cfm at 101 psi]	
OPERATING TEMPERATURE RANGE	1.5-65 °C [35-149°F]	
INLET CONNECTION	G 1/2" parallel thread	
PROTECTION CLASS	IP54	
MASS [kg]	0.3	
OPERATING TEMPERATURE RANGE	1.5 to 65°C	
DIMENSIONS [L x B x H]	61 x 60 x 161 mm	
SERVICE NETWORK CONNECTION	-	-
ALARM OUTPUT	-	-
PART NUMBER	CC1182025	

## EMD SERIES ELECTRONIC CONDENSATE DRAINS



TECHNICAL DATA	EMD12 230 V
SERVICE NETWORK CONNECTION	-
ALARM OUTPUT	-
VOLTAGE	230 VAC, 50-60 Hz
INTERNAL FUSE	5 x 20 1A T
POWER	10 VA
OPERATING PRESS. RANGE	0-16 bar [0-232 psi]
DRAIN CAPACITY [AT 7 bar/101 PSI]	12 l/h [0.007cfm]
OPERATING TEMP. RANGE	1.5-65°C [35-149°F]
INLET CONNECTION	G 1/2"
OUTLET CONNECTION	Push connection for tube ø8
PROTECTION CLASS	IP54
MASS [kg]	0.55
DIMENSIONS A x B x C [mm]	133 x 76 x 147
PART NUMBER	CC1112242

## ECD-B SERIES ELECTRONIC CONDENSATE DRAINS



TECHNICAL DATA		ECD 15B	ECD 40B	ECD 90B	ECD 150B
VOLTAGE	115 VAC	115 V ± 10 %	115 V ± 10 %	115 V ± 10 %	115 V ± 10 %
	230 VAC	230 V ± 10 %	230 V ± 10 %	230 V ± 10 %	230 V ± 10 %
POWER	115 VAC	24 VA	24 VA	24 VA	24 VA
	230 VAC	24 VA	24 VA	24 VA	24 VA
FREQUENCY	50-60 Hz				
OPERATING PRESSURE	0-16 bar (0 - 232 psi)				
DRAIN CAPACITY [AT 7 bar/101 PSI]	15 l/h	40 l/h	90 l/h	150 l/h	
OPERATING TEMPERATURE RANGE	1.5 - 65 °C (35-149 °F)				
INLET CONNECTION	R 1/2"	R 1/2"	R 1/2"	R 1/2"	
OUTLET CONNECTION	R 1/8"	R 1/8"	R 1/8"	R 1/8"	
POWER INTERFACE	3 x 0.75 mm <sup>2</sup>	3 x 0.75 mm <sup>2</sup>	3 x 0.75 mm <sup>2</sup>	3 x 0.75 mm <sup>2</sup>	
PROTECTION CLASS	IP54	IP54	IP54	IP54	
MASS [kg]	0.9	0.9	1.05	1.15	
DIMENSIONS A x B x C [mm]	120 x 82 x 125	120 x 82 x 125	120 x 82 x 135	120 x 82 x 150	
PART NUMBER	CC1150763	CC1164401	CC1183827	CC1183828	



## SAC 160 SERIES TIME CONTROLLED CONDENSATE DRAINS



TECHNICAL DATA	SAC 160		SAC 160 cr	
	115V	230V	115V	230V
SUPPLY VOLTAGE	115V	230V	115V	230V
OPERATING TEMP. RANGE	1.5 - 65 °C [35-149 °F]		1.5 - 65 °C [35-149 °F]	
OPERATING PRESSURE	16 bar [232 psi]		16 bar [232 psi]	
PROTECTION CLASS	IP65		IP65	
COIL POWER	18VA (holding), 36 VA (inrush)		18VA (holding), 36 VA (inrush)	
MASS [cable + valve]	0.35 kg		0.35 kg	
TIME ON	0.5 s - 10 s		0.5 s - 10 s	
TIME OFF	0.5 min - 45 min		0.5 min - 45 min	
DRAIN CAPACITY [AT 7 bar]	95 l/h		95 l/h	
FLOW RATE Kvs	2.4 l/min		3.4 l/min	
INLET CONNECTION	R 1/2"		R 1/2"	
OUTLET CONNECTION	R 1/4"		R 1/4"	
DIMENSIONS L x B x H [mm]	77 x 79 x 93	87.5 x 90.5 x 123	77 x 79 x 93	87.5 x 90.5 x 123
MEDIUM	Air, water, oil		Agressive fluids	
OPTION STRAINER	Yes		No	
PART NUMBER	CC1032411		CC1183829	

## SAC 120 AUTOMATED CONDENSATE DRAINS



TECHNICAL DATA	
OPERATING TEMP. RANGE	1.5 - 65 °C [35-149 °F]
OPERATING PRESSURE	20 bar [290 psi]
MASS	0.6 kg
DISCHARGE CAPACITY [AT 7 bar/101 PSI]	167 l/h
INLET CONNECTION	G 1/2" (NPT option)
OUTLET CONNECTION	G 1/2" (NPT option)
DIMENSIONS A x B x C	135 x 110 x 130 mm
MEDIUM	Condensate (air, water, oil)
PART NUMBER	222394

### Recommendations

Install ball valve between pressure vessel and inlet connection. Install strainer element between pressure vessel and inlet connection. Install nipple with venting tube to avoid generation of air bubbles. Nipple is screwed on inlet connection.



## SAC 70 AUTOMATED CONDENSATE DRAIN



TECHNICAL DATA	
OPERATING TEMP. RANGE	1.5 - 65 °C [35-149 °F]
OPERATING PRESSURE	0 - 16 bar [0 - 232 psi]
MASS	0.04 kg
CONNECTION	G 1/2"
OUTLET CONNECTION	ø8
DIMENSIONS H x D	90 x ø38.5 mm
MEDIUM	Condensate (air, water, oil)
PART NUMBER	223120

## MCD MANUAL CONDENSATE DRAIN



TECHNICAL DATA		
OPERATING TEMP. RANGE	1.5 - 65 °C [35-149 °F]	
OPERATING PRESSURE	0-20 bar [290 psi]	
MASS	0.06 kg	
CONNECTION	G 1/2"	
DIMENSIONS	H	38.2 mm
	E	24.0 mm
MEDIUM	Condensate [air, water, oil]	
MATERIAL	Brass	
PART NUMBER	CC1183830	



# CHWOSM SERIES

## WATER - OIL SEPARATORS

		TECHNICAL DATA					
OPERATING TEMPERATURE		1.5 - 45 °C [max 65 °C] <sup>1)</sup> ; 35 - 113 °F [max. 149 °F] <sup>1)</sup>					
OPERATING MEDIA		Condensate (air, water, oil); Non aggressive; Not suitable for emulsion					
RESIDUAL OIL CONTENT		< 20ppm					
SERVICE INTERVAL		When first of following parametres appears: - 4000 operating hours of compressor <sup>2)</sup> - 12 months regardless of compressor operating hours - when all white polypropylene media becomes yellow					
		COLD CLIMATE ZONE 15°C 60% RH	MILD CLIMATE ZONE 25°C 60% RH	HOT CLIMATE ZONE 40°C 100% RH	DIMENSIONS [mm]		PART NO
					H	φ	
CHWOSm1	MAX OIL ADSORPTION [g]	740	650	370	483	106	CC1148194
	MAX FAD [Nm <sup>3</sup> /min]/[scfm]	1.23 / 43.05	1.08 / 37.8	0.62 / 21.9			
	MAX CONDENSATE FLOW [l/h]	0.57	0.90	1.91			
CHWOSm2	MAX OIL ADSORPTION [g]	1520	1340	770	816	106	CC1148195
	MAX FAD [Nm <sup>3</sup> /min]/[scfm]	2.54 / 88.9	2.23 / 78.05	1.28 / 45.2			
	MAX CONDENSATE FLOW [l/h]	1.19	1.87	3.96			

<sup>1)</sup> Max. operating temperature is 65 °C, but when temperature is over 45 °C, performance may decrease.

<sup>2)</sup> At compressor oil carryover 2.5 mg/m3. Lower/higher oil carry over means proportionally longer/shorter lifetime (e.g. if oil carryover is 5 mg/m3 lifetime reduces to 2000 operating hours).





# CHWOS SERIES

## WATER - OIL SEPARATORS

	TECHNICAL DATA
OPERATING TEMPERATURE	1.5 - 45 °C [max 65 °C]; 35 - 113 °F [max. 149 °F]
OPERATING MEDIA	Condensate (air, water, oil); Non agresive; Not suitable for emulsion
RESIDUAL OIL CONTENT	< 10ppm
SERVICE INTERVAL	When first of following parametres appears: - 4000 operating hours of compressor - 12 months regardless of compressor operating hours - Outlet oil concentration reaches conc. determined with local directives



TECHNICAL DATA		COLD CLIMATE ZONE 15°C 60%RH	MILD CLIMATE ZONE 25°C 60%RH	HOT CLIMATE ZONE 40°C 100%RH	DIMENSIONS [mm]			PART NO
					A	B	C	
CHWOS4	MAX OIL ADSORPTION [kg]	2.89	2.43	1.23	416	243	411	CC1148196
	MAX FAD [Nm³/min]/[scfm]	4.82 / 170	4.04 / 142	2.05 / 72.3				
	MAX CONDENSATE FLOW [l/h]	2.3	3.4	6.3				
CHWOS8	MAX OIL ADSORPTION [kg]	6.01	5.04	2.55	730	343	680	CC1148197
	MAX FAD [Nm³/min]/[scfm]	10.0 / 353	8.4 / 296	4.25 / 150				
	MAX CONDENSATE FLOW [l/h]	4.7	7.1	13.1				
CHWOS20	MAX OIL ADSORPTION [kg]	14.64	12.28	6.22	820	366	940	CC1148198
	MAX FAD [Nm³/min]/[scfm]	24.4 / 861	20.5 / 723	10.37 / 366				
	MAX CONDENSATE FLOW [l/h]	11.4	17,2	32.0				
CHWOS35	MAX OIL ADSORPTION [kg]	25.4	21.31	10.79	960	386	1,137	CC1148199
	MAX FAD [Nm³/min]/[scfm]	42.3 / 1495	35.5 / 1254	17.99 / 635				
	MAX CONDENSATE FLOW [l/h]	19.8	29.8	55.6				

# CHNP SERIES NITROGEN GENERATORS

## At a glance...



**Operating Pressure**  
6 - 10 bar



**Ambient Air Temp. Range**  
up to 40°C



**Capacity**  
3 - 442.5 Nm<sup>3</sup>/h



**Operating Temp. Range**  
5 - 35°C



The CHNP nitrogen generators extract the available nitrogen in the ambient air from the other gases by applying the Pressure Swing Adsorption (PSA) technology.

During the PSA process compressed, cleaned ambient air is led to a molecular sieve bed, which allows the nitrogen to pass through as a product gas, but adsorbs other gases. The sieve releases the adsorbed gases to the atmosphere, when the outlet valve is closed and the bed pressure returns to ambient pressure.

Subsequently the bed will be purged with nitrogen before fresh compressed air will enter for a new production cycle. In order to guarantee a constant product flow NP nitrogen generators use two molecular sieve beds, which alternatively switch between the adsorption and the regeneration phase.

TYPE	PART NO	FLOW RATE AT 7 BAR(G), 20 °C		DIMENSIONS			WEIGHT
		[m <sup>3</sup> /min]	[cfm]	A [mm]	B [mm]	C [mm]	
CHNP 03	CC1182437	Variable / Depending on purity		635	530	1650	110
CHNP 05	CC1182024			635	530	1650	130
CHNP 10	CC1182307			685	530	1650	190
CHNP 15	CC1182438			795	545	1650	230
CHNP 20	CC1182439			795	585	1920	295
CHNP 25	CC1182440			845	660	1975	410
CHNP 35	CC1182441			1040	780	2005	585
CHNP 50	CC1182442			1040	795	2250	740
CHNP 65	CC1182443			1150	795	2335	835
CHNP 100	CC1182444			1425	945	2480	1,260
CHNP 150	CC1182445			1650	1100	2550	1,590
CHNP 200	CC1182446			1805	1160	2615	1,905
CHNP 250	CC1182447			2020	1190	2780	2,430
CHNP 300	CC1182448			2255	1280	2780	2,810
CHNP 400	CC1182449	2720	1470	2880	3,640		





# SERVICE & SPARE PARTS

- Standard & Extended Warranty
- Service schedule
- Spare part kits





## WARRANTY DURATION AND OPTIONS

### • Warranty overview by model - range

MODEL - RANGE	WARRANTY DURATION	EXTENDED WARRANTY AVAILABLE
FM 7- 75 series Screw Compressors	24 Months <sup>1)</sup>	✓
KA 2-7 Series Screw Compressors	24 Months <sup>1)</sup>	✗
KSB / KBV 15-22 Series Srew Compressors	24 Months <sup>1)</sup>	✓
KSA / KSV 11, 30-90 Series Screw Compressors	24 Months <sup>1)</sup>	✓
BroomWade Vane Compressors CMPV01-V04	24 Months <sup>1)</sup>	✗
BroomWade Portable Screw Compressors	12 Months	✗
BroomWade Piston Compressors (C-Series)	12 Months	✓
BroomWade Breathing Air Compressors	12 Months	✗
BroomWade Dental Compressors	12 Months	✗
BroomWade S Series Scroll Compressors	12 Months	✗
BroomWade Dryers (CHA-DRY, CHB DRY, CHX DRY, CT)	24 Months <sup>1)</sup>	✓
BroomWade Nitrogen Generators CHNP03-400	24 Months <sup>1)</sup>	✓
BroomWade Filters, Water Separators & Accessories	12 Months	✗
Replacement Spare Parts	12 Months	✗

<sup>1)</sup> - The complete machine will have a warranty period of as mentioned above from date of commissioning or an additional 6 months from date of despatch ex BroomWade which ever is the soonest.

**BroomWade recommends that only genuine BroomWade or approved parts be used, and that service be carried out by a authorised BroomWade trained service engineer.**

### • Replacement spare parts

The warranty period for replacement parts excluding air ends, motors and consumable spare parts shall be 12 months ex BroomWade The extent of this will be replacement part only.

BroomWade will not warrant adjacent components to the replacement part

Any defective spare part found prior to installation should be processed directly with the BroomWade parts department, not as a warranty claim.

### • Extended warranty

CODE	DESCRIPTION
CC1180791	Extended Warranty 5 years for screw compressors 7.5 - 22 kW
CC1180793	Extended Warranty for screw compressors 30 - 75 kW
CC1180791	Extended Warranty for dryers
CC1180793	Extended Warranty for nitrogen generators

BroomWade offer an Extended Warranty programme on selected models. Additional fees and terms & conditions apply.

Please refer to the terms and conditions of the Extended Warranty Programmes.

Extended warranty prices are nett each, no extra discount can be applied.

For more information please see document : "Standard Warranty / Extended Warranty Terms & Conditions"



## KA02 - KA5 SERVICE SCHEDULE

			DAILY <sup>2</sup>	EVERY 500 HOURS <sup>1</sup>	EVERY 2000 HOURS OR 12 MONTHS <sup>1</sup>	EVERY 4000 HOURS OR 12 MONTHS <sup>1</sup>	EVERY 8000 HOURS OR 24 MONTHS <sup>1</sup>	EVERY 12000 HOURS OR 72 MONTHS <sup>1</sup>	EVERY 16000 HOURS OR 72 MONTHS <sup>1</sup>
SERVICE A	Controller	Check fault indicator lights and alarms	•	•	•	•	•	•	•
	Condensate Drain and Strainer	Check autom. condensate discharger	•	•	•	•	•	•	•
	Air Tank	Discharge oil separator condensate	•	•	•	•	•	•	•
	Oil System	Check oil level	•	•	•	•	•	•	•
SERVICE C	Oil System	Check oil leaks		•	•	•	•	•	•
	General	Clean inside compressor		•	•	•	•	•	•
	Air Filter	Clean air filter		•	•	•	•	•	•
	Drive Belts	Check belt tension		•	•	•	•	•	•
	Electrical Wiring	Check connections and condition		•	•	•	•	•	•
SERVICE D	Oil Filter	Renew oil filter element			•	•	•	•	•
	Air Filter	Renew air filter element			•	•	•	•	•
	Separator Filter	Replace oil separator cartridges			•	•	•	•	•
	Oil System	Renew oil (ChampLUBE)			•	•	•	•	•
	Relief Valve	Check operation of pressure relief valve			•	•	•	•	•
	Aftercooler/Oil Cooler	Clean cooler externally			•	•	•	•	•
	Oil System	Clean oil return line			•	•	•	•	•
	Valves	Change safety valve			•	•	•	•	•
General	Clean recovery nozzle			•	•	•	•	•	
SERVICE E	Valves	Thermostatic valve KIT				•	•	•	•
	Valves	Non Return Valve				•	•	•	•
	Gaskets	Tank cap gasket				•	•	•	•
	Filters	Control cabinet filter replacement				•	•	•	•
ADDITIONAL	Drive Belts	Replace the belts and check drive pulleys, replace if worn out				•	•	•	•
	Inlet valve	Replace seal kits of inlet valve				•	•	•	•
	Valves	Suction valve KIT				•	•	•	•
	Valves	Minimum pressure valve KIT				•	•	•	•
	Oil Hoses	Replace oil hoses				•	•	•	•
	Drive Motor	Check and re-tighten main motor cables				•	•	•	•
	Air End	Replace shaft seal kit				•	•	•	•
Air End	Replace Air End								

Predictive - only when required

<sup>1</sup> Whichever occurs soonest

<sup>2</sup> Normally undertaken by end user through visual check

# Inspection of the pressure vessel in accordance with local guidelines

Where the compressor is part of an integrated unit, please refer to the separate dryer manual for any dryer related service tasks. Receiver certification beyond the initial period is the customers responsibility.

Please refer to the Operators handbook if there are specific local service requirements relevant to the territory you are in e.g. Oil and Filter change intervals which may be different to those shown above.

Service intervals will be shorter depending on the ambient operating conditions (heat, humidity, dirt etc.), effecting Lubricants, filters, separators etc.

## FM7 - FM22 SERVICE SCHEDULE

			DAILY <sup>2</sup>	WEEKLY <sup>2</sup>	EVERY 4000 HOURS OR 12 MONTHS <sup>1</sup>	EVERY 8000 HOURS OR 24 MONTHS <sup>1</sup>	EVERY 20000 HOURS OR 60 MONTHS <sup>1</sup>	EVERY 24000 HOURS OR 72 MONTHS <sup>1</sup>
SERVICE A	Controller	Note and record sump pressure	•	•	•	•	•	•
	Controller	Note and record discharge pressure	•	•	•	•	•	•
	Controller	Note and record discharge temperature	•	•	•	•	•	•
	Enclosure Filters	Check condition, clean if required	•	•	•	•	•	•
	Scavenge oil system	Check operation	•	•	•	•	•	•
SERVICE B	Controller	Check fault history		•	•	•	•	•
	Controller	Check for any service requirements		•	•	•	•	•
	Oil System	Check oil level and top up if required		•	•	•	•	•
	Aftercooler/Oil Cooler	Check condition, clean if required		•	•	•	•	•
SERVICE C	Oil Filter	Renew oil filter element			•	•	•	•
	Air Filter	Renew air filter element			•	•	•	•
	Oil System	Renew oil (ChampLUBE)			•	•	•	•
	Dryer Cooling Air Inlet Filter <sup>3</sup>	Renew cooling air inlet filter			•	•	•	•
	Control System	Check operation			•	•	•	•
	Blowdown System	Check operation			•	•	•	•
	Electrical Wiring	Check connections and condition			•	•	•	•
	Controller	Check connections and plugs			•	•	•	•
	Separator Filter	Renew separator filter			•	•	•	•
	Oil Scavenge System	Clean and check operation			•	•	•	•
	Relief Valve	Functionally test			•	•	•	•
	Drive Belts <sup>3</sup>	Check condition of belts and renew if required			•	•	•	•
	SERVICE D	Minimum Pressure Valve	Renew minimum pressure valve					•
Intake Valve		Overhaul intake valve				•	•	•
Emergency Stop Button		Test emergency stop button				•	•	•
VSD Drive/Starter		Check condition of contacts and renew if required				•	•	•
ADDITIONAL	Air End	Renew air end shaft seal						•
	Shaft Seal Oil Return Tube	Renew shaft seal oil return tube						•
	Oil Hoses	Check condition and renew if required					•	•
	Control Solenoids	Renew control solenoids					•	•
	Drive Belts	Renew drive belts					•	•
	Drive Motor Bearings	Renew drive motor bearings						•
	Drive Motor AVM's	Check drive motor Anti Vibration Mounts						•
	Air End Discharge Temperature Sensor	Renew temperature sensor						•
	Oil Bypass Element	Renew oil bypass element						•
	Air End AVM's	Check air end Anti Vibration Mounts						•
	Air End	Renew Air End						

<sup>1</sup> Whichever occurs soonest

<sup>2</sup> Normally undertaken by end user through visual check

<sup>3</sup> If applicable

# Inspection of the pressure vessel in accordance with local guidelines

Where the compressor is part of an integrated unit, please refer to the separate dryer manual for any dryer related service tasks. Receiver certification beyond the initial period is the customers responsibility.

Please refer to the Operators handbook if there are specific local service requirements relevant to the territory you are in e.g. Oil and Filter change intervals which may be different to those shown above.

Service intervals will be shorter depending on the ambient operating conditions (heat, humidity, dirt etc.), effecting Lubricants, filters, separators etc.

## FM 30 - 75 SERVICE SCHEDULE

			DAILY <sup>2</sup>	WEEKLY <sup>2</sup>	EVERY 4000 HOURS OR 12 MONTHS <sup>1</sup>	EVERY 8000 HOURS OR 24 MONTHS <sup>1</sup>	EVERY 20000 HOURS OR 60 MONTHS <sup>1</sup>	EVERY 24000 HOURS OR 72 MONTHS <sup>1</sup>
SERVICE A	Controller	Note and record sump pressure	•	•	•	•	•	•
	Controller	Note and record discharge pressure	•	•	•	•	•	•
	Controller	Note and record discharge temperature	•	•	•	•	•	•
	Enclosure Filters	Check condition, clean if required	•	•	•	•	•	•
	Scavenge oil system	Check operation	•	•	•	•	•	•
SERVICE B	Controller	Check fault history		•	•	•	•	•
	Controller	Check for any service requirements		•	•	•	•	•
	Oil System	Check oil level and top up if required		•	•	•	•	•
	Aftercooler/Oil Cooler	Check condition, clean if required		•	•	•	•	•
SERVICE C	Oil Filter	Renew oil filter element			•	•	•	•
	Air Filter	Renew air filter element			•	•	•	•
	Oil System	Renew oil (Mineral or Foodgrade)			•	•	•	•
	Oil System <sup>5</sup>	Renew oil (Synthetic) AEON9000				•	•	•
	Dryer Cooling Air Inlet Filter <sup>3</sup>	Renew cooling air inlet filter			•	•	•	•
	Control System	Check operation			•	•	•	•
	Blowdown System	Check operation			•	•	•	•
	Electrical Wiring	Check connections and condition			•	•	•	•
	Controller	Check connections and plugs			•	•	•	•
	Inlet Water Strainer <sup>4</sup>	Check condition, clean if required			•	•	•	•
	Separator Filter	Renew separator filter			•	•	•	•
	Pipe work	Replace Victaulic Couplings			•	•	•	•
	Oil Scavenge System	Clean and check operation			•	•	•	•
	Relief Valve	Functionally test			•	•	•	•
SERVICE D	Oil Scavenge System	Renew oil scavenge tubing				•		•
	Minimum Pressure Valve	Renew minimum pressure valve				•		•
	Intake Valve	Overhaul intake valve				•		•
	Emergency Stop Button	Test emergency stop button				•		•
	Motor Drive Coupling Insert	Check condition and renew if required				•		•
	VSD Drive/Starter	Check condition of contacts and renew if required				•		•
	Air End	Renew air end shaft seal						•
ADDITIONAL	Shaft Seal Oil Return Tube	Renew shaft seal oil return tube						•
	Oil Hoses	Check condition and renew if required					•	•
	Control Solenoids	Renew control solenoids					•	•
	Drive Belts <sup>3</sup>	Renew drive belts					•	•
	Drive Motor Bearings	Renew drive motor bearings						•
	Drive Motor AVM's	Check drive motor Anti Vibration Mounts						•
	Air End Discharge Temperature Sensor	Renew temperature sensor						•
	Oil Bypass Element	Renew oil bypass element						•
	Air End AVM's	Check air end Anti Vibration Mounts						•
	Air End	Renew Air End						

Predictive - only when required

<sup>1</sup> Whichever occurs soonest

<sup>2</sup> Normally undertaken by end user through visual check

<sup>3</sup> If applicable

# Inspection of the pressure vessel in accordance with local guidelines

Where the compressor is part of an integrated unit, please refer to the separate dryer manual for any dryer related service tasks. Receiver certification beyond the initial period is the customers responsibility.

Please refer to the Operators handbook if there are specific local service requirements relevant to the territory you are in e.g. Oil and Filter change intervals which may be different to those shown above.

Service intervals could be shorter depending on the ambient operating conditions (heat, humidity, dirt etc.), effecting Lubricants, filters, separators etc. Service intervals could be shorter depending on the ambient operating conditions (heat, humidity, dirt etc.), effecting Lubricants, filters, separators etc.

## VANE CMPV01-04 KW SERVICE SCHEDULE

	DAILY <sup>2</sup>	WEEKLY <sup>2</sup>	EVERY 2000 HOURS OR 12 MONTHS <sup>1</sup>	EVERY 4000 HOURS	EVERY 24000 HOURS
SERVICE A	Site-Adequate ventilation	•	•	•	•
	Site-Ambient temperature within limit	•	•	•	•
	Site-dust free ambient	•	•	•	•
	Check oil level at filler plug/sight glass	•	•	•	•
SERVICE B	Check for air leaks		•	•	•
	Check for oil leaks		•	•	•
	Check air intake filter/clean if necessary		•	•	•
	Check oil temperature		•	•	•
	Check RSU temperature		•	•	•
	Clean any external dirt from compressor		•	•	•
	Clean any external dirt from motor		•	•	•
SERVICE D	Change Separator cartridge			•	•
	Change 2000 hour oil			•	•
	Change air intake filter			•	•
	Check/Torque electrical connections			•	•
	Check power on load			•	•
	Check power off load			•	•
	Check servo pressure Off load			•	•
	Check motor gland/cables secure			•	•
	Check motor for damage			•	•
	Check motor / starter for loose connections			•	•
	Check motor cables and earth			•	•
	Check motor for vibration			•	•
	Check oil seal for leakage			•	•
	EXTRA	Grease motor bearings			•
Check starter contactors				•	•
OVERHAUL SERVICE	Change unloader valve seals				•
	Change MPV seals				•
	Change vacuum valve seals				•
	Change thermal motor				•
	Change drive media/key				•
	Change oil seal				•
	Change pressure gauge				•
	Change motor bearings				•
	Full Air End Inspection (internal)				•
	Clean servo filter				•
	Check correct drive rotation				•
	Check motor insulation resistance				•

<sup>1</sup> Whichever occurs soonest

<sup>2</sup> Normally undertaken by end user through visual check

# Inspection of the pressure vessel in accordance with local guidelines

Please refer to the Operators handbook if there are specific local service requirements relevant to the territory you are in e.g. Oil and Filter change intervals which may be different to those shown above.

Service intervals could be shorter depending on the ambient operating conditions (heat, humidity, dirt etc.), effecting Lubricants, filters, separators etc. Service intervals could be shorter depending on the ambient operating conditions (heat, humidity, dirt etc.), effecting Lubricants, filters, separators etc.

## SCROLL S04 & S07D UNITS SERVICE SCHEDULE

		DAILY <sup>2</sup>	EVERY 500 HOURS OR 2 MONTHS <sup>1</sup>	EVERY 2000 HOURS OR 6 MONTHS <sup>1</sup>	EVERY 5000 HOURS OR 12 MONTHS <sup>1</sup> 10 Bar	EVERY 10000 HOURS OR 24 MONTHS <sup>1</sup> 8 Bar		
Complete Scroll Air End	Inspect for excessive noise and vibration	•						
Complete Scroll	Check for air Leaks	•						
Intake Air Filter	Clean and inspect		•					
V-Belts	Inspect and adjust V-Belts		•					
Intake Air Filter	Replace intake air filter			•	•	•		
Cooling	Inspect and clean cooler			•	•	•		
Sirocco Fan	Clean & inspect			•	•	•		
Airend Fin	Clean & inspect				•	•		
Scroll Bearings	Re-grease the bearing				•	•		
Tip Seals & Face Seals	Replace the seals				•	•		

<sup>1</sup> Maintenance time intervals are based on operating hours or calendar date, whichever occurs first.  
If the compressor is operating at full pressure and is constantly running, reduce the service intervals by 25%

<sup>2</sup> Performed by the end user

# Inspection of the pressure vessel in accordance with local guidelines

## SCROLL S06, S08, S11D, S15D UNITS SERVICE SCHEDULE

		DAILY <sup>2</sup>	EVERY 500 HOURS OR 2 MONTHS <sup>1</sup>	EVERY 2000 HOURS OR 12 MONTHS <sup>1</sup>	EVERY 5000 HOURS OR 24 MONTHS <sup>1</sup> 10 Bar	EVERY 10000 HOURS OR 48 MONTHS <sup>1</sup>	EVERY 20000 HOURS OR 8 YEARS <sup>1</sup> 8 Bar	EVERY 15000 HOURS OR 6 YEARS <sup>1</sup> 10 Bar
Complete Scroll	Inspect for excessive noise and vibration	•						
Complete Scroll	Check for air leaks	•						
Intake Air Filter	Clean and inspect		•					
V-Beltss	Inspect and adjust V-Belts		•					
Intake Air Filter	Replace intake air filter			•	•	•		
Cooling	Inspect and clean cooler			•	•	•		
Cooling Fan & Scroll Fin	Clean & inspect			•	•	•		
Scroll Bearings	Re-grease the bearing				•	•		
Tip Seals & Face Seals	Replace the seals				•	•		
Brushes (7.5 Kw only)	Replace the Drum				•	•		
Scroll Airend	Replace the scroll airend						•	•

<sup>1</sup> Maintenance time intervals are based on operating hours or calendar date, whichever occurs first.  
If the compressor is operating at full pressure and is constantly running, reduce the service intervals by 25%  
For operating conditions where ambient temperature is higher than 77°F or 25°C the maintenance intervals are greatly reduced,  
please refer to the manual for more information

<sup>2</sup> Performed by the end user

# Inspection of the pressure vessel in accordance with local guidelines

## PORTABLES CMP SERIES SERVICE SCHEDULE

		EACH START UP	FIRST 20 HOURS OF OPERATION	EVERY 100 HOURS OR 6 MONTHS <sup>1</sup>	EVERY 300 HOURS OR 12 MONTHS <sup>1</sup>	EVERY 24 MONTHS <sup>1</sup>
Compressor	Check safety valve	•	•	•	•	•
Compressor	Check retaining bolts & nuts (adjust if necessary)		•	•	•	•
Compressor	Check & clean oil filter		•	•	•	•
Compressor	Check & clean air filter			•	•	•
Compressor	Clean oil cooler			•	•	•
Compressor	Check the 2 belts tension (adjust if necessary)			•	•	•
Compressor	Drain & replace compressor oil		•	•	•	•
Compressor	Replace separator cartridge				•	•
Compressor	Replace air filter				•	•
Compressor	Replace belts					•
Engine	Drain & replace engine oil		•	•	•	•
Engine	Replace engine oil filter			•	•	•
Engine	Replace engine oil filler gasket				•	•
Engine	Replace engine air filter				•	•
Engine	Replace engine fuel filter				•	•
Engine	Replace engine spark plugs				•	•

<sup>1</sup> Maintenance time intervals are based on operating hours or calendar date, whichever occurs first.

Recommended oils -

The engine oil (2 liter) is included in the service kits. BroomWade only recommends this oil.

The compressor oil that is recommended is SCUO2000-5GT. Please ask your distributor for further information.

Fuel:- Use automotive gasoline (unleaded)

## OIL LUBRICATED PISTON COMPRESSOR SERVICE SCHEDULE

C-Base, C-Line, C-Advanced, C-Pro, C-Engine series

	EVERY 50 HOURS	FEVERY 100 HOURS	WEEKLY	FULL MAINTENANCE/ SERVICE
Clean suction filter element	•	•		
Change oil in oil pump		•		
Drain condensate tank			•	•
Check oil level - top up if required			•	•
Replace filter element				•

## SILENT PISTON COMPRESSOR SERVICE SCHEDULE

CS3, CS4, CS6, CS10, CS15 range

	EVERY 100 HOURS	FEVERY 500 HOURS	WEEKLY	MONTHLY	YEARLY
Drain condensate tank			•	•	•
Drain condensate - pressure switch			•	•	•
Clean suction filter element			•	•	•
Check oil level - top up if required	•				
Change oil in oil pump		•			
Replace filter element					•

## C-SILENCED REFRIGERATION DRYER SERVICE SCHEDULE

	DAILY <sup>2</sup>	WEEKLY	EVERY 4 MONTHS	EVERY 12 MONTHS
Controller	•			
Controller	•			
Condensate drain		•	•	•
Fins			•	•
Electrical			•	•
Refrigerant				•
Drain				•
Filtration				•

## COMPRESSOR SERVICE KITS

SERVICE KITS OIL LUBRICATED SCREW COMPRESSORS							
		EVERY 2000 HOURS OR 12 MONTHS <sup>1</sup>	EVERY 4000 HOURS OR 12 MONTHS <sup>1</sup>	EVERY 8000 HOURS OR 24 MONTHS <sup>1</sup>	Overhaul kit Every 5 years or 20,000 hours	HOSE KITS EVERY 12,000 HOURS	
KA2-KA5	Fixed Speed	CC1089648	CC1089649	CC1089650		CC1093045	
FM7-11	Fixed Speed		CC1180671	CC1180677	CC1180682	CC11806681	
FM7-11	Regulated Speed		CC1180672	CC1180678	CC1180682	CC11806681	
FM15-22	Fixed Speed		CC1180685	CC1180689	CC1180695	CC1180694	
FM15-22 <sup>1</sup>	Regulated Speed		CC1180686	CC1180690	CC1180695	CC1180694	
KSA - KSV30			CC1121434	CC1121435	ZS1091974	CC1121436	
KSA - KSV 37-45			CC1121437	CC1121438	ZS1091974	CC1121439	
KSA 55 - 75	Fixed Speed		CC1154033	CC1154034	A11929174		
KSV 55 - 75	Regulated Speed		CC1154035	CC1154036	A11929174		

Only the following lubricants are allowed to be used to comply with BroomWade 5 Years Extended Warranty:

- Mineral lubricant ChampLUBE CC1180019 (5L) - CC1180020 (20L)

SERVICE KITS OIL LUBRICATED VANE COMPRESSORS			
		EVERY 2000 HOURS OR 12 MONTHS <sup>1</sup>	EVERY 24000 HOURS
CMPV01, CMPV02	Fixed Speed	C-AK0102	C-OK0102
CMPV04	Fixed Speed	C-AK04	C-OK04

Only the following lubricants are allowed to be used: Mineral lubricant ChampLUBE Vane Lubricant CC1180033 (1L)

<sup>1</sup> Maintenance time intervals are based on operating hours or calendar date, whichever occurs first.

BroomWade will not accept any responsibility for changes made to service kit numbers, prior to updating this document.

For belts, hoses, shaft seal kits and all other repair spare parts please consult the relevant parts lists

SERVICE KITS PORTABLE SCREW COMPRESSORS			
		AIR END KIT EVERY 300 HOURS OR 12 MONTHS <sup>1</sup>	ENGINE KIT EVERY 300 HOURS OR 12 MONTHS <sup>1</sup>
CMP-P10, CMP-P12, CMP-P18		CC1186378	CC1186379

Only the following lubricants are allowed to be used: Mineral lubricant SCUO2000-5GT

<sup>1</sup> Maintenance time intervals are based on operating hours or calendar date, whichever occurs first.

BroomWade will not accept any responsibility for changes made to service kit numbers, prior to updating this document.

For belts and all other repair spare parts please consult the relevant parts lists



## SERVICE KITS OIL FREE SCROLL COMPRESSORS

		S04, S06, S08	S07D, S11D, S15D
300SMB1445	Air Filter (4kW x 1, 6 & 8kW x 2)	x 1	x 2
300SMB6029	Tip seal kit 2 & 4kW	x 1	x 2
300SMB6022	Grease 80 grams	Refer to manual for quantities	
302SIA6003	Kit 6kW Bushing & spring	x 1	x 2
300SIA6003	Kit 6kW Service kit (includes tip seal, face seal & grease)	x 1	x 2
301SIA6003	Kit 7kW Service kit (includes tip seal, face seal & grease)	x 1	x 2
300SMB6031	Grease gun		

## SERVICE KITS PISTON COMPRESSORS

C-Base, C-Line, C-Advanced, C-Pro, C-Engine series

MODEL RANGES	GASKET KIT	VALVE PLATE KIT	INTAKE FILTER	NRV
CA3 ; CL3 ; CS3	CC55886980	CC91894881	CC55875132	CC55894513
CA4 ; CP4 ; CS4	CC92060037	CC97155576	CC55875132	CC55894513
CA5 ; CL5	CC55893648	CC55893622	CC55898936	CC55894521
CA6 ; CP6 ; CS6	CC97241376	CC97159594	CC55898936	CC55894521
CA10 ; CL10 ; CP10 ; CS10	CC55893655	CC55894133	CC55898936	CC55894521
CA15 ; CP15 ; CS15	CC55894224	CC55894141	CC55898936	CC55894521
CA28 ; CL28 ; CP28	CC97251615	CC91894881	CC55875140	CC97160634
CB-100-CM2 CB-24-CM2 CB-3-CF2 CB-50-CM2	CC55899108	CC55899090	CC55899132	CC97160634
CB-100-CM3 CB-24-WB3 CB-50-CM3 CB-50V-CM3	CC55899405	CC55899090	CC55899132	CC55904375
CB-100-CM25 CB-24-CM25 CB-50-CM25		CC55899090	CC55890079	CC97160634
CB6			CC55890087	

Only the following lubricants are allowed to be used

- SAE40 - Viscosity 100

## BROOMWADE CT3-220 REFRIGERATION DRYER SERVICE SCHEDULE

		DAILY <sup>2</sup>	WEEKLY	EVERY 4 MONTHS	EVERY 12 MONTHS
Controller	Check POWER ON indicator is lit	•			
Controller	Check control panel indicators	•			
Condensate drain	Check condensate drain		•	•	•
Fins	Clean condenser fins			•	•
Electrical	Check electrical absorption			•	•
Refrigerant	Check refrigerant leaks				•
Drain	Depressurise the dryer. Replace electronic drainer service unit				•
Filtration	Depressurise the dryer. Replace pre- and post-filter elements				•

## SERVICE PARTS CT DRYERS

KIT PART NUMBER		
CC2210BEK057	Service unit for electronic drainer	CT3-CT105
CC2210BEK058	Service unit for electronic drainer	CT130-CT220

See filter guide for the correct filter elements

## ADSORPTION AIR DRYERS BROOMWADE CHA-DRY SERVICE SCHEDULE

			DAILY?	EVERY 2000 HOURS OR 3 MONTHS <sup>†</sup>	EVERY 8000 HOURS OR 12 MONTHS <sup>†</sup>	EVERY 16000 HOURS OR 24 MONTHS <sup>†</sup>	EVERY 56000 HOURS OR 48 MONTHS <sup>†</sup>
	Dryer	Check POWER ON indicator is illuminated	•				
	Dryer	Check STATUS / FAULT indicators located on the controller.	•				
	Dryer	Check for air leaks	•				
	Dryer	Check the condition of electrical supply cables and conduits.		•	•	•	•
	Dryer	Check for cyclic operation.			•	•	•
	Filtration	Check Drain operation		•	•	•	•
A	Dryer	Replace active exhaust silencers Recommended Service A			†	†	†
B	Filtration	Replace the inlet and outlet air filters and service drains. Recommended Service B			†	†	†
D	Dryer	Replace valves Recommended Service C				†	†
E	Dryer	Replace the Desiccant. Recommended Service E					†

<sup>†</sup> Maintenance time intervals are based on operating hours or calendar date, whichever occurs first. • Performed by the operator † Essential maintenance - Service personnel only

## KITS FOR CHA-DRY 6 - 200

	KIT PART NUMBER		
A	CC1182876	1 year silencer replacement kit 06-36	2 x purge exhaust silencer
	CC1182877	1 year silencer replacement kit 75-105	2 x purge exhaust silencer
	CC1182878	1 year silencer replacement kit 150-200	2 x purge exhaust silencer
D	CC1182832	2 year replacement kit 06	4 x replacement control valves
	CC1182835	2 year replacement kit 12	2 x replacement non-return valves
	CC1182818	2 year replacement kit 24	4 x sealing O-ring
	CC1182820	2 year replacement kit 36	2 x nozzle
			2 x purge exhaust silencer
	CC1182821	2 year replacement kit 60	4 x replacement control valves
	CC1182822	2 year replacement kit 75	2 x replacement non-return valves
	CC1182823	2 year replacement kit 105	4 x sealing O-ring
			2 x nozzle
			2 x purge exhaust silencer
	CC1182854	2 year replacement kit 150	4 x replacement control valves
	CC1182855	2 year replacement kit 200	4 x replacement non-return valves
			4 x sealing O-ring
			2 x nozzle
			2 x purge exhaust silencer
E	CC1182857	KIT Service CHA-DRY 06/48	1 x 2 year replacement kit 06-36
		48 months replacement kit	2 x tower tubes including molecular sieve for A-DRY 06
	CC1182858	KIT Service CHA-DRY 12/48	1 x 2 year replacement kit 06-36
		48 months replacement kit	2 x tower tubes including molecular sieve for A-DRY 12
	CC1182859	KIT Service CHA-DRY 24/48	1 x 2 year replacement kit 06-36
		48 months replacement kit	2 x tower tubes including molecular sieve for A-DRY 24
	CC1182860	KIT Service CHA-DRY 36/48	1 x 2 year replacement kit 06-36
		48 months replacement kit	2 x tower tubes including molecular sieve for A-DRY 32
	CC1182861	KIT Service CHA-DRY 60/48	1 x 2 year replacement kit 60-105
		48 months replacement kit	2 x tower tubes including molecular sieve for A-DRY 60
	CC1182862	KIT Service CHA-DRY 75/48	1 x 2 year replacement kit 60-105
		48 months replacement kit	2 x tower tubes including molecular sieve for A-DRY 75
	CC1182863	KIT Service CHA-DRY 105/48	1 x 2 year replacement kit 60-105
		48 months replacement kit	2 x tower tubes including molecular sieve for A-DRY 105
	CC1182874	KIT Service CHA-DRY 150/48	1 x 2 year replacement kit 150-200
	48 months replacement kit	2 x tower tubes including molecular sieve for A-DRY 150	
CC1182875	KIT Service CHA-DRY 200/48	1 x 2 year replacement kit 150-200	
	48 months replacement kit	2 x tower tubes including molecular sieve for A-DRY 200	

## ADSORPTION AIR DRYERS BROOMWADE CHB-DRY SERVICE SCHEDULE

			DAILY <sup>2</sup>	EVERY 2000 HOURS OR 3 MONTHS <sup>1</sup>	EVERY 8000 HOURS OR 12 MONTHS <sup>1</sup>	EVERY 16000 HOURS OR 24 MONTHS <sup>1</sup>	EVERY 56000 HOURS OR 48 MONTHS <sup>1</sup>
	Dryer	Check POWER ON indicator is illuminated	•				
	Dryer	Check STATUS / FAULT indicators located on the controller.	•				
	Dryer	Check for air leaks	•				
	Dryer	Check the condition of electrical supply cables and conduits.		•	•	•	•
	Dryer	Check for cyclic operation			•	•	•
	Filtration	Check Drain operation		•	•	•	•
A	Dryer	Replace active exhaust silencers Recommended Service A			†	†	†
B	Filtration	Replace the inlet and outlet air filters and service drains. Recommended Service B			†	†	†
D	Dryer	Replace valves Recommended Service C				†	†
E	Dryer	Replace the Desiccant. Recommended Service E					†
	Dryer	Clean/Replace Strainers					†
	Dryer	Calibrate Dew-point sensor (optional)			†		

<sup>1</sup> Maintenance time intervals are based on operating hours or calendar date, whichever occurs first. • Performed by the operator † Essential maintenance - Service personnel only

## KITS FOR CHB-DRY 110 - 1000

	KIT PART NUMBER		
A	CC1182775	Silencer kit CHB-DRY 110-250	Silencer service kit for B-DRY 110/150/200/250
	CC1182776	Silencer kit CHB-DRY 300-600	Silencer service kit for B-DRY 300/400/600
	CC1182777	Silencer kit CHB-DRY 800-1000	Silencer service kit for B-DRY 800/1000
D	CC1182893	KIT SERVIS CHB-DRY 110-250/24	Control valves replacement components
		24 months replacement kit	
	CC1182894	KIT SERVIS CHB-DRY 300-600/24	Check valves replacement components
		24 months replacement kit	Silencer service kit
	CC1182895	KIT SERVIS CHB-DRY 800-1000/24	Check valves replacement components
		24 months replacement kit	Silencer service kit
E	CC1182746	KIT SERVIS CHB-DRY 110/48	Control valves replacement components
		48 months replacement kit	Check valves replacement components Silencer service kit
	CC1182747	KIT SERVIS CHB-DRY 150/48	Control valves replacement components
		48 months replacement kit	Check valves replacement components Silencer service kit
	CC1182748	KIT SERVIS CHB-DRY 200/48	Control valves replacement components
		48 months replacement kit	Check valves replacement components Silencer service kit
	CC1182749	KIT SERVIS CHB-DRY 250/48	Control valves replacement components
		48 months replacement kit	Check valves replacement components Silencer service kit
	CC1182750	KIT SERVIS CHB-DRY 300/48	Control valves replacement components
		48 months replacement kit	Check valves replacement components Silencer service kit
	CC1182751	KIT SERVIS CHB-DRY 400/48	Control valves replacement components
		48 months replacement kit	Check valves replacement components Silencer service kit
	CC1182752	KIT SERVIS CHB-DRY 600/48	Control valves replacement components
		48 months replacement kit	Check valves replacement components Silencer service kit
	CC1182753	KIT SERVIS CHB-DRY 800/48	Control valves replacement components
	48 months replacement kit	Check valves replacement components Silencer service kit	
CC1182774	KIT SERVIS CHB-DRY 1000/48	Control valves replacement components	
	48 months replacement kit	Check valves replacement components Silencer service kit	

## ADSORPTION AIR DRYERS BROOMWADE CHX-DRY SERVICE SCHEDULE

		DAILY	EVERY 2000 HOURS OR 3 MONTHS <sup>1)</sup>	EVERY 8000 HOURS OR 12 MONTHS <sup>1)</sup>	EVERY 16000 HOURS OR 24 MONTHS <sup>1)</sup>	EVERY 56000 HOURS OR 48 MONTHS <sup>1)</sup>
	Dryer	Check POWER ON indicator is illuminated	•			
	Dryer	Check STATUS / FAULT indicators located on the controller.	•			
	Dryer	Check for air leaks	•			
	Dryer	Check the condition of electrical supply cables and conduits.		•	•	•
	Dryer	Check for cyclic operation.			•	•
	Filtration	Check Drain operation		•	•	•
A	Dryer	Replace active exhaust silencers Recommended Service A			†	†
B	Filtration	Replace the inlet and outlet air filters and service drains. Recommended Service B			†	†
D	Dryer	Replace valves Recommended Service C				†
E	Dryer	Replace the Desiccant. Recommended Service E				†
	Dryer	Clean/Replace Strainers				†
	Dryer	Calibrate Dew-point sensor (optional)			†	

<sup>1)</sup> Maintenance time intervals are based on operating hours or calendar date, whichever occurs first. • Performed by the operator † Essential maintenance - Service personnel only

## KITS FOR CHX-DRY 350 - 1050

	KIT PART NUMBER		
A	CC1182891	Silencer CHX-DRY 300-1050	Silencer service X-DRY 300-1050
D	CC1182879	KIT Service CHX-DRY 300/24	Control and check valves replacement components
		24 months replacement kit	Silencer service kit
	CC1182880	KIT Service CHX-DRY 450/24	Control and check valves replacement components
		24 months replacement kit	Silencer service kit
	CC1182881	KIT Service CHX-DRY 600/24	Control and check valves replacement components
		24 months replacement kit	Silencer service kit
	CC1182882	KIT Service CHX-DRY 750/24	Control and check valves replacement components
		24 months replacement kit	Silencer service kit
E	CC1182883	KIT Service CHX-DRY 900/24	Control and check valves replacement components
		24 months replacement kit	Silencer service kit
	CC1182884	KIT Service CHX-DRY 1050/24	Control and check valves replacement components
		24 months replacement kit	Silencer service kit
	CC1182885	KIT Service CHX-DRY 300/48	Control and check valves replacement components
		48 months replacement kit	Silencer service kit Adsorbent
	CC1182886	KIT Service CHX-DRY 450/48	Control and check valves replacement components
		48 months replacement kit	Silencer service kit Adsorbent
E	CC1182887	KIT Service CHX-DRY 600/48	Control and check valves replacement components
		48 months replacement kit	Silencer service kit Adsorbent
	CC1182888	KIT Service CHX-DRY 750/48	Control and check valves replacement components
		48 months replacement kit	Silencer service kit Adsorbent
	CC1182889	KIT Service CHX-DRY 900/48	Control and check valves replacement components
		48 months replacement kit	Silencer service kit Adsorbent
E	CC1182890	KIT Service CHX-DRY 1050/48	Control and check valves replacement components
		48 months replacement kit	Silencer service kit Adsorbent

## KITS FOR CH-TAC ACTIVATED CARBON TOWERS

KIT PART NUMBER		
CH-TACm 6	CC1189474	Service Kit CH-TACm 6
CH-TACm 12	CC1189475	Service Kit CH-TACm 12
CH-TACm 23	CC1189476	Service Kit CH-TACm 23
CH-TACm 35	CC1189477	Service Kit CH-TACm 35
CH-TACm 56	CC1189478	Service Kit CH-TACm 56
CH-TACm 70	CC1189479	Service Kit CH-TACm 70
CH-TACm 105	CC1189480	Service Kit CH-TACm 105
CH-TAC 110	CC1189481	Service Kit CH-TAC 110
CH-TAC 150	CC1189482	Service Kit CH-TAC 150
CH-TAC 200	CC1189483	Service Kit CH-TAC 200
CH-TAC 250	CC1189484	Service Kit CH-TAC 250
CH-TAC 300	CC1189485	Service Kit CH-TAC 300
CH-TAC 400	CC1189486	Service Kit CH-TAC 400
CH-TAC 600	CC1189487	Service Kit CH-TAC 600
CH-TAC 800	CC1189488	Service Kit CH-TAC 800
CH-TAC 1000	CC1189489	Service Kit CH-TAC 1000
CH-TAC 1200	CC1189490	Service Kit CH-TAC 1200
CH-TAC 1500	CC1189491	Service Kit CH-TAC 1500
CH-TAC 2000	CC1189492	Service Kit CH-TAC 2000
CH-TAC 2500	CC1189493	Service Kit CH-TAC 2500
CH-TAC 3000	CC1189494	Service Kit CH-TAC 3000
CH-TAC 3750	CC1189495	Service Kit CH-TAC 3750
CH-TAC 5000	CC1189496	Service Kit CH-TAC 5000
CH-TAC 6500	CC1189497	Service Kit CH-TAC 6500

## FILTER GUIDE

FILTER TYPE	M <sup>3</sup> /MIN	SIZE	FILTER ID NO	FILTER ELEMENT	ELEMENT NO
<b>CERAMIC PRE-FILTERS 3 MICRON</b>					
F 005 P	1	3/8"	223051A	Filter Cartridge F005P	223171
F 007 P	1.3	1/2"	223052A	Filter Cartridge F007P	223172
F 010 P	2	3/4"	223053A	Filter Cartridge F010P	223173
F 018 P	3.3	1 "	223054A	Filter Cartridge F018P	223174
F 030 P	5.5	1 "	223055A	Filter Cartridge F030P	223175
F 047 P	8.5	1 1/2"	223056A	Filter Cartridge F047P	223176
F 070 P	13	1 1/2"	223057A	Filter Cartridge F070P	223177
F 094 P	16.6	2"	223058A	Filter Cartridge F094P	223178
F 150 P	25	2"	223059A	Filter Cartridge F150P	223179
F 200 P	36	3"	CC1182427	Filter Cartridge F200P	CC1183012
F 240 P	46	3"	223060A	Filter Cartridge F240P	223180
<b>COALESCENT FILTERS 0.1 MICRON</b>					
F 005 R	1	3/8"	CC1185088	Filter Cartridge F005R	CC1185073
F 007 R	1.3	1/2"	CC1185089	Filter Cartridge F007R	CC1185074
F 010 R	2	3/4"	CC1185090	Filter Cartridge F010R	CC1185075
F 018 R	3.3	1 "	CC1185091	Filter Cartridge F018R	CC1185076
F 030 R	5.5	1 "	CC1185092	Filter Cartridge F030R	CC1185077
F 047 R	8.5	1 1/2"	CC1185093	Filter Cartridge F047R	CC1185078
F 070 R	13	1 1/2"	CC1185094	Filter Cartridge F070R	CC1185079
F 094 R	16.6	2"	CC1185095	Filter Cartridge F094R	CC1185080
F 150 R	25	2"	CC1185096	Filter Cartridge F150R	CC1185081
F 200 R	36	3"	CC1185097	Filter Cartridge F200R	CC1185082
F 240 R	46	3"	CC1185098	Filter Cartridge F240R	CC1185083
<b>COALESCENT FILTERS 0.1 MICRON</b>					
F 005 M	1	3/8"	223061A	Filter Cartridge F005M	223181
F 007 M	1.3	1/2"	223062A	Filter Cartridge F007M	223182
F 010 M	2	3/4"	223063A	Filter Cartridge F010M	223183
F 018 M	3.3	1"	223065A	Filter Cartridge F018M	223184
F 030 M	5.5	1"	223066A	Filter Cartridge F030M	223185
F 047 M	8.5	1 1/2"	223067A	Filter Cartridge F047M	223186
F 070 M	13	1 1/2"	223068A	Filter Cartridge F070M	223187
F 094 M	16.6	2"	223069A	Filter Cartridge F094M	223188
F 150 M	25	2"	223081A	Filter Cartridge F150M	223189
F 200 M	36	3"	CC1182428	Filter Cartridge F200M	CC1183034
F 240 M	46	3"	223064A	Filter Cartridge F240M	223190
<b>COALESCENT FILTERS 0.01 MICRON</b>					
F 005 S	1	3/8"	223070A	Filter Cartridge F005S	223191
F 007 S	1.3	1/2"	223071A	Filter Cartridge F007S	223192
F 010 S	2	3/4"	223072A	Filter Cartridge F010S	223193
F 018 S	3.3	1"	223073A	Filter Cartridge F018S	223194
F 030 S	5.5	1"	223074A	Filter Cartridge F030S	223195
F 047 S	8.5	1 1/2"	223075A	Filter Cartridge F047S	223196
F 070 S	13	1 1/2"	223076A	Filter Cartridge F070S	223197
F 094 S	16.6	2"	223077A	Filter Cartridge F094S	223198
F 150 S	25	2"	223078A	Filter Cartridge F150S	223199
F 200 S	36	2 1/2"	CC1182429	Filter Cartridge F200S	CC1183035
F 240 S	46	3"	223079A	Filter Cartridge F240S	223200
<b>ACTIVATED CARBON FILTERS 0.005 MICRON</b>					
F 005 A	1	3/8"	223090A	Filter Cartridge F005A	223211
F 007 A	1.3	1/2"	223091A	Filter Cartridge F007A	223212
F 010 A	2	3/4"	223092A	Filter Cartridge F010A	223213
F 018 A	3.3	1"	223093A	Filter Cartridge F018A	223214
F 030 A	5.5	1"	223094A	Filter Cartridge F030A	223215
F 047 A	8.5	1 1/2"	223095A	Filter Cartridge F047A	223216
F 070 A	13	1 1/2"	223096A	Filter Cartridge F070A	223217
F 094 A	16.6	2"	223097A	Filter Cartridge F094A	223218
F 150 A	25	2"	223098A	Filter Cartridge F150A	223219
F 200 A	36	3"	CC1182430	Filter Cartridge F200A	CC1183036
F 240 A	46	3"	223099A	Filter Cartridge F240A	223220

FILTER ELEMENTS MUST BE REPLACED AT LEAST EVERY 12 MONTHS

## FILTER GUIDE

FILTER TYPE	M <sup>3</sup> /MIN	SIZE	FILTER ID NO	FILTER ELEMENT	ELEMENT NO
<b>CONDENSATION SEPARATING FILTERS</b>					
F 005 W	1	3/8"	CC1177720	Filter Cartridge F 005W	CC1188141
F 007 W	1.3	1/2"	CC1177721	Filter Cartridge F 007W	CC1188142
F 010 W	2	3/4"	223101A	Filter Cartridge F 010W	CC1183037
F 030 W	3.3	1"	223102A	Filter Cartridge F 030W	CC1183038
F 070 W	8.5	1 1/2"	223103A	Filter Cartridge F 070W	CC1183039
F 094 W	16.6	2"	CC1181853	Filter Cartridge F 094W	CC1183040
F 150 W	25	2"	223104A	Filter Cartridge F 150W	CC1183041
F 200 W	36	2 1/2"	CC1182432	Filter Cartridge F 200W	CC1183042
<b>CH-MDRY MEMBRANE FILTERS</b>					
CHM-DRY 3	0.05	1/4"	CC1189577	Membrane CHM-DRY 3	CC1189462
CHM-DRY 6	0.1	1/4"	CC1189578	Membrane CHM-DRY 6	CC1189463
CHM-DRY 9	0.15	1/4"	CC1189579	Membrane CHM-DRY 9	CC1189464
CHM-DRY 12	0.2	1/4"	CC1189580	Membrane CHM-DRY 12	CC1189465
CHM-DRY 18	0.3	1/2"	CC1189581	Membrane CHM-DRY 18	CC1189466
CHM-DRY 24	0.4	1/2"	CC1189582	Membrane CHM-DRY 24	CC1189467
CHM-DRY 32	0.6	1/2"	CC1189583	Membrane CHM-DRY 32	CC1189468
CHM-DRY 44	0.8	1/2"	CC1189584	Membrane CHM-DRY 44	CC1189469
CHM-DRY 63	1.05	1/2"	CC1189585	Membrane CHM-DRY 63	CC1189470
CHM-DRY 90	1.5	1/2"	CC1189586	Membrane CHM-DRY 90	CC1189471
CHM-DRY 123	2.05	1/2"	CC1189587	Membrane CHM-DRY 123	CC1189472
CHM-DRY 180	3	1/2"	CC1189588	Membrane CHM-DRY 180	CC1189473

<b>CHB-AIR BREATHING AIR FILTRATION SYSTEMS</b>						
FILTER TYPE	ELEMENT TYPE (FM)	ELEMENT NO	ELEMENT TYPE (F-H2M)	ELEMENT NO	ELEMENT TYPE (F-A2)	ELEMENT NO
CHB-AIR 76	Filter Cartridge F007M	223182	Filter Cartridge F007H2	CC1189441	Filter Cartridge F007A2	CC1189354
CHB-AIR 106	Filter Cartridge F010M	223183	Filter Cartridge F010H2	CC1189442	Filter Cartridge F010A2	CC1189434
CHB-AIR 186	Filter Cartridge F018M	223184	Filter Cartridge F018H2	CC1189443	Filter Cartridge F018A2	CC1189435
CHB-AIR 306	Filter Cartridge F030M	223185	Filter Cartridge F030H2	CC1189454	Filter Cartridge F030A2	CC1189437
CHB-AIR 476	Filter Cartridge F047M	223186	Filter Cartridge F047H2	CC1189455	Filter Cartridge F047A2	CC1189438
CHB-AIR 706	Filter Cartridge F070M	223187	Filter Cartridge F070H2	CC1189456	Filter Cartridge F070A2	CC1189439

<b>CHB-AIR PLUS PORTABLE BREATHING AIR FILTRATION SYSTEMS</b>						
FILTER TYPE	ELEMENT TYPE (FM)	ELEMENT NO	ELEMENT TYPE (F-H2M)	ELEMENT NO	ELEMENT TYPE (F-A2)	ELEMENT NO
CHB-AIR plus	Filter Cartridge F007M	223182	Filter Cartridge F007H2	CC1189441	Filter Cartridge F007A2	CC1189354

<b>CH-PP SERIES PAINTING AIR FILTRATION SYSTEMS</b>								
FILTER TYPE	ELEMENT TYPE (FM)	ELEMENT NO	ELEMENT TYPE (F-S)	ELEMENT NO	ELEMENT TYPE (F-A)	ELEMENT NO	ELEMENT TYPE (CKL-PP)	ELEMENT NO
CH-PP-107							Filter Cartridge F007-CKL-PP	CC1189457
CH-PP-110							Filter Cartridge F010-CKL-PP	CC1189458
CH-PP-207	Filter Cartridge F007M	223182					Filter Cartridge F007-CKL-PP	CC1189457
CH-PP-210	Filter Cartridge F010M	223183					Filter Cartridge F010-CKL-PP	CC1189458
CH-PP-307	Filter Cartridge F007M	223182	Filter Cartridge F007S	223192			Filter Cartridge F007-CKL-PP	CC1189457
CH-PP-310	Filter Cartridge F010M	223183	Filter Cartridge F010S	223193			Filter Cartridge F010-CKL-PP	CC1189458
CH-PP-407	Filter Cartridge F007M	223182	Filter Cartridge F007S	223192	Filter Cartridge F007A	223212		
CH-PP-410	Filter Cartridge F010M	223183	Filter Cartridge F010S	223193	Filter Cartridge F010A	223213		
CH-PP-507	Filter Cartridge F007M	223182	Filter Cartridge F007S	223192				
CH-PP-510	Filter Cartridge F010M	223183	Filter Cartridge F010S	223193				
CH-PP-607	Filter Cartridge F007M	223182	Filter Cartridge F007S	223192				
CH-PP-610	Filter Cartridge F010M	223183	Filter Cartridge F010S	223193				

FILTER ELEMENTS MUST BE REPLACED AT LEAST EVERY 12 MONTHS



## BROOMWADE CHNP 3 - 400 NITROGEN GENERATORS SERVICE SCHEDULE

		DAILY <sup>†</sup>	EVERY 2000 HOURS OR 3 MONTHS <sup>†</sup>	EVERY 4000 HOURS OR 6 MONTHS <sup>†</sup>	EVERY 8000 HOURS OR 12 MONTHS <sup>†</sup>	EVERY 16000 HOURS OR 24 MONTHS <sup>†</sup>	EVERY 24000 HOURS OR 36 MONTHS <sup>†</sup>	EVERY 40000 HOURS OR 60 MONTHS <sup>†</sup>
	Generator	Check the status indicators located on the front panel.	•					
	System	Check the inlet air quality		•	•	•	•	•
	Generator	Check for air leaks		•	•	•	•	•
	Generator	Check the pressure gauges during purging for excessive back pressure		•	•	•	•	•
	Generator	Check the condition of the electrical supply cables and conduits		•	•	•	•	•
	Generator	Check oxygen sensor(s) and calibrate if necessary		Δ	Δ	Δ	Δ	Δ
	Generator	Check for cyclic operation			•	•	•	•
A	Filtration	Replace Exhaust silencer and filter element(s) Recommended Service A			†	†	†	†
B	Generator	Replace Oxygen sensor(s) Recommended Service B				†	†	†
C	Generator	Replace control valves Recommended Service C					†	†
D	Generator	Replace cylinder and solenoid valves Recommended Service D						†

<sup>†</sup> Maintenance time intervals are based on operating hours or calendar date, whichever occurs first. • Performed by the operator Δ Essential procedure - Service personnel only  
<sup>†</sup> Essential maintenance - Service personnel only

## KITS FOR CHNP NITROGEN GENERATORS

	KIT PART NUMBER		
A	CC1182786	Silencer CHNP 110-250	
	CC1182787	Silencer CHNP 300-400	
D	CC1182778	CHNP-GEN 05-15/12	Silencer, cartridges
	CC1182779	CHNP-GEN 20-35/12	Silencer, cartridges
	CC1182780	CHNP-GEN 60-100/12	Silencer, cartridges
	CC1182781	CHNP-GEN 200/12	Silencer, cartridges
	CC1182782	CHNP-GEN 300/12	Silencer, cartridges
	CC1182783	CHNP-GEN 400/12	Silencer, cartridges
E	CC1182789	CHNP-GEN 03/48	Valve, silencers, adsorbent
	CC1182790	CHNP-GEN 05/48	Valve, silencers, adsorbent
	CC1182792	CHNP-GEN 10/48	Valve, silencers, adsorbent
	CC1182794	CHNP-GEN 15/48	Valve, silencers, adsorbent
	CC1182795	CHNP-GEN 20/48	Valve, silencers, adsorbent
	CC1182797	CHNP-GEN 25/48	Valve, silencers, adsorbent
	CC1182798	CHNP-GEN 35/48	Valve, silencers, adsorbent
	CC1182800	CHNP-GEN 50/48	Valve, silencers, adsorbent
	CC1182801	CHNP-GEN 65/48	Valve, silencers, adsorbent
	CC1182803	CHNP-GEN 100/48	Valve, silencers, adsorbent
	CC1182804	CHNP-GEN 150/48	Valve, silencers, adsorbent
	CC1182805	CHNP-GEN 200/48	Valve, silencers, adsorbent
	CC1182807	CHNP-GEN 250/48	Valve, silencers, adsorbent
CC1182808	CHNP-GEN 300/48	Valve, silencers, adsorbent	
CC1182810	CHNP-GEN 400/48	Valve, silencers, adsorbent	
TBA	Oxygen Analyzer 0-1.000 ppm	Service Kit	
TBA	Oxygen Analyzer 0-25%	Service Kit	

## SERVICE KITS FOR LEGACY PRODUCTS

MODEL	BASIC	STANDARD	ADVANCED
KA2-KA5	CC1089648	CC1089649	CC1089650
KA6	CC1089648	CC1125182	CC1125184
KA7 Plus	CC1089652	CC1125190	CC1125192
KSA11-KSA15	CC1089656	CC1089657	CC1089658
KSA18-KSA22	CC1089661	CC1089662	CC1089663
KSA 30	CC1090691	CC1121434	CC1121435
KSA 37	-	CC1121437	CC1121438
KSA55-KSA75	CC1154032	CC1154033	CC1154034
KS97	CC1090695	CC1090696	CC1090697
KSV11-KSV15	CC1089656	CC1089657	CC1089658
KSV18-KSV22	CC1089661	CC1089662	CC1089663
KSV30	CC1090691	CC1121434	CC1121435
KSV37-KSV45	-	CC1121437	CC1121438
KSV55-KSV75	CC1154032	CC1154035	CC1154036
KSB15-KSB22	-	CC1178518	CC1180296
KBV15-KBV22	-	CC1178518	CC1180296



# SALES CONDITIONS & PRICES

## Prices are valid for orders received on or after 1st June 2019

Prices shown are in the currency indicated ex-works (Incoterms 2000)  
Lonate, Pozzolo, Italy with the following exceptions:

- Vane & Portable Compressors  
- Redditch, UK
- Scroll Oil-Free Compressors  
- Simmern, Germany
- Spares Parts  
- Ghent, Belgium

In the case of a discrepancy in price, the BroomWade system is the system of record containing the correct price.

Individual quotations and orders are subject to the standard terms and conditions.

The products contained within the price list are manufactured in compliance with EU directives and other national standards.

BroomWade reserve the right to make changes to the design and execution and accept no liability for errors or misprints.

BroomWade reserves the right to modify these prices at any time providing 30 days written notification.

Technical details in price book are for reference only and subject to change. For full technical details and in case of discrepancy the technical data sheets contain the correct information.

## Contact

[sales@broomwade.com](mailto:sales@broomwade.com)

for sales requests, enquiries & quotations

[service@broomwade.com](mailto:service@broomwade.com)

for all aftermarket requests

[orders@broomwade.com](mailto:orders@broomwade.com)

for orders

[customerfeedback@broomwade.com](mailto:customerfeedback@broomwade.com)

customer feedback

Website: [www.broomwade.com](http://www.broomwade.com)



# Notes

A series of horizontal lines for writing notes, with a decorative wavy pattern at the bottom.

# Notes

A series of horizontal lines for writing notes, with a decorative wavy pattern on the left side.

Notes

Lined writing area consisting of 20 horizontal lines. A decorative pattern of overlapping wavy lines is present in the bottom right quadrant, extending from the left edge towards the right and bottom corners.

COMPRESSED AIR SOLUTIONS

**BroomWade**

## YOUR COMPRESSED AIR PARTNER



BroomWade's piston compressor range is designed to cover all the possible professional uses of compressed air. Our piston compressors come in various forms and sizes, providing a truly complete range of choices.



BroomWade stationary rotary screw compressors, both fixed and variable speed drive, are the answer to the needs of small and medium-sized companies.



A modern production system and process demands increased levels of air quality. Our complete Air Treatment Range ensures product quality and efficient operation.



BroomWade also design and manufacture an enviable range of Rotary Scroll, Rotary Vane and Portable Rotary Screw compressors. All designed to provide efficiency and reliability in the most demanding applications and conditions, these compressors set new standards.

[www.broomwade.com](http://www.broomwade.com)

For additional information please contact your local representative. Specifications subject to change without notice.